



Model 475

Enclosure Dimensions



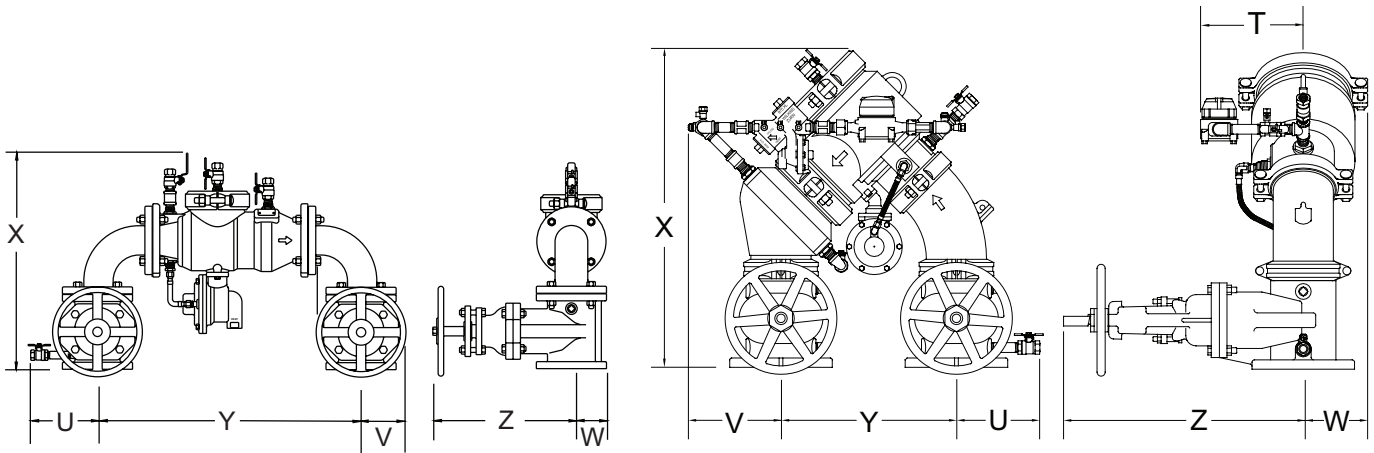
475 (2-1/2" - 3")



475 (4" - 10")



475DA (4" - 10")



Dimensions & Weights (do not include pkg.)

MDL SIZE	DIMENSIONS (approximate)																					
	U		V		X		X WITH BUTTERFLY VALVES		Y		Z OS&Y OPEN		Z OS&Y CLOSED		Z NRS GATES		Z WITH BUTTERFLY VALVES		T		W	
	in.	mm	in.	mm	in.	mm	in.	mm	in.	mm	in.	mm	in.	mm	in.	mm	in.	mm	in.	mm	in.	mm
2 1/2"	7	178	4	102	22 1/4	565	n/a	n/a	26 1/4	667	17 3/4	451	15 3/8	391	11 1/2	292	n/a	n/a	10	254	4 1/2	114
3"	8	203	5	127	23 1/4	591	n/a	n/a	27 1/4	692	20 1/4	514	17	432	12 3/4	324	n/a	n/a	10	254	4 1/2	114
4"	8	203	11	279	31	787	28 3/4	730	18 5/16	465	22 3/4	578	18 1/4	464	14 3/4	375	8 1/2	216	10 1/2	267	5	127
6"	10	254	11	279	35 1/2	902	32	813	18 11/16	475	30 1/2	775	24 1/4	616	19	483	10 1/2	267	11	279	7	178
8"	11	279	10	254	46	1168	42.5	1078	29	737	37 3/4	959	29 1/4	743	22 1/2	572	13	330	12	305	10	254
10"	12	305	10	254	48	1219	45	1143	29	737	45 3/4	1162	35 3/8	899	26 1/2	673	16	406	12	305	10	254