



Model 950XLT

Top Access Double Check Valve Assembly

Application

Designed for installation on water lines to protect against both backsiphonage and backpressure of polluted water into the potable water supply. A test cock plug is provided to protect against fouling caused by insects, dirt and debris. Assembly shall provide protection where a potential non-health hazard exists. For non-potable applications only.

Standards Compliance

(Unless otherwise noted, applies to 3/4" thru 2" Horizontal)

- ASSE® Listed 1015 (Vertical flow-up: 1 1/4" thru 2")
- cUPC® Listed
- AWWA Compliant C510
- CSA® Certified B64.5 (Vertical flow-up: 1 1/2" & 2")
- NYC MEA 426-89-M VOL 3
- Approved by the Foundation for Cross Connection Control and Hydraulic Research at the University of Southern California (950XLTU: 3/4" & 1" Horizontal)

Materials

Main valve body	Cast Bronze ASTM B 584
Access covers	Cast Bronze ASTM B 584
Fasteners	Stainless Steel, 300 Series
Elastomers	Silicone
	Buna Nitrile
Polymers	Noryl™
Springs	Stainless steel, 300 series
Test cock cover	Plastic
Ball valve handles	Stainless steel

Features

Sizes: 3/4", 1", 1 1/4", 1 1/2", 2"	175 PSI
Maximum working water pressure	180°F
Maximum working water temperature	350 PSI
Hydrostatic test pressure	ANSI B1.20.1
End connections Threaded	



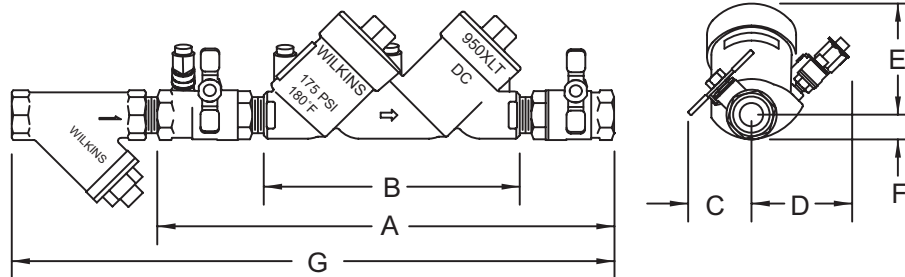
Options

(Suffixes can be combined)

- L - less ball valves
- FT - with "Fast Test" test cocks
- U - with union ball valves (3/4" & 1")
- S - with bronze "Y" type strainer

Accessories

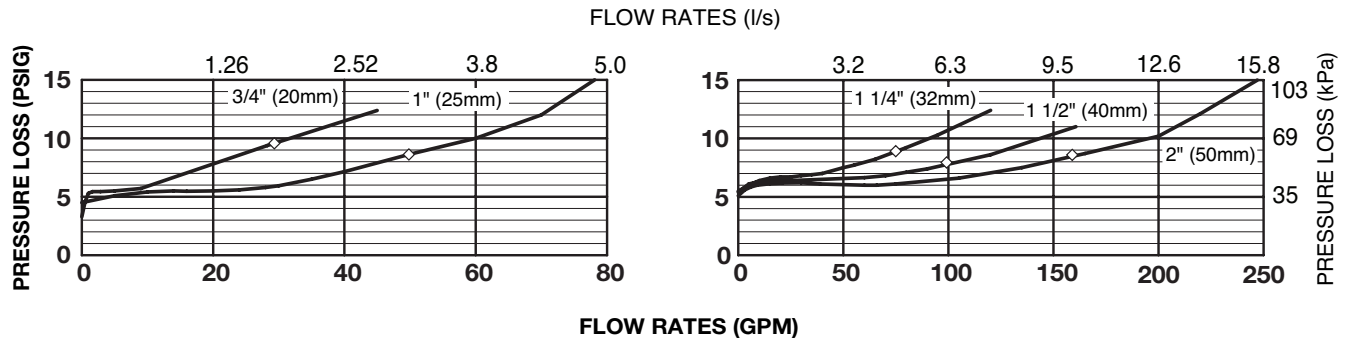
- Repair kit (rubber only)
- Thermal expansion tank (Model XT)
- QT-SET Quick Test Fitting Set



Dimensions & Weights (do not include pkg.)

MODEL SIZE	DIMENSIONS (approximate)																WEIGHT				
	A		A UNION BALL VALVES		B LESS BALL VALVES		C		D		E		F		G		LESS BALL VALVES		WITH BALL VALVES		
	in.	mm	in.	mm	in.	mm	in.	mm	in.	mm	in.	mm	in.	mm	in.	mm	lbs.	kg	lbs.	kg	
3/4	20	13	330	14 5/16	364	8 3/4	222	2 3/8	60	2 5/16	59	3 5/16	84	3/4	19	17 5/8	448	4	1.8	6	2.7
1	25	14	356	15 3/4	400	8 3/4	222	2 1/2	64	2 5/16	59	3 5/16	84	3/4	19	19 3/4	502	8	3.6	12	5.4
1 1/4	32	19 5/8	499	21 5/8	549	13 3/4	349	4	102	3 5/8	92	4 3/8	111	1 5/16	33	24 3/4	629	16	7.3	22	10
1 1/2	40	20 5/16	516	22 5/16	567	13 3/4	349	5 3/8	137	3 5/8	92	4 3/8	111	1 5/16	33	25 15/16	659	16	7.3	22	10
2	50	21 3/8	543	23 1/4	591	13 3/4	349	5 13/16	148	3 5/8	92	4 3/8	111	1 5/16	33	28 5/16	719	17	7.7	29	13.2

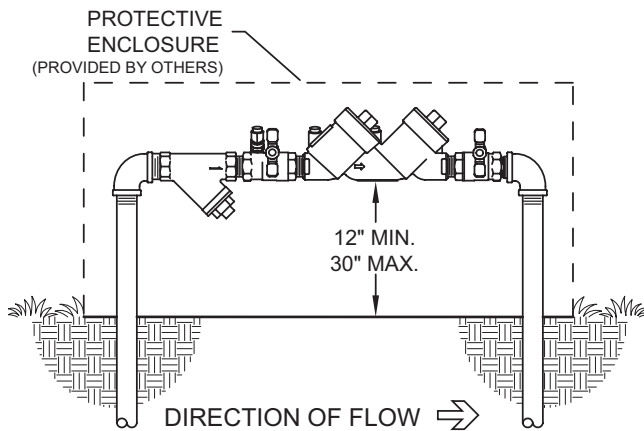
MODEL 950XLT 3/4", 1", 1 1/4", 1 1/2" & 2" (STANDARD & METRIC)



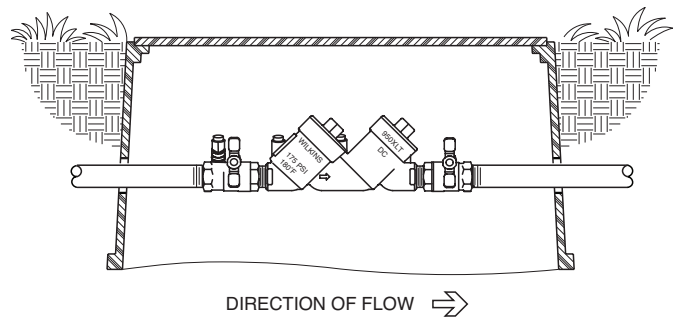
TYPICAL INSTALLATION

Local codes shall govern installation requirements. To be installed in accordance with the manufacturer's instructions and the latest edition of the Uniform Plumbing Code. Unless otherwise specified, the assembly shall be mounted at a minimum of 12" (305mm) and a maximum of 30" (762mm) above adequate drains with sufficient side clearance for testing and maintenance. If installed below grade, be certain adequate drainage is provided to prevent the device from being submerged.

Capacity thru Schedule 40 Pipe				
Pipe size	5 ft/sec	7.5 ft/sec	10 ft/sec	15 ft/sec
1/8"	1	1	2	3
1/4"	2	2	3	5
3/8"	3	4	6	9
1/2"	5	7	9	14
3/4"	8	12	17	25
1"	13	20	27	40
1 1/4"	23	35	47	70
1 1/2"	32	48	63	95
2"	52	78	105	167



OUTDOOR INSTALLATION



PIT INSTALLATION

SPECIFICATIONS

The Double Check Type Backflow Preventer shall be ASSE Listed 1015, rated to 180°F and supplied with full port ball valves. The main body and access covers shall be bronze (ASTM B 584), the seat ring and all internal polymers shall be Noryl™ and the seat disc elastomers shall be SILICONE. The first and second check shall be located at a 45° angle and accessible for maintenance from the top of the device, without removing the device from the line. Each check shall have separate access covers and test cocks shall be accessible from the top of the device. Test cocks shall be protected from debris by a plug. For use in non-potable applications only. The Double Check Type Backflow Preventer shall be a ZURN WILKINS Model 950XLT.