



Model 975XLOSY

Reduced Pressure Principle Assembly with OS&Y Gate Valves

Application

Designed for installation on fire protection water lines to protect against both backsiphonage and backpressure of contaminated water into the potable water supply. The Assembly provides protection where a potential health hazard exists.

Standards Compliance

- UL® Classified

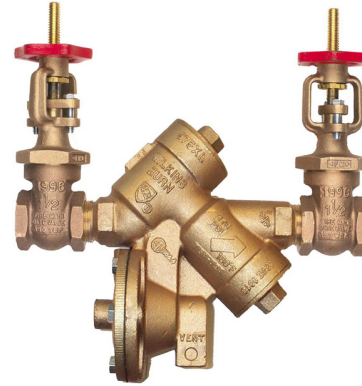
Materials

Main valve body Cast bronze, ASTM B 584
 Fasteners Stainless steel, 300 Series
 Elastomers Silicone (FDA approved)
 Buna nitrile (FDA approved)
 Polymers Noryl™, NSF® Listed
 Springs Stainless steel, 300 Series

Features

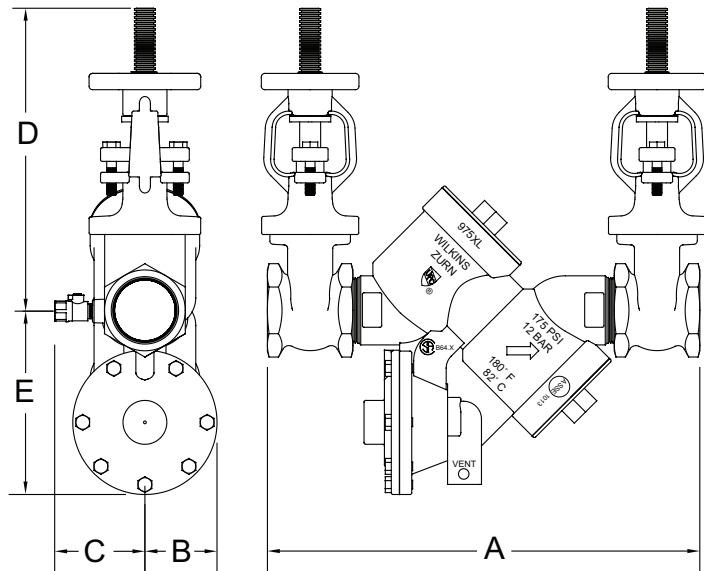
Sizes: 3/4", 1", 1 1/4", 1 1/2", 2"
 Maximum working water pressure 175 psi
 Maximum working water temperature 180° F
 End connections ANSI B1.20.1

Relief Valve discharge port:
 3/4" - 1" - 0.63 sq. in.
 1 1/4" - 2" - 1.19 sq. in.



Accessories

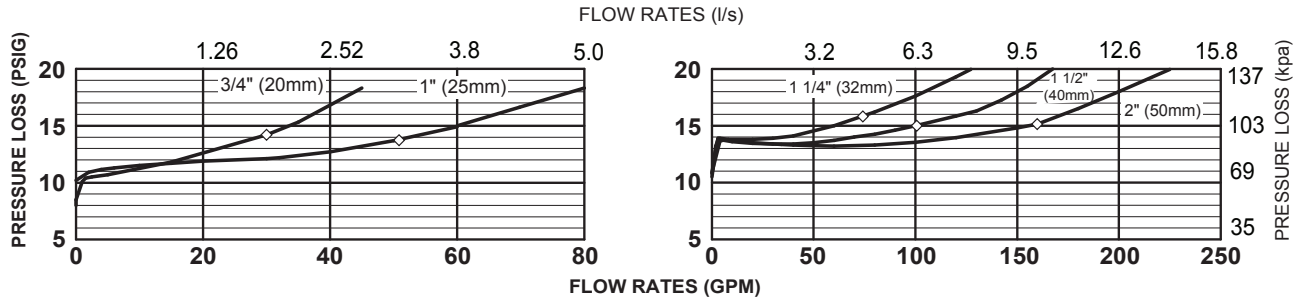
- Repair kit (rubber only)
- Air gap (Model AG)
- Water thermal expansion tank (Model XT)
- Relief valve (P1500)
- QT-SET Quick Test Fitting Set



Dimensions & Weights (do not include pkg.)

SIZE		DIMENSION (approximate)												WEIGHT WITH GATE VALVES	
		A		B		C		D OPEN		D CLOSED		E			
in.	mm	in.	mm	in.	mm	in.	mm	in.	mm	in.	mm	in.	mm	lbs.	kg
3/4	20	12 1/2	318	2 1/8	54	3	76	7 1/2	191	6 1/4	159	5	127	19	8.6
1	25	12 3/4	324	2 1/8	54	3	76	8	203	6 1/2	165	5	127	20	9.1
1 1/4	32	16 1/2	419	2 3/4	70	3 1/2	89	9 1/2	241	7 5/8	194	6 3/4	172	38	17.3
1 1/2	40	16 3/4	426	2 3/4	70	3 1/2	89	9 3/4	248	7 13/16	198	6 3/4	172	43	19.5
2	50	17	432	2 3/4	70	3 1/2	89	11 1/4	286	8 15/16	227	6 3/4	172	58	26.3

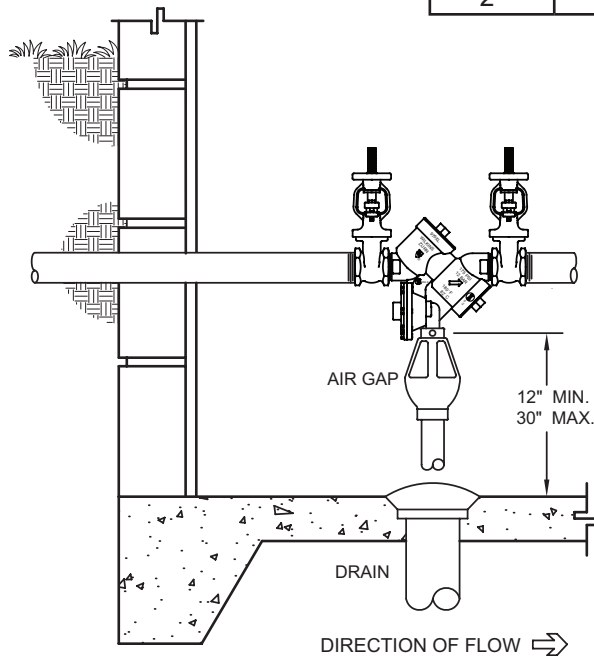
MODEL 975XLOS Y 3/4", 1", 1 1/4", 1 1/2" & 2" (STANDARD & METRIC)



Typical Installation

Local codes shall govern installation requirements. Unless otherwise specified, the assembly shall be mounted in accordance with the manufacturers' instructions and the latest edition of the Uniform Plumbing Code. Assembly shall be installed with adequate drain and sufficient side clearance for testing and maintenance. The installation shall be made so that no part of the unit can be submerged or where relief valve discharge could cause damage.

Capacity thru Schedule 40 Pipe				
Pipe size	5 ft/sec	7.5 ft/sec	10 ft/sec	15 ft/sec
1/8"	1	1	2	3
1/4"	2	2	3	5
3/8"	3	4	6	9
1/2"	5	7	9	14
3/4"	8	12	17	25
1"	13	20	27	40
1 1/4"	23	35	47	70
1 1/2"	32	48	63	95
2"	52	78	105	167



TYPICAL INDOOR INSTALLATION

Specifications

The Reduced Pressure Principle Backflow Preventer shall be UL® Classified, and supplied with full port, UL® LISTED OS&Y gate valves. The main body and access covers shall be cast bronze (ASTM B 584), the seat ring and all internal polymers shall be NSF® Listed Noryl™ and the seat disc elastomers shall be silicone. The first and second checks shall be accessible for maintenance without removing the relief valve or the entire device from the line. If installed indoors, the installation shall be supplied with an air gap adapter, adequate drain and integral monitor switch. The Reduced Pressure Principle Backflow Preventer shall be a ZURN WILKINS Model 975XLOS Y.