



# Model Z1399-BFP

## Hose Bibb Vacuum Breaker

### Application

Designed for installation on water lines such as service sinks, laundry tubs and hose bibbs to protect against backsiphonage of polluted water into the potable water supply. A break-away set screw is included to prevent unauthorized removal. Assembly shall provide protection where a potential health hazard does not exist.

### Standards Compliance

- ASSE® Listed 1052

### Materials

Valve body Brass, ASTM B 16  
 Elastomers Buna Nitrile, FDA 21, 177.2600  
 Internals Stainless steel, 300 series  
 Brass, ASTM B 16  
 Polymers Acetal (Delrin™), NSF Listed

### Options

- CH - with chrome finish (Z1399-BFP-PC)

### Accessories

- Hose bibb (Model 195)

### Features

Sizes: 3/4"

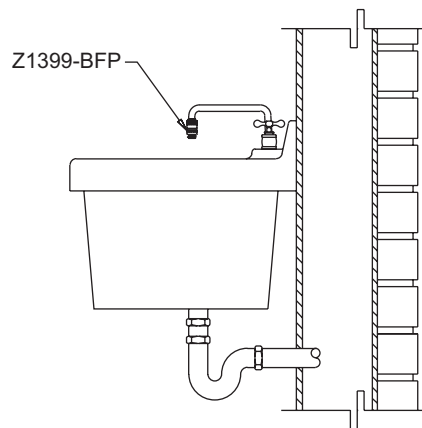
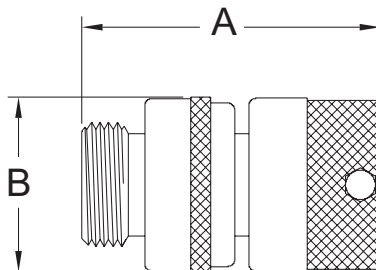
Maximum working water pressure 125 PSI  
 Maximum working water temperature 180°F  
 Thread connection Hose Thread  
 ANSI B1.20.7



**Z1399-BFP**

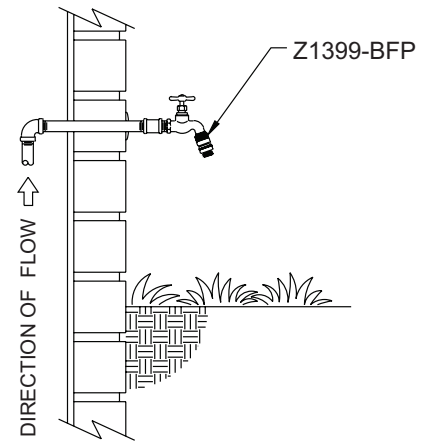
### Dimensions & Weights (do not include pkg.)

MODEL	DIMENSIONS (approximate)				WEIGHT	
	in.	mm	in.	mm	lbs.	kg
Z1399-BFP	2 9/16	65	1 1/2	38	0.5	0.2



**TYPICAL SERVICE SINK INSTALLATION**

### Typical Installation



**TYPICAL HOSE BIBB INSTALLATION**