

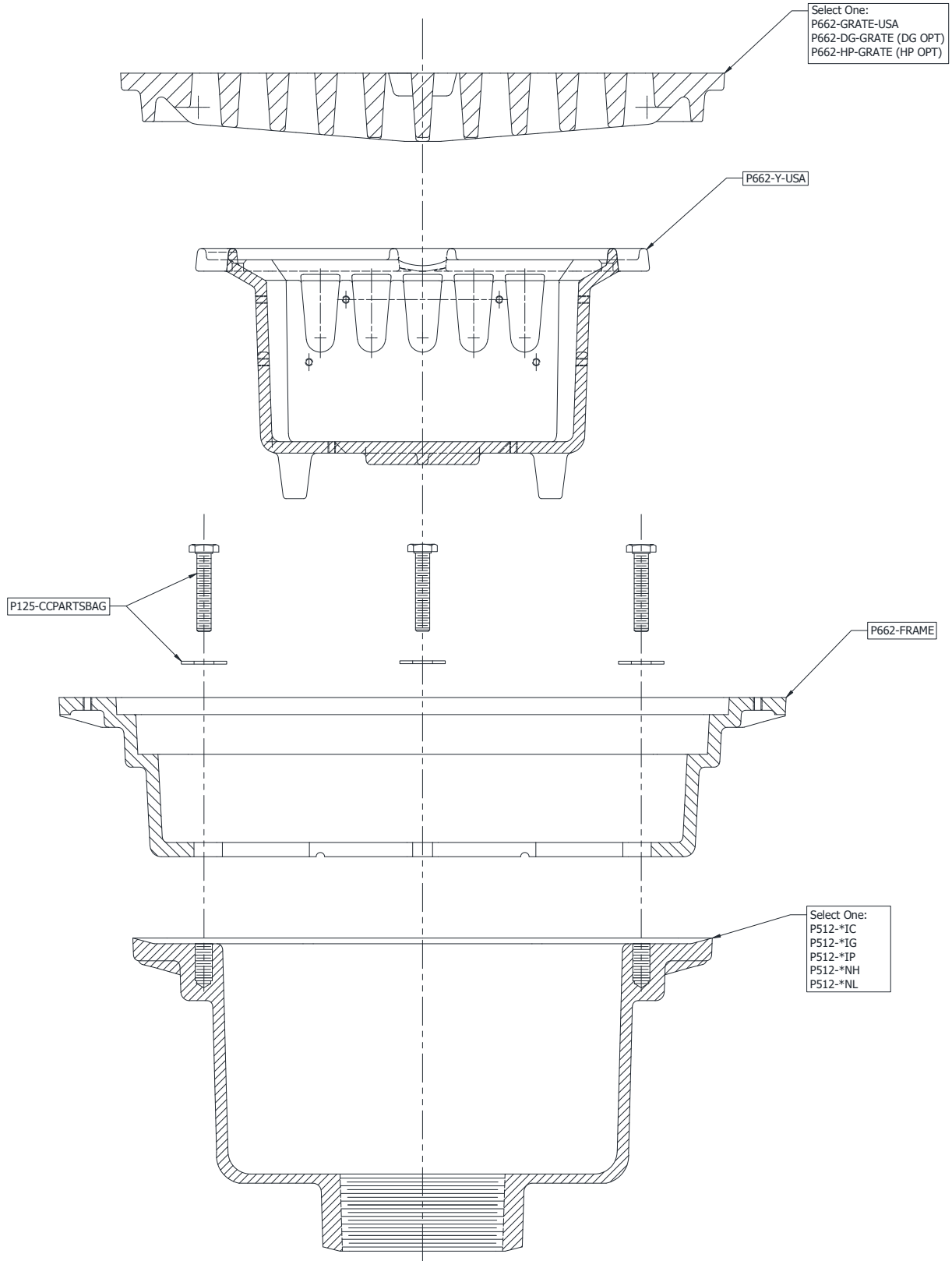


COMMON COMPONENTS

Z662-DG-HP

16 [406] HEAVY-DUTY DRAIN W/ DURESIST GRATE/HEEL PROOF GRATE

Dimensional Data (inches and [mm]) are Subject to Manufacturing Tolerances and Change Without Notice



* Customer to Specify Size

Zurn Industries, LLC | Specification Drainage Operation
 1801 Pittsburgh Avenue, Erie, PA U.S.A. 16502 · Ph. 855-663-9876, Fax 814-454-7929
 In Canada | **Zurn Industries Limited**
 3544 Nashua Drive, Mississauga, Ontario L4V 1L2 · Ph. 905-405-8272, Fax 905-405-1292
www.zurn.com

Rev. A
 Date: 10/01/2018
 C.N. No. 140666
 Prod. | Dwg. No. FD115

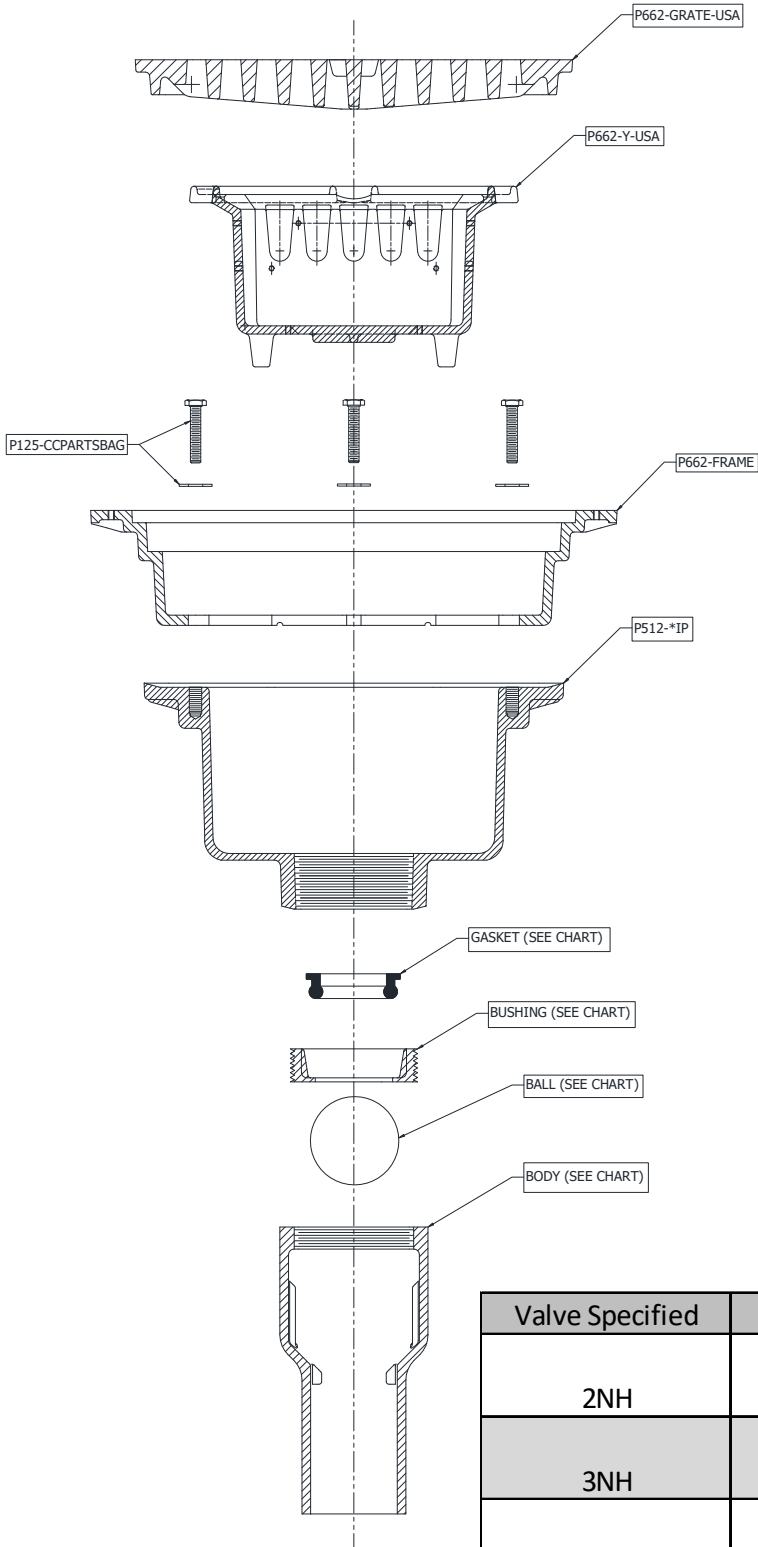
COMMON COMPONENTS



Z662-V

16 [406] HEAVY-DUTY DRAIN WITH BACKWATER VALVE

Dimensional Data (inches and [mm]) are Subject to Manufacturing Tolerances and Change Without Notice



Valve Specified	Gasket	Bushing	Ball	Body
2NH	P1099-GASKET-2-3	P1099-BUSHING-2-3	P1099-2-3-BALL-USA	P1099-2NH-BODY
3NH	P1099-GASKET-2-3	P1099-BUSHING-2-3	P1099-2-3-BALL-USA	P1099-3NH-BODY
4NH	P1099-GASKET-4	P1099-BUSHING-4	P1099-4-BALL-USA	P1099-4NH-BODY

* Customer to Specify Size

Zurn Industries, LLC | Specification Drainage Operation
 1801 Pittsburgh Avenue, Erie, PA U.S.A. 16502 · Ph. 855-663-9876, Fax 814-454-7929
 In Canada | **Zurn Industries Limited**
 3544 Nashua Drive, Mississauga, Ontario L4V 1L2 · Ph. 905-405-8272, Fax 905-405-1292
www.zurn.com

Rev. A
 Date: 10/01/2018
 C.N. No. 140666
 Prod. | Dwg. No. FD115