



Model F49

Fire Butterfly Valves



Application

Zurn F49 Fire Butterfly Valves provide a slow opening anti-waterhammer adjustment to control waterflow. An integral supervisory tamper switch provides a fire alarm control signal when the valve is moved from the open position.

Standards Compliance

- UL ® Listed
- C-UL ® Listed
- FM ® Approved

Features

Maximum Pressure: 300 PSI
 Sizes: 2-1/2", 3", 4", 6", 8", 10", 12"

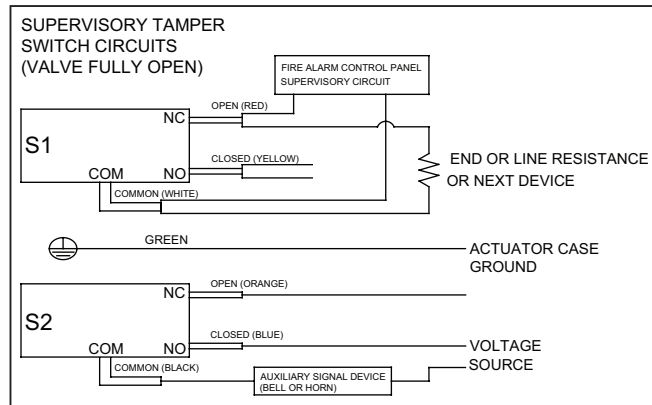
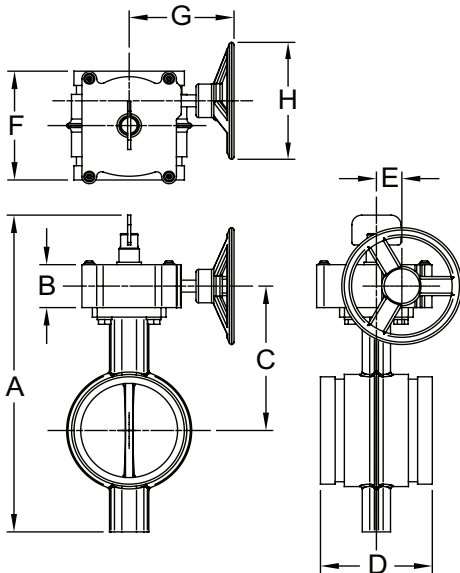
Materials

Body	ASTM A-536 Nylon-11 Coated
Disc	ASTM A-536 EPDM Encapsulated
Upper & Lower Stems	AISI 420-SS AISI 410-SS
Housing	ASTM A-536
Hand Wheel	ASTM A-536
Flag Indicator	ASTM A-536
Shear Pin	ASTM A-510
Segment Gear	ASTM B-148 or B-584
Housing Gasket	EPDM Grade E
O-Rings (All)	EPDM Grade E



4-F49

Dimensions & Weights (do not include pkg.)



MODEL	DIMENSIONS (approximate)								Weight (lb.)
	A (in.)	B (in.)	C (in.)	D (in.)	E (in.)	F (in.)	G (in.)	H (in.)	
212-F49	11.75	2.36	5.31	3.81	0.98	5.48	5.31	5.04	11.8
3-F49	12.31	2.36	5.59	3.80	0.98	5.49	5.31	5.04	12.7
4-F49	13.92	2.36	6.90	4.56	0.98	5.75	5.31	5.04	15.7
6-F49	17.11	2.36	8.23	5.23	0.98	6.11	7.60	8.66	28.5
8-F49	19.06	2.36	9.21	5.83	0.98	6.42	7.60	8.66	43.5
10-F49	20.49	2.36	9.69	6.26	2.95	6.85	7.81	8.86	62.80
12-F49	23.54	2.80	11.36	6.50	3.43	7.80	7.97	8.86	91.40