

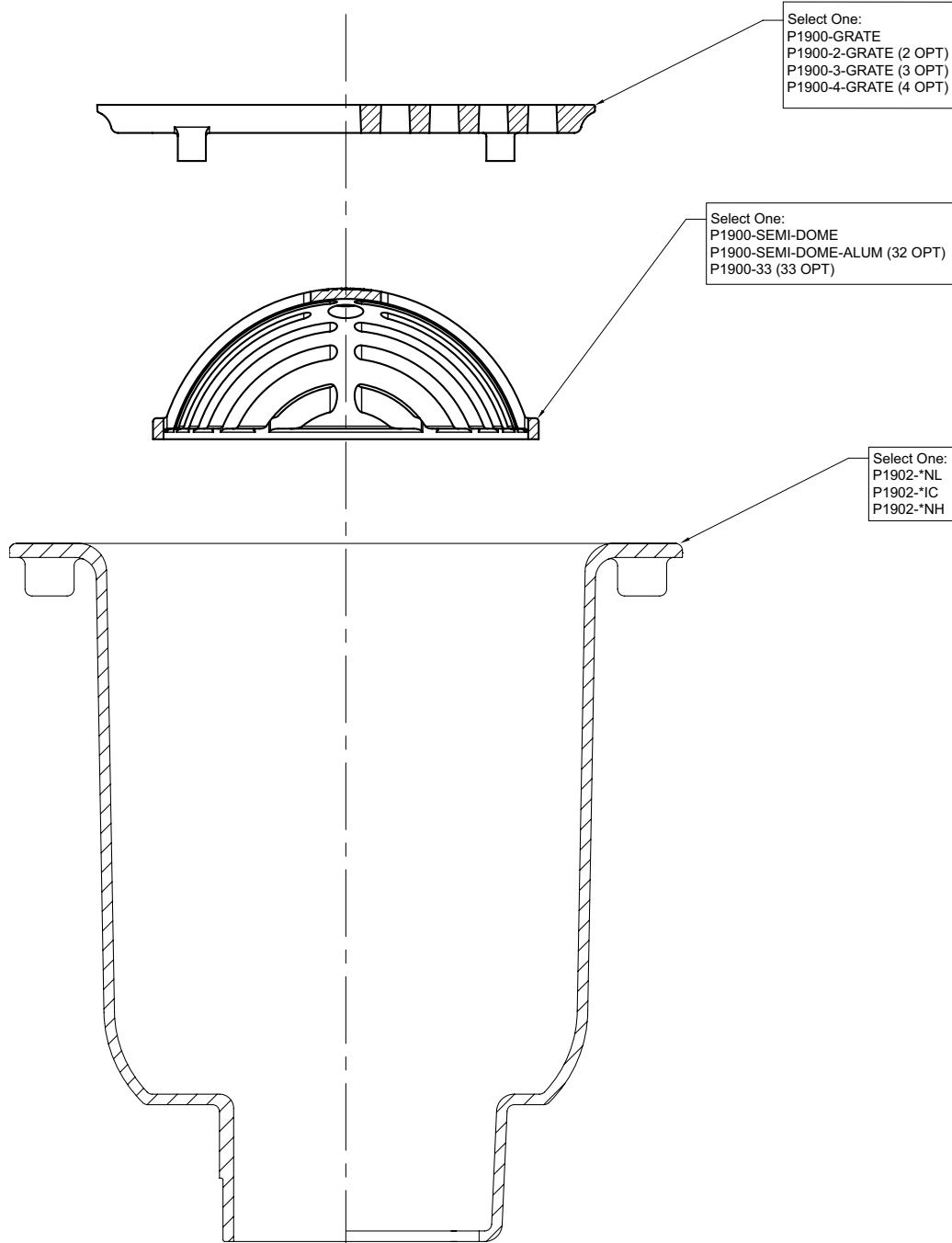


COMMON COMPONENTS

# Z1902-2/3/4-32/33

12X12 [305X305] A.R.E SANI-FLOOR RECEPTOR 10 [254] SUMP DEPTH W/1/2 GRATE, 3/4 GRATE, FULL GRATE W/ OPENING AND ALUMINUM DOME STRAINER, WHITE A.R.C. ANTI SPLASH BOTTOM DOME STRAINER

Design and Dimensional Data (inches and [ mm ]) are Subject to Manufacturing Tolerances and Change Without Notice



\* Customer to Specify Size

**⚠ WARNING:** Cancer and Reproductive Harm - [www.P65Warnings.ca.gov](http://www.P65Warnings.ca.gov)

**⚠ ADVERTENCIA:** Cáncer y daño reproductivo - [www.P65Warnings.ca.gov](http://www.P65Warnings.ca.gov)

**⚠ AVERTISSEMENT:** Cancer et effets néfastes sur la reproduction - [www.P65Warnings.ca.gov](http://www.P65Warnings.ca.gov)

Zurn Industries, LLC | Specification Drainage Operation  
1801 Pittsburgh Avenue, Erie, PA 16502, Ph. 855.663.9876

In Canada | Zurn Industries Limited  
7900 Goreway Drive, Unit 10, Brampton, Ontario L6T 5W6, Ph. 877.892.5216

[www.zurn.com](http://www.zurn.com)

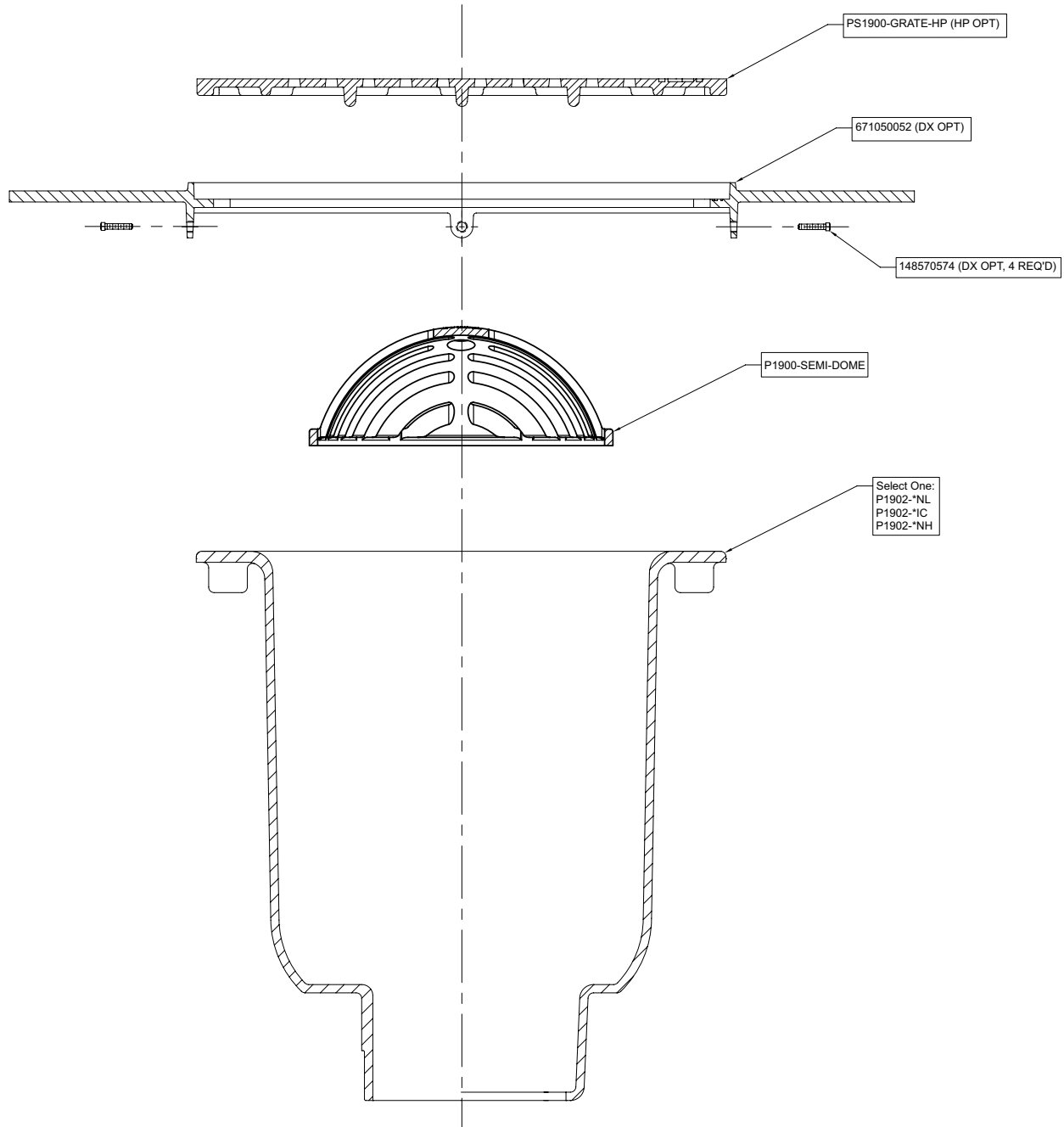
Rev.	B
Date:	01/11/23
C.N. No.	144899
Patent	<a href="http://zurn.com/patents">zurn.com/patents</a>
Prod.   Dwg. No.	FS21



COMMON COMPONENTS  
**ZS1902-DX-HP**

12X12 [305X305] A.R.E SANI-FLOOR RECEPTOR 10 [254] SUMP DEPTH W/ STAINLESS STEEL  
 FRAME AND HEEL-PROOF GRATE AND DEX-O-TEX FLANGE

Design and Dimensional Data (inches and [ mm ]) are Subject to Manufacturing Tolerances and Change Without Notice



\* Customer to Specify Size

- ⚠ **WARNING:** Cancer and Reproductive Harm - [www.P65Warnings.ca.gov](http://www.P65Warnings.ca.gov)
- ⚠ **ADVERTENCIA:** Cáncer y daño reproductivo - [www.P65Warnings.ca.gov](http://www.P65Warnings.ca.gov)
- ⚠ **AVERTISSEMENT:** Cancer et effets néfastes sur la reproduction - [www.P65Warnings.ca.gov](http://www.P65Warnings.ca.gov)

Zurn Industries, LLC | Specification Drainage Operation  
 1801 Pittsburgh Avenue, Erie, PA 16502, Ph. 855.663.9876

In Canada | Zurn Industries Limited  
 7900 Goreway Drive, Unit 10, Brampton, Ontario L6T 5W6, Ph. 877.892.5216

[www.zurn.com](http://www.zurn.com)

Rev.	B
Date:	01/11/23
C.N. No.	144899
Patent	<a href="http://zurn.com/patents">zurn.com/patents</a>
Prod.   Dwg. No.	FS21

Page 2 of 2