

INDEX PAGE for 24" x 24" Wide Grates

 - Click on "Item ID" to go to grate page, 'Back to Index' will return you to this page.

P817-BDC-24X24 Black Acid Resistant Slotted Grate, Ductile Iron
P817-DGC-24X24 Slotted Grate, Ductile Iron
P817-DGF-24X24 Slotted Grate, Ductile Iron
P817-FG-24X24 Fabricated Slotted Grate, Galvanized Steel
P817-FS-24X24 Fabricated Slotted Grate, Stainless Steel
P817-GDC-24X24 Slotted Grate, Galvanized Ductile Iron
P817-GDF-24X24 Slotted Grate, Galvanized Ductile Iron
P817-GG-24X24 Slotted Grate, Fiberglass
P817-PG-24X24 Fabricated Perforated Grate, Galvanized Steel
P817-PS-24X24 Fabricated Perforated Grate, Stainless Steel
P817-RFG-USA-24X24 Reinforced Fabricated Slotted Grate, Galvanized Steel
P817-RFS-USA-24X24 Reinforced Fabricated Slotted Grate, Stainless Steel
P817-RPG-USA-24X24 Reinforced Fabricated Perforated Grate, Galvanized Steel
P817-RPS-USA-24X24 Reinforced Fabricated Perforated Grate, Stainless Steel
P817-RPGR-24X24 Reinforced Fabricated Perforated Grate, Galvanized Steel
P817-RPSR-24X24 Reinforced Fabricated Perforated Grate, Stainless Steel
P817-SBG-24X24 Slotted Bar Grate, Stainless Steel
P817-BG-24X24 Slotted Bar Grate, Galvanized Steel

* Regularly furnished unless otherwise specified.



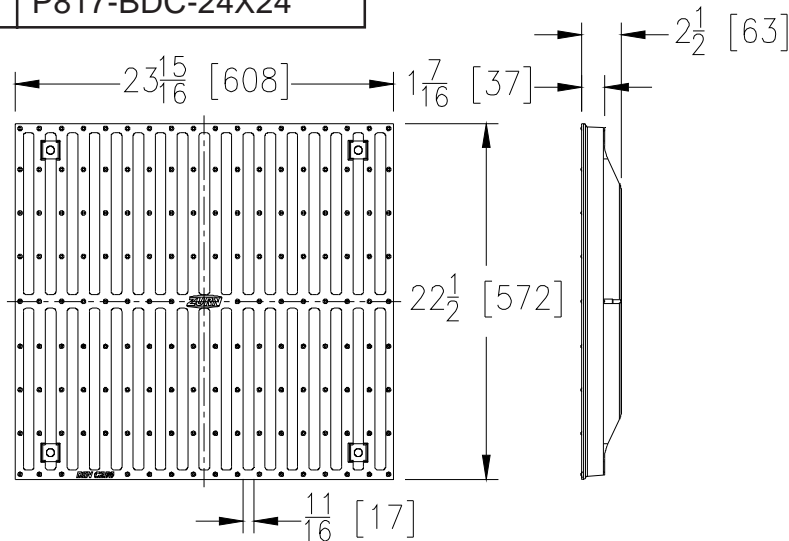
P817-BDC-24X24

24 [610] WIDE SLOTTED GRATE

Dimensional Data (inches and [mm]) are Subject to Manufacturing Tolerances and Change Without Notice

[Back to Index](#)

Please Check	Item No.	Part Number	Item I.D.
✓	1	60332	P817-BDC-24X24



BDC GRATE ENGINEERING SPECIFICATION: The Zurn P817-BDC-24X24 Slotted Grate, Ductile Iron, 23-15/16" [608 mm] wide by 22-1/2" [572 mm] long, weighing 95.8 lbs. [43 kg]. The grate has an open area of 228.8 in² [1476 cm²], DIN Rating of C, ANSI Rating of Heavy-Duty, and H-20 load rated. Ductile Iron conforms to ASTM A536 Grade 80-55-06.

COATING ENGINEERING SPECIFICATION: Black Acid Resistant Coating Tiger Drylac series 49 polyester powder coat "Glossy" finish with the following characteristics: Film Thickness = 2.5-3.5 mils, Glass per ASTM D523 = 80-90+, Cross Cut Tape Test ASTM D3359 Method B=5B, Mandrel Bending Test ASTM D 522=3mm, Impact Test 80in-lb ASTM D2794 = No Appearance of Cracks, Pencil Test ASTM B3363 = 2H, Humidity Resistance 500h ASTM S2247 = Max. Undercutting 1mm No Blistering, Salt Spray Resistant 500h ASTM B117 = Max. Undercutting 1mm No Blistering. Product shall be prepared for coating by one of the following methods: 3 or 5 stage iron phosphate pretreatment wash and rinse or equal, or Complete sandblasting to remove all oils, greases and to etch metal to accept finish coat.

BDC - Slotted Grate	
Material:	Ductile Iron
DIN Rating:	Class C
Weight:	95.8 lbs. [43.4 kg]
Open Area:	228.8 in ² [1476 cm ²]
ANSI Rating:	Heavy-Duty
Application:	Heavy Vehicle & Truck
Slot Width/Hole Size:	11/16" [17.4 mm]
ADA:	No
H-20:	Yes
FAA:	No

* Regularly furnished unless otherwise specified.



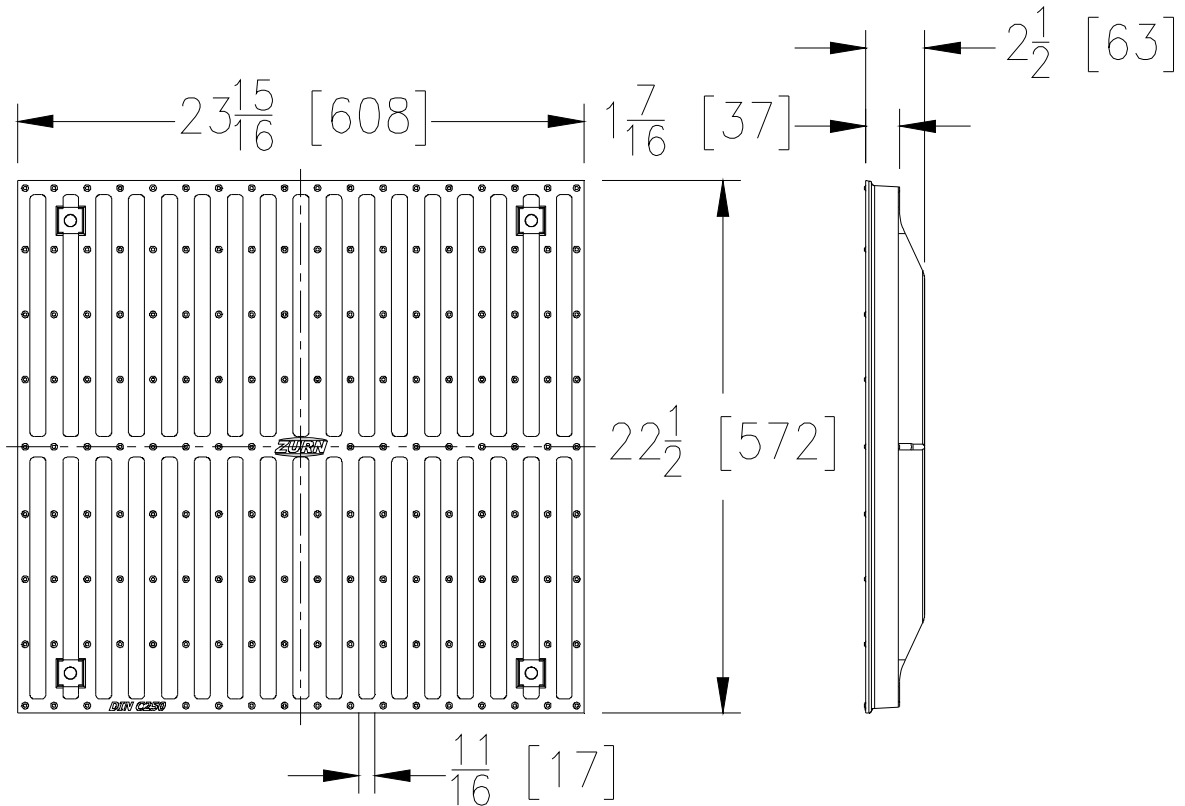
P817-DGC-24X24

24 [610] WIDE SLOTTED GRATE

Dimensional Data (inches and [mm]) are Subject to Manufacturing Tolerances and Change Without Notice

[Back to Index](#)

Please Check	Item No.	Part Number	Item I.D.
✓	2	60332	P817-DGC-24X24



DGC GRATE ENGINEERING SPECIFICATION: The Zurn P817-DGC-24X24 Slotted Grate, Ductile Iron, 23-15/16" [608 mm] wide by 22-1/2" [572 mm] long, weighing 95.8 lbs. [43 kg]. The grate has an open area of 228.8 in² [1476 cm²], DIN Rating of C, ANSI Rating of Heavy-Duty, and H-20 load rated. Ductile Iron conforms to ASTM A536 Grade 80-55-06.

DGC - Slotted Grate	
Material:	Ductile Iron
DIN Rating:	Class C
Weight:	95.8 lbs. [43.4 kg]
Open Area:	228.8 in ² [1476 cm ²]
ANSI Rating:	Heavy-Duty
Application:	Heavy Vehicle & Truck
Slot Width/Hole Size:	11/16" [17.4 mm]
ADA:	No
H-20:	Yes
FAA:	No

* Regularly furnished unless otherwise specified.



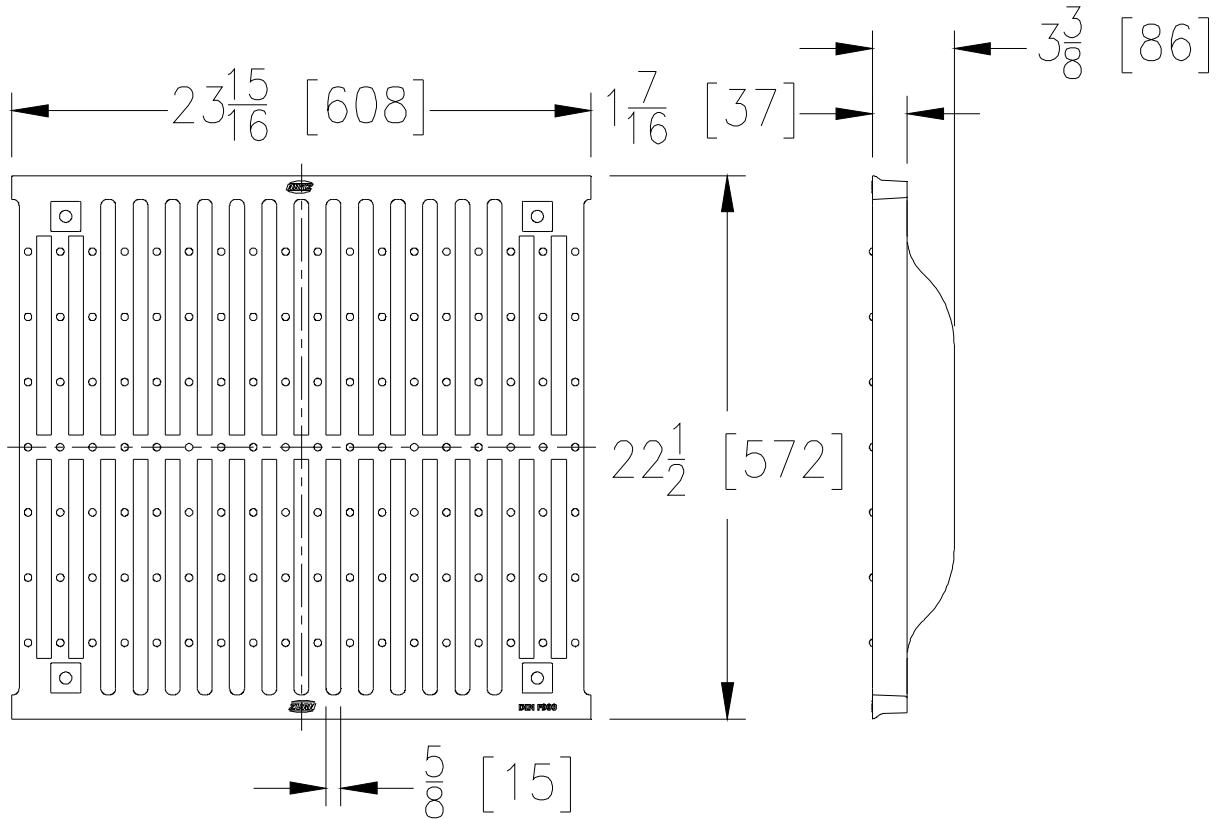
P817-DGF-24X24

24 [610] WIDE SLOTTED GRATE

Dimensional Data (inches and [mm]) are Subject to Manufacturing Tolerances and Change Without Notice

[Back to Index](#)

Please Check	Item No.	Part Number	Item I.D.
✓	3	82310	P817-DGF-24X24



DGF GRATE ENGINEERING SPECIFICATION: The Zurn P817-DGF-24X24 Slotted Grate, Ductile Iron, 23-15/16" [608 mm] wide by 22-1/2" [572 mm] long, weighing 129 lbs. [58.5 kg] The grate has an open area of 153.4 in² [989 cm²], DIN Rating of F, ANSI Rating of Special Duty, H-20 load rated and FAA load rated. Ductile Iron conforms to ASTM A536 Grade 80-55-06.

DGF - Slotted Grate	
Material:	Ductile Iron
DIN Rating:	Class F
Weight:	129 lbs. [58.5 kg]
Open Area:	153.4 in ² [989 cm ²]
ANSI Rating:	Special-Duty
Application:	Dynamic Loads
Slot Width/Hole Size:	5/8" [15.8 mm]
ADA:	No
H-20:	Yes
FAA:	Yes

* Regularly furnished unless otherwise specified.



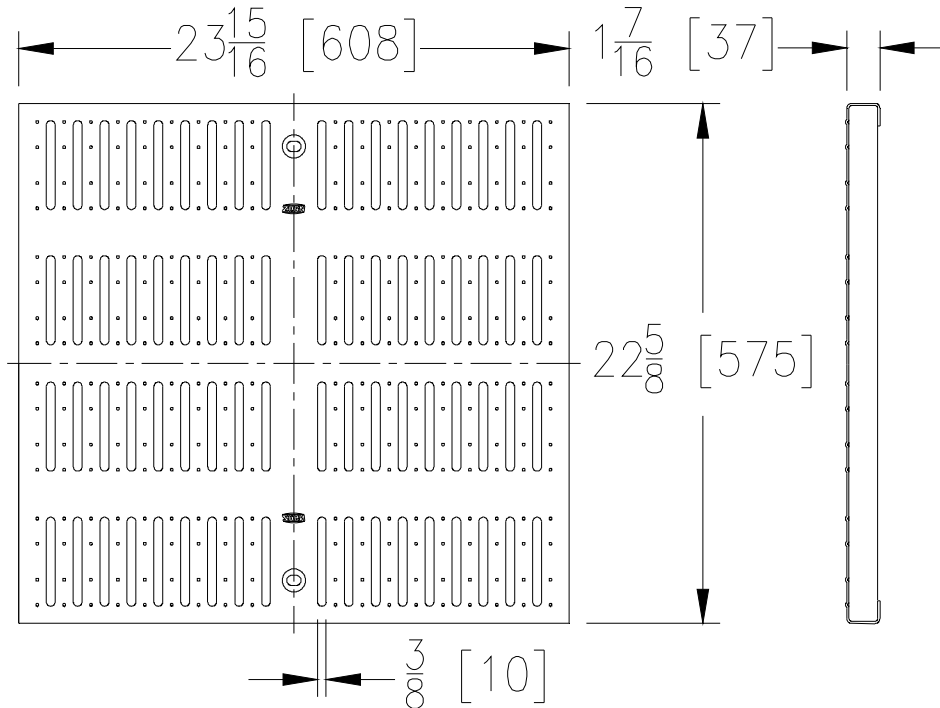
P817-FG-24X24

24 [610] WIDE SLOTTED GRATE

Dimensional Data (inches and [mm]) are Subject to Manufacturing Tolerances and Change Without Notice

[Back to Index](#)

Please Check	Item No.	Part Number	Item I.D.
✓	4	61022	P817-FG-24X24



FG GRATE ENGINEERING SPECIFICATION: The Zurn P817-FG-24X24

Slotted Grate, Galvanized Steel, $23\text{-}15/16$ " [608 mm] wide by $22\text{-}5/8$ " [575 mm] long, weighing 46.2 lbs. [20.9 kg]. The grate has an open area of 101 in² [651 cm²], DIN Rating of A and ANSI Rating of Light-Duty. Carbon steel conforms to ASTM A653, Galvanized Skin conforms to ASTM Specification A653, Galvanized Coating designation G60, minimum spangle.

FG - Slotted Grate	
Material:	Galvanized Steel
DIN Rating:	Class A
Weight:	46.2 lbs. [20.9 kg]
Open Area:	101 in ² [651 cm ²]
ANSI Rating:	Light-Duty
Application:	Decorative
Slot Width/Hole Size:	$3/8$ " [9.5 mm]
ADA:	Yes
H-20:	No
FAA:	No

* Regularly furnished unless otherwise specified.



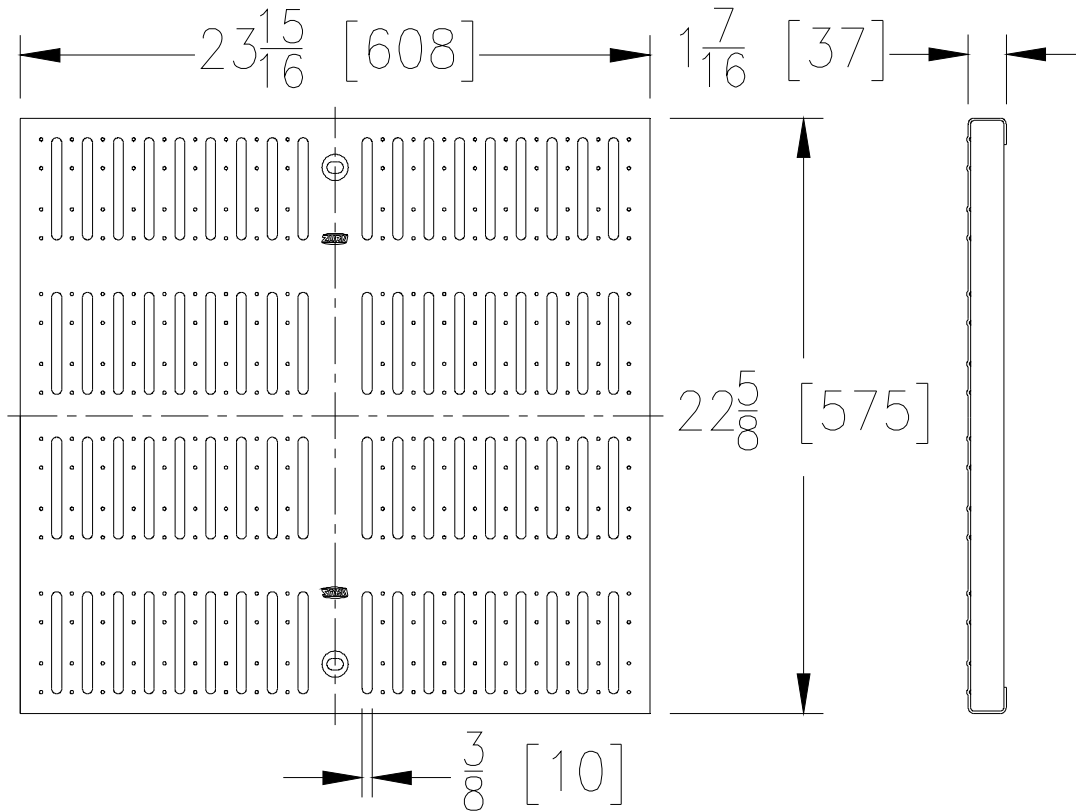
P817-FS-24X24

24 [610] WIDE SLOTTED GRATE

Dimensional Data (inches and [mm]) are Subject to Manufacturing Tolerances and Change Without Notice

[Back to Index](#)

Please Check	Item No.	Part Number	Item I.D.
✓	5	61022	P817-FS-24X24



FS GRATE ENGINEERING SPECIFICATION: The Zurn P817-FS-24X24 Reinforced Slotted Grate, Stainless Steel, 23-15/16" [608 mm] wide by 22-5/8" [575 mm] long, weighing 47.5 lbs. [21.5 kg]. The grate has an open area of 101 in² [651 cm²], DIN Rating of A and ANSI Rating of Light-Duty, stainless steel conforms to ASTM A240 type 304 (or 316 by request).

FS - Slotted Grate	
Material:	Stainless Steel
DIN Rating:	Class A
Weight:	47.5 lbs. [21.5 kg]
Open Area:	101 in ² [651 cm ²]
ANSI Rating:	Light-Duty
Application:	Decorative
Slot Width/Hole Size:	3/8" [9.5 mm]
ADA:	Yes
H-20:	No
FAA:	No

* Regularly furnished unless otherwise specified.



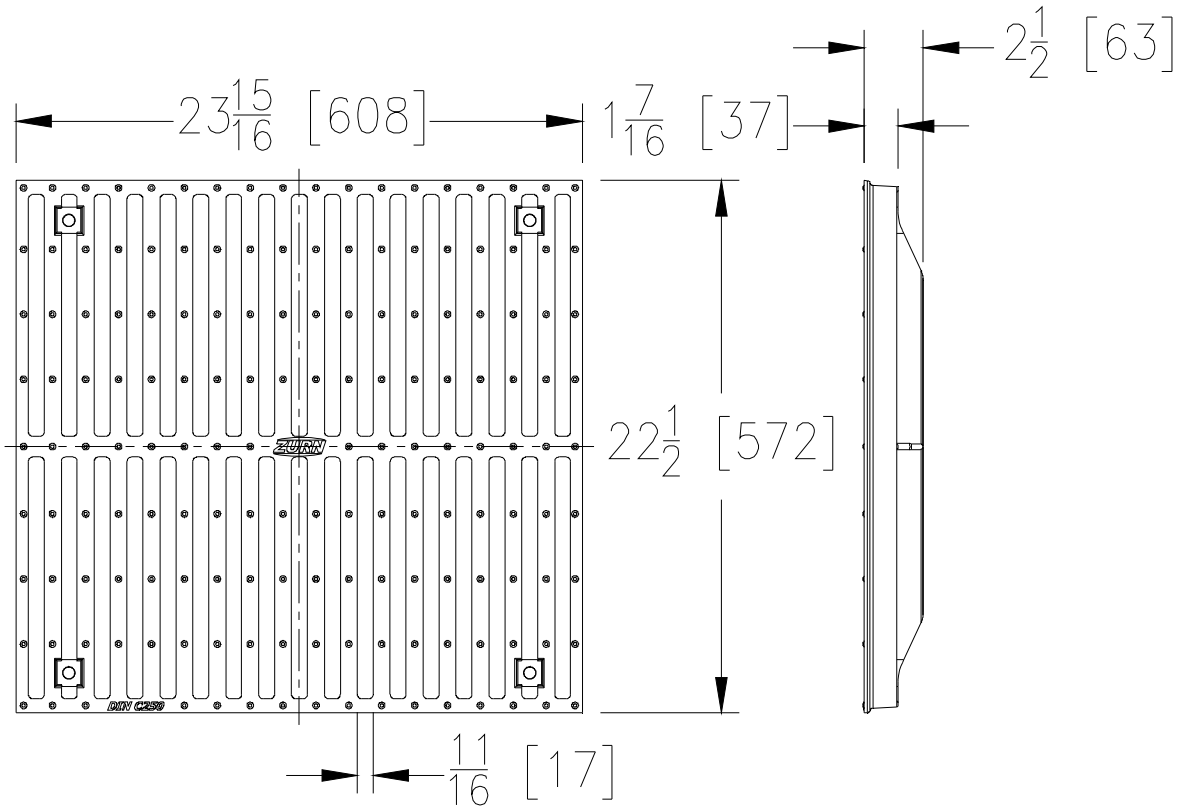
P817-GDC-24X24

24 [610] WIDE SLOTTED GRATE

Dimensional Data (inches and [mm]) are Subject to Manufacturing Tolerances and Change Without Notice

[Back to Index](#)

Please Check	Item No.	Part Number	Item I.D.
✓	6	60332	P817-GDC-24X24



GDC GRATE ENGINEERING SPECIFICATION: The Zurn P817-GDC-24X24 Slotted Grate, Galvanized Ductile Iron, 23-15/16" [608 mm] wide by 22-1/2" [572 mm] long, weighing 95.8 lbs. [43.4 kg]. The grate has an open area of 228.8 in² [1476 cm²], DIN Rating of C, ANSI Rating of Heavy-Duty, and H-20 load rated. Ductile Iron conforms to ASTM A536 Grade 80-55-06, Galvanizing (Hot Dip) conforms to ASTM A123.

GDC - Slotted Grate	
Material:	Galvanized Ductile Iron
DIN Rating:	Class C
Weight:	95.8 lbs. [43.4 kg]
Open Area:	228.8 in ² [1476 cm ²]
ANSI Rating:	Heavy-Duty
Application:	Heavy Vehicle + Truck
Slot Width/Hole Size:	11/16" [17.4 mm]
ADA:	No
H-20:	Yes
FAA:	No

* Regularly furnished unless otherwise specified.



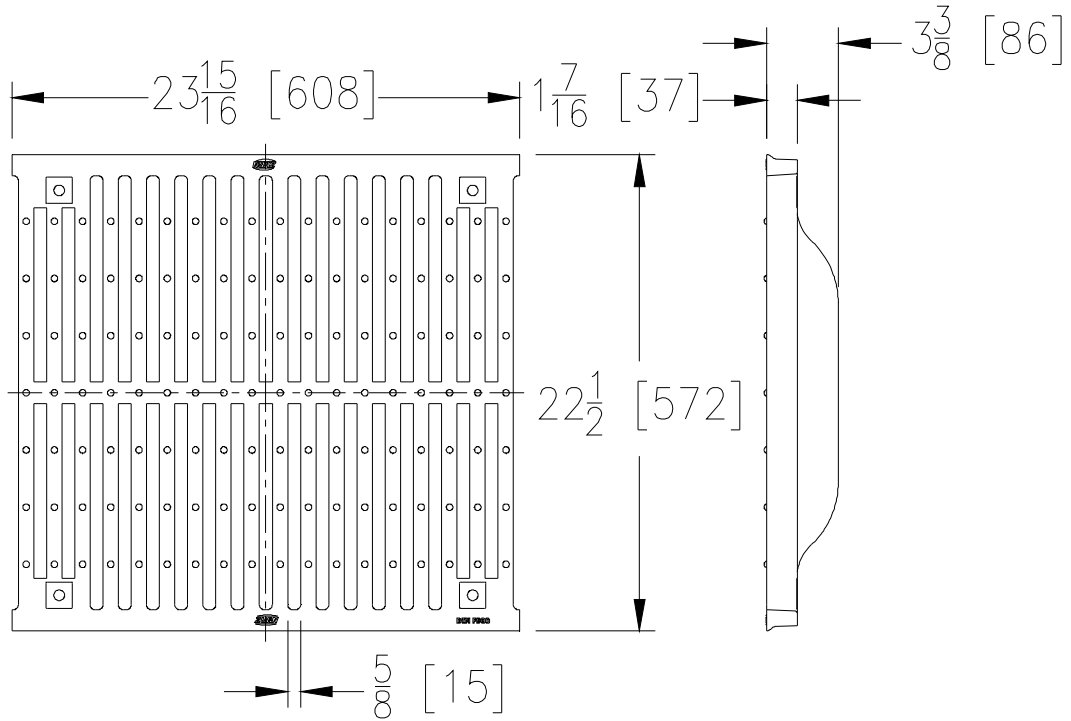
P817-GDF-24X24

24 [610] WIDE SLOTTED GRATE

Dimensional Data (inches and [mm]) are Subject to Manufacturing Tolerances and Change Without Notice

[Back to Index](#)

Please Check	Item No.	Part Number	Item I.D.
✓	7	82310	P817-GDF-24X24



GDF GRATE ENGINEERING SPECIFICATION: The Zurn P817-GDF-24X24

Slotted Grate, Galvanized Ductile Iron, 23-15/16" [608 mm] wide by 22-1/2" [572 mm] long, weighing 129 lbs. [58.5 kg] The grate has an open area of 153.4 in² [989 cm²], DIN Rating of F, ANSI Rating of Special Duty, H-20 load rated, and FAA load. Ductile Iron conforms to ASTM A536 Grade 80-55-06, Galvanizing (Hot Dip) conforms to ASTM A123.

GDF - Slotted Grate	
Material:	Galvanized Ductile Iron
DIN Rating:	Class F
Weight:	129 lbs. [58.5 kg]
Open Area:	153.4 in ² [989 cm ²]
ANSI Rating:	Special-Duty
Application:	Dynamic Loads
Slot Width/Hole Size:	5/8" [15.8 mm]
ADA:	No
H-20:	Yes
FAA:	Yes

* Regularly furnished unless otherwise specified.

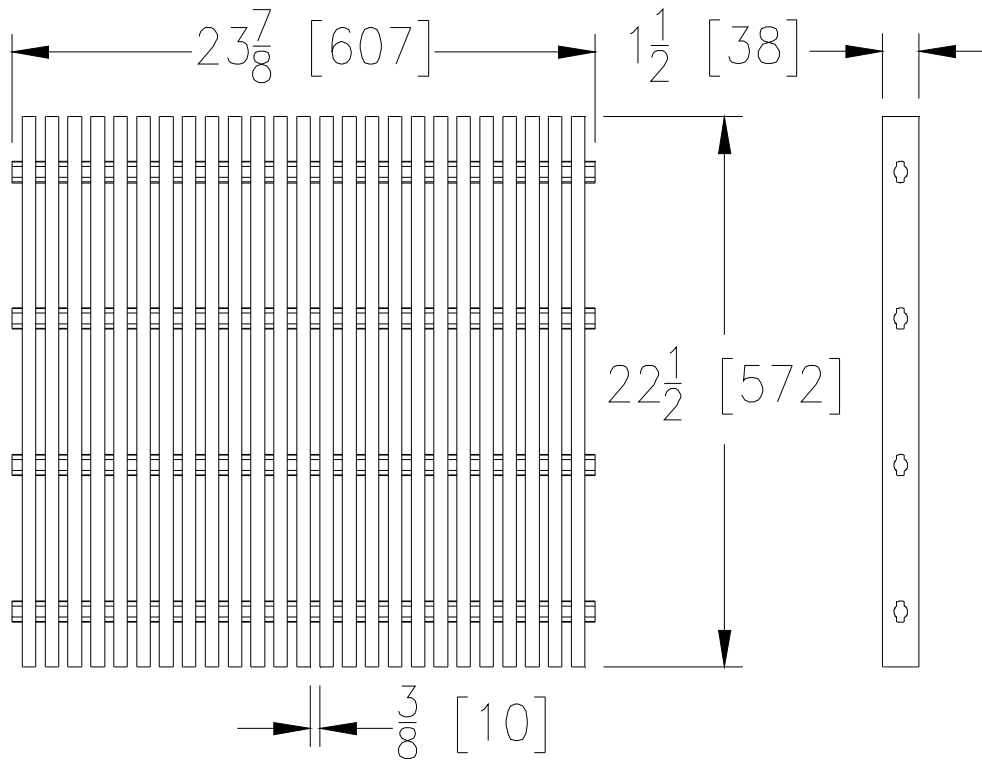


P817-GG-24X24
24 [610] WIDE SLOTTED GRATE

Dimensional Data (inches and [mm]) are Subject to Manufacturing Tolerances and Change Without Notice

[Back to Index](#)

Please Check	Item No.	Part Number	Item I.D.
✓	8	62237	P817-GG-24X24



GG GRATE ENGINEERING SPECIFICATION: The Zurn P817-GG-24X24 Slotted Grate, Fiberglass, 23-7/8" [607 mm] wide by 22-1/2" [572 mm] long, weighing 15.29 lbs. [6.9 kg]. The grate has an open area of 236.25 in² [1524 cm²], DIN Rating of A and ANSI Rating of Light-Duty. Fiberglass material composition resin Reichold 31-509-01, gLAss NICO.

GG - Slotted Grate	
Material:	Fiberglass
DIN Rating:	Class A
Weight:	15.29 lbs. [6.9 kg]
Open Area:	236.25 in ² [1524 cm ²]
ANSI Rating:	Light-Duty
Application:	Chemical Resistance
Slot Width/Hole Size:	3/8" [9.5 mm]
ADA:	No
H-20:	No
FAA:	No

* Regularly furnished unless otherwise specified.



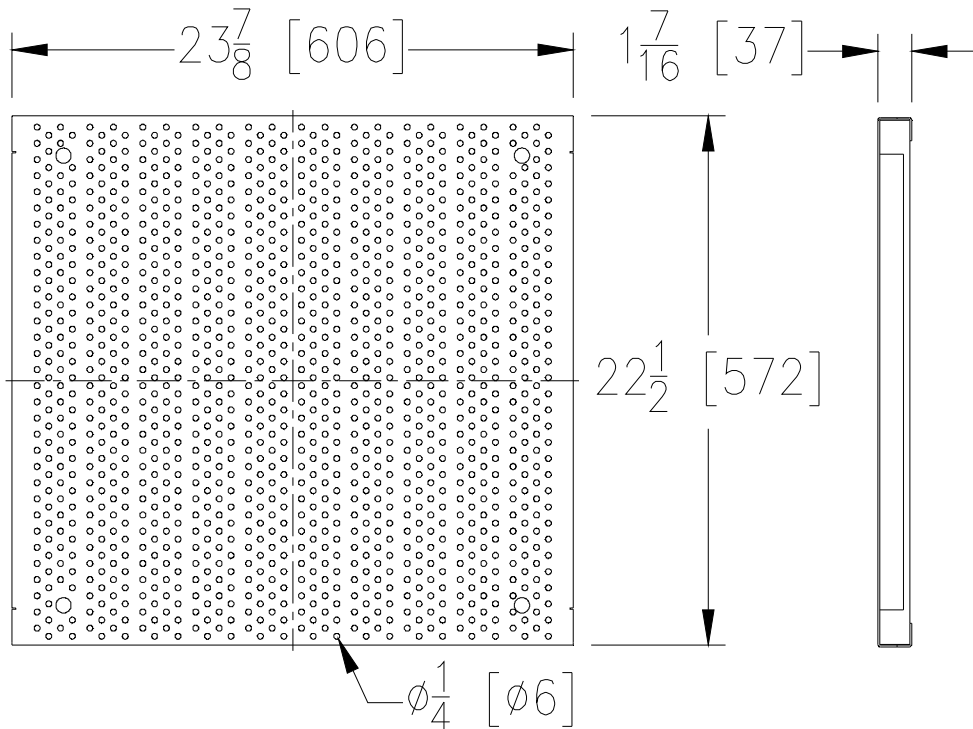
P817-PG-24X24

24 [610] WIDE PERFORATED GRATE

Dimensional Data (inches and [mm]) are Subject to Manufacturing Tolerances and Change Without Notice

[Back to Index](#)

Please Check	Item No.	Part Number	Item I.D.
✓	9	61029	P817-PG-24X24



PG GRATE ENGINEERING SPECIFICATION: The Zurn P817-PG-24X24 Perforated Grate, Galvanized Steel, 23-7/8" [606 mm] wide by 22-1/2" [572 mm] long, weighing 46.7 lbs. [21.1 kg]. The grate has an open area of 62.5 in² [403 cm²], DIN Rating of A, ANSI Rating of Light-Duty, ADA Compliant. Carbon Steel conforms to ASTM A36.

PG - Perforated Grate	
Material:	Galvanized Steel
DIN Rating:	Class A
Weight:	46.7 lbs. [21.1 kg]
Open Area:	62.5 in ² [403 cm ²]
ANSI Rating:	Light-Duty
Application:	Decorative Heel-Proof
Slot Width/Hole Size:	1/4" [6.3 mm]
ADA:	Yes
H-20:	No
FAA:	No

* Regularly furnished unless otherwise specified.



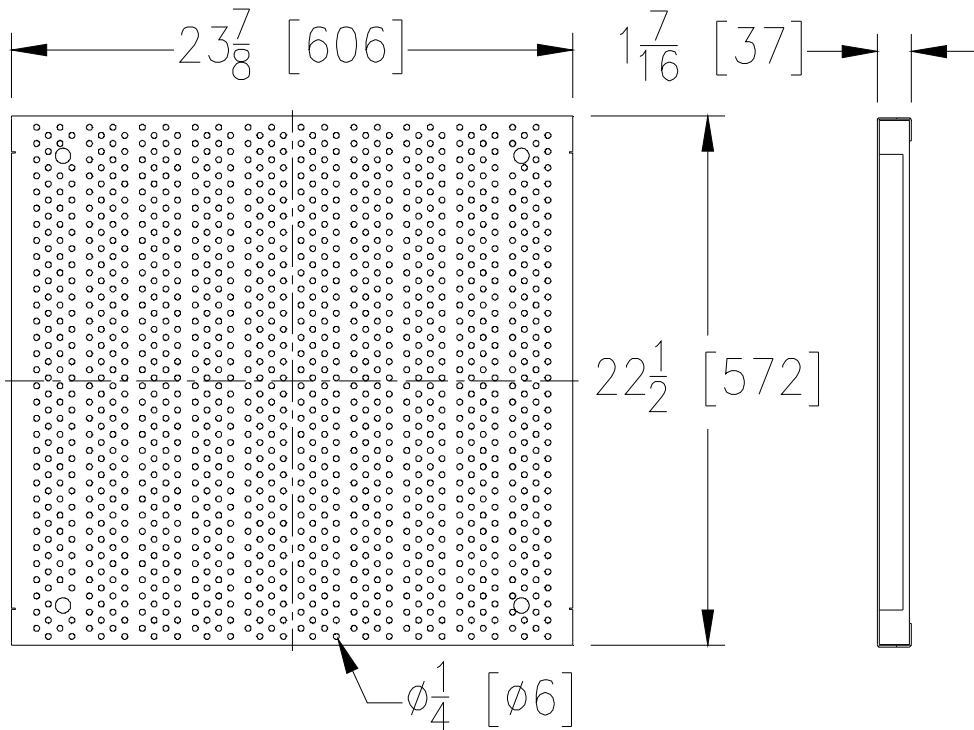
P817-PS-24X24

24 [610] WIDE PERFORATED GRATE

Dimensional Data (inches and [mm]) are Subject to Manufacturing Tolerances and Change Without Notice

[Back to Index](#)

Please Check	Item No.	Part Number	Item I.D.
✓	10	61029	P817-PS-24X24



PS GRATE ENGINEERING SPECIFICATION: The Zurn P817-PS-24X24 Perforated Grate, Stainless Steel, 23-7/8" [606 mm] wide by 22-1/2" [572 mm] long, weighing 48 lbs. [21.7 kg]. The grate has an open area of 62.5 in² [403 cm²], DIN Rating of A and ANSI Rating of Light-Duty. Stainless steel conforms to ASTM A240 type 304 (or 316 by request).

PS - Perforated Grate	
Material:	Stainless Steel
DIN Rating:	Class A
Weight:	48 lbs. [21.7 kg]
Open Area:	62.5 in ² [403 cm ²]
ANSI Rating:	Light-Duty
Application:	Decorative Heel-Proof
Slot Width/Hole Size:	1/4" [6.3 mm]
ADA:	Yes
H-20:	No
FAA:	No

* Regularly furnished unless otherwise specified.



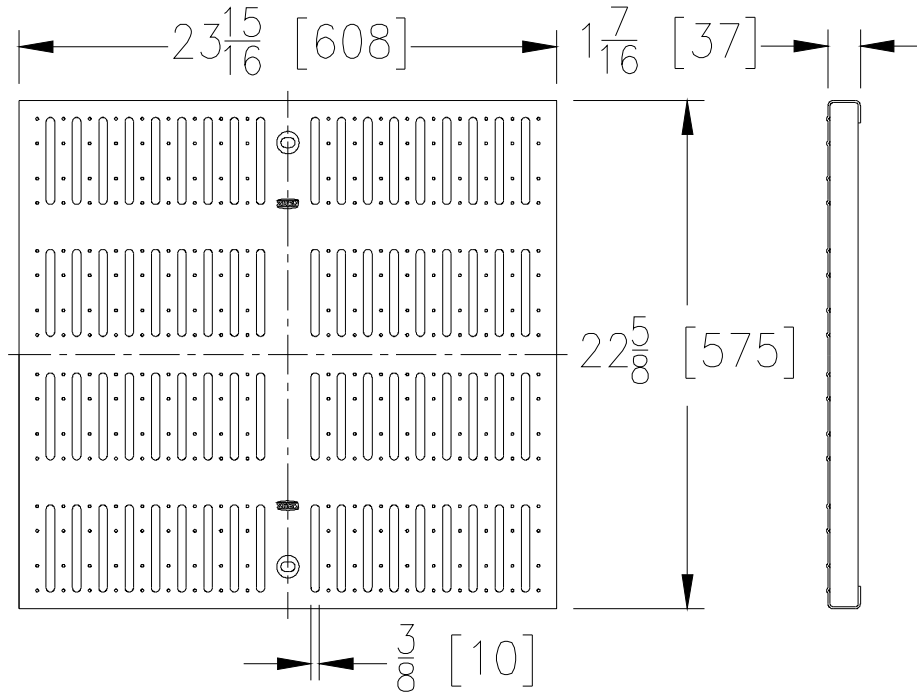
P817-RFG-USA-24X24

24 [610] WIDE SLOTTED GRATE

Dimensional Data (inches and [mm]) are Subject to Manufacturing Tolerances and Change Without Notice

[Back to Index](#)

Please Check	Item No.	Part Number	Item I.D.
✓	11	61022	P817-RFG-USA-24X24



RFG-USA GRATE ENGINEERING SPECIFICATION: The Zurn P817-RFG-USA-24X24 Slotted Grate, Galvanized Steel, 23-15/16" [608 mm] wide by 22-5/8" [575 mm] long, weighing 46.2 lbs. [20.9 kg]. The grate has an open area of 101 in² [651 cm²], DIN Rating of B and ANSI Rating of Medium-Duty. Galvanized Steel conforms to ASTM A36. Galvanized Skin conforms to ASTM Specification A653, Galvanized Coating designation G60, minimum spangle.

RFG-USA - Reinforced Slotted Grate	
Material:	Galvanized Steel
DIN Rating:	Class B
Weight:	46.2 lbs. [20.9 kg]
Open Area:	101 in ² [651 cm ²]
ANSI Rating:	Medium-Duty
Application:	Decorative
Slot Width/Hole Size:	3/8" [9.5 mm]
ADA:	Yes
H-20:	No
FAA:	No

* Regularly furnished unless otherwise specified.



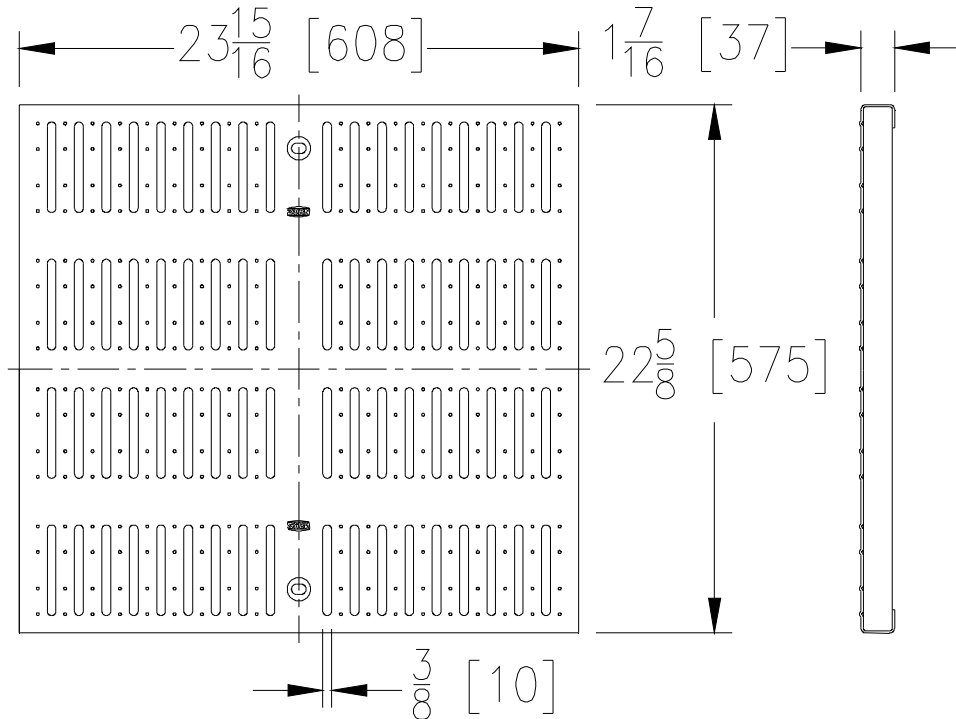
P817-RFS-USA-24X24

24 [610] WIDE SLOTTED GRATE

Dimensional Data (inches and [mm]) are Subject to Manufacturing Tolerances and Change Without Notice

[Back to Index](#)

Please Check	Item No.	Part Number	Item I.D.
✓	12	61022	P817-RFS-USA-24X24



RFS-USA GRATE ENGINEERING SPECIFICATION: The Zurn P817-RFS-USA-24X24 Reinforced Slotted Grate, Stainless Steel, 23-15/16" [608 mm] wide by 22-5/8" [575 mm] long, weighing 47.5 lbs. [21.5 kg]. The grate has an open area of 101 in² [651 cm²], DIN Rating of B and ANSI Rating of Medium-Duty. Stainless steel conforms to ASTM A240 type 304 (or 316 by request).

RFS-USA - Reinforced Slotted Grate	
Material:	Stainless Steel
DIN Rating:	Class B
Weight:	47.5 lbs. [21.5 kg]
Open Area:	101 in ² [651 cm ²]
ANSI Rating:	Medium-Duty
Application:	Decorative
Slot Width/Hole Size:	3/8" [9.5 mm]
ADA:	Yes
H-20:	No
FAA:	No

* Regularly furnished unless otherwise specified.



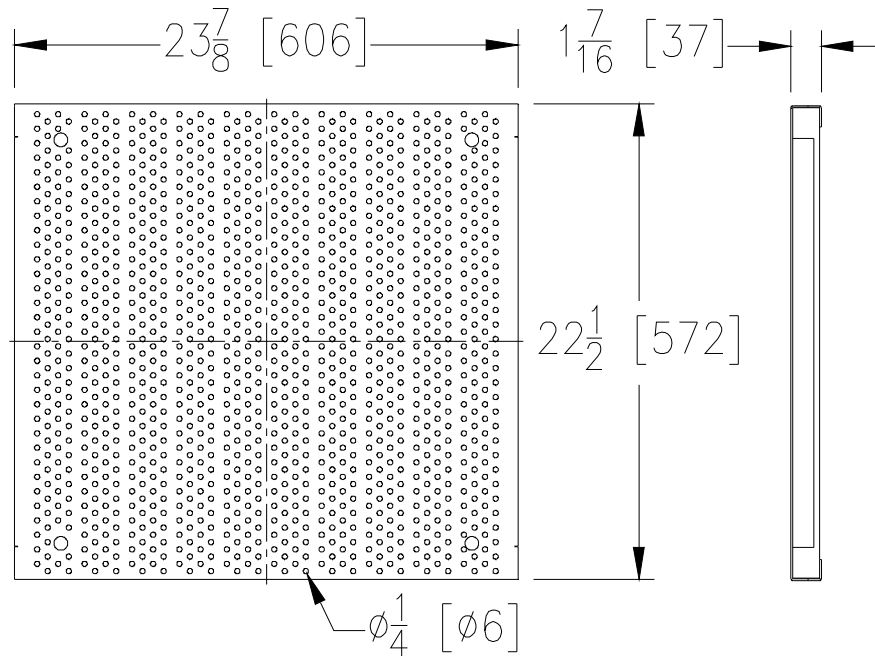
P817-RPG-USA-24X24

24 [610] WIDE PERFORATED GRATE

Dimensional Data (inches and [mm]) are Subject to Manufacturing Tolerances and Change Without Notice

[Back to Index](#)

Please Check	Item No.	Part Number	Item I.D.
✓	13	61029	P817-RPG-USA-24X24



RPG-USA GRATE ENGINEERING SPECIFICATION: The Zurn P817-RPG-USA-24X24 Reinforced Perforated Grate, Galvanized Steel, 23-7/8" [606 mm] wide by 22-1/2" [572 mm] long, weighing 46.7 lbs. [21.1 kg]. The grate has an open area of 62.5 in² [403 cm²], DIN Rating of B, ANSI Rating of Medium-Duty, ADA Compliant. Carbon Steel conforms to ASTM A36. Galvanized Skin conforms to ASTM Specification A653, Galvanized Coating designation G60, minimum spangle.

RPG-USA - Reinforced Perforated Grate	
Material:	Galvanized Steel
DIN Rating:	Class B
Weight:	46.7 lbs. [21.1 kg]
Open Area:	62.5 in ² [403 cm ²]
ANSI Rating:	Medium-Duty
Application:	Decorative Heel-Proof
Slot Width/Hole Size:	1/4" [6.3 mm]
ADA:	Yes
H-20:	No
FAA:	No

* Regularly furnished unless otherwise specified.



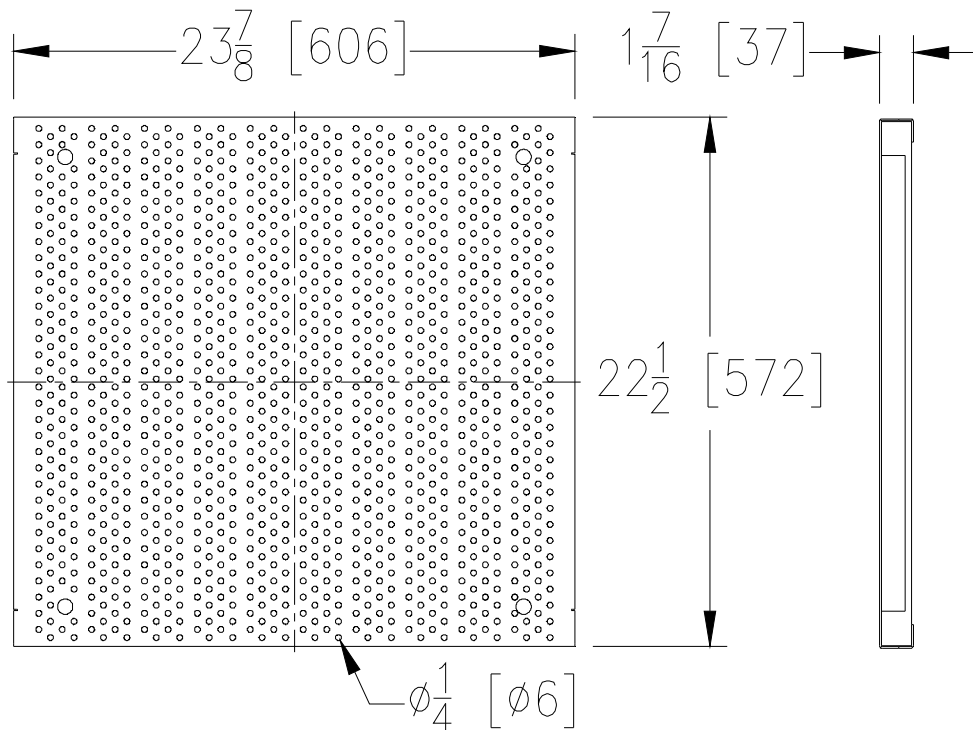
P817-RPS-USA-24X24

24 [610] WIDE PERFORATED GRATE

Dimensional Data (inches and [mm]) are Subject to Manufacturing Tolerances and Change Without Notice

[Back to Index](#)

Please Check	Item No.	Part Number	Item I.D.
✓	14	61029	P817-RPS-USA-24X24



RPS-USA GRATE ENGINEERING SPECIFICATION: The Zurn P817-RPS-USA-24X24 Perforated Grate, Stainless Steel, 23-7/8" [606 mm] wide by 22-1/2 [572 mm] inches long, weighing 48 lbs. [21.7 kg]. The grate has an open area of 62.5 in² [403 cm²], DIN Rating of B and ANSI Rating of Medium-Duty. Stainless steel conforms to ASTM A240 type 304 (or 316 by request).

RPS-USA - Reinforced Perforated Grate	
Material:	Stainless Steel
DIN Rating:	Class B
Weight:	48 lbs. [21.7 kg]
Open Area:	62.5 in ² [403 cm ²]
ANSI Rating:	Medium-Duty
Application:	Decorative Heel-Proof
Slot Width/Hole Size:	1/4" [6.3 mm]
ADA:	Yes
H-20:	No
FAA:	No

* Regularly furnished unless otherwise specified.



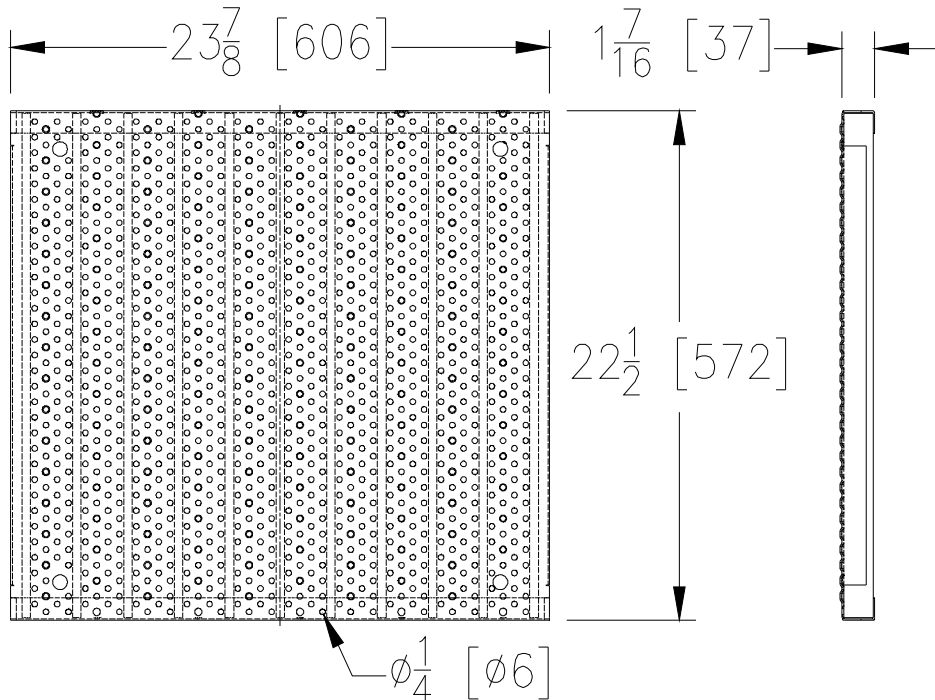
P817-RPGR-24X24

24 [610] WIDE PERFORATED GRATE

Dimensional Data (inches and [mm]) are Subject to Manufacturing Tolerances and Change Without Notice

[Back to Index](#)

Please Check	Item No.	Part Number	Item I.D.
✓	15	314027	P817-RPGR-24X24



RPGR GRATE ENGINEERING SPECIFICATION: The Zurn P817-RPGR-24X24

Perforated Grate, Galvanized Steel, 22-1/2" [572 mm] wide by 23-7/8" [606 mm] long, weighing 46.7 lbs. [21.1 kg]. The grate has an open area of 62.5 in² [403 cm²], DIN Rating of B, ANSI Rating of Medium-Duty, ADA Compliant. Galvanized Sheet conforms to ASTM Specification A653, Galvanized Coating designation G60, minimum spangle.

RPGR - Perforated Grate	
Material:	Galvanized Steel
DIN Rating:	Class B
Weight:	46.7 lbs. [21.1 kg]
Open Area:	62.5 in ² [403 cm ²]
ANSI Rating:	Medium-Duty
Application:	Decorative Heel-Proof
Slot Width/Hole Size:	1/4" [6.3 mm]
ADA:	Yes
H-20:	No
FAA:	No

* Regularly furnished unless otherwise specified.



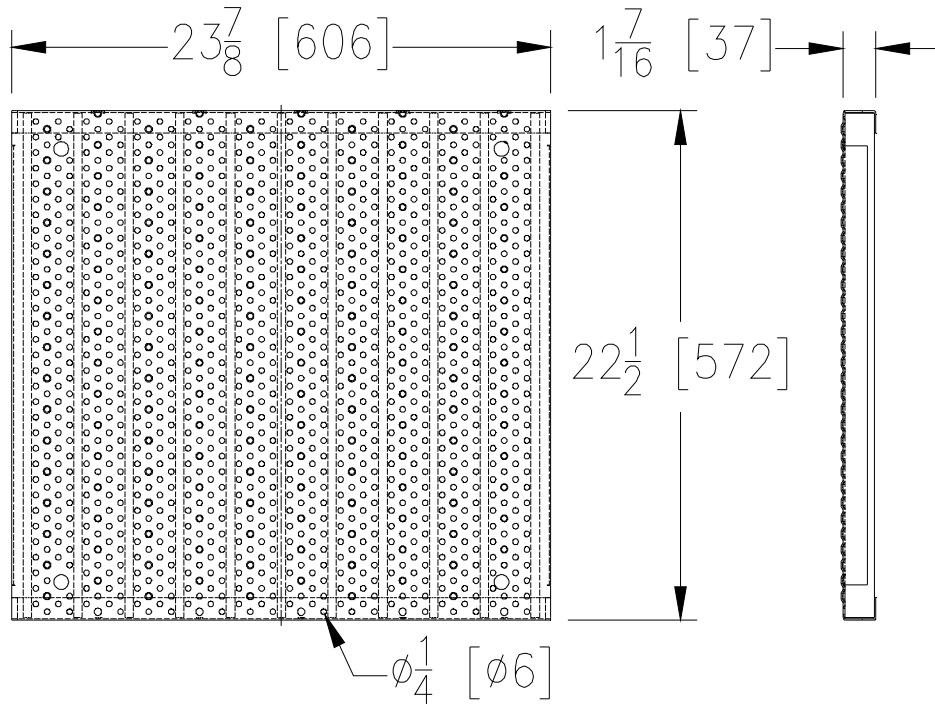
P817-RPSR-24X24

24 [610] WIDE PERFORATED GRATE

Dimensional Data (inches and [mm]) are Subject to Manufacturing Tolerances and Change Without Notice

[Back to Index](#)

Please Check	Item No.	Part Number	Item I.D.
✓	16	314027	P817-RPSR-24X24



RPSR GRATE ENGINEERING SPECIFICATION: The Zurn P817-RPSR-24X24 Perforated Grate, Stainless Steel, 22-1/2" [572 mm] wide by 23-7/8" [606 mm] long, weighing 48 lbs. [21.7 kg]. The grate has an open area of 62.5 in² [403 cm²], DIN Rating of B and ANSI Rating of Medium-Duty. Stainless Steel conforms to ASTM A351 Grade CF8 Type 304 (or Grade CF8M Type 316 by request). Stainless Steel skins conforms to ASTM A240 Type 304 (or 316 by request).

RPSR - Perforated Grate	
Material:	Stainless Steel
DIN Rating:	Class B
Weight:	48 lbs. [21.7 kg]
Open Area:	62.5 in ² [403 cm ²]
ANSI Rating:	Medium-Duty
Application:	Decorative Heel-Proof
Slot Width/Hole Size:	1/4" [6.3 mm]
ADA:	Yes
H-20:	No
FAA:	No

* Regularly furnished unless otherwise specified.



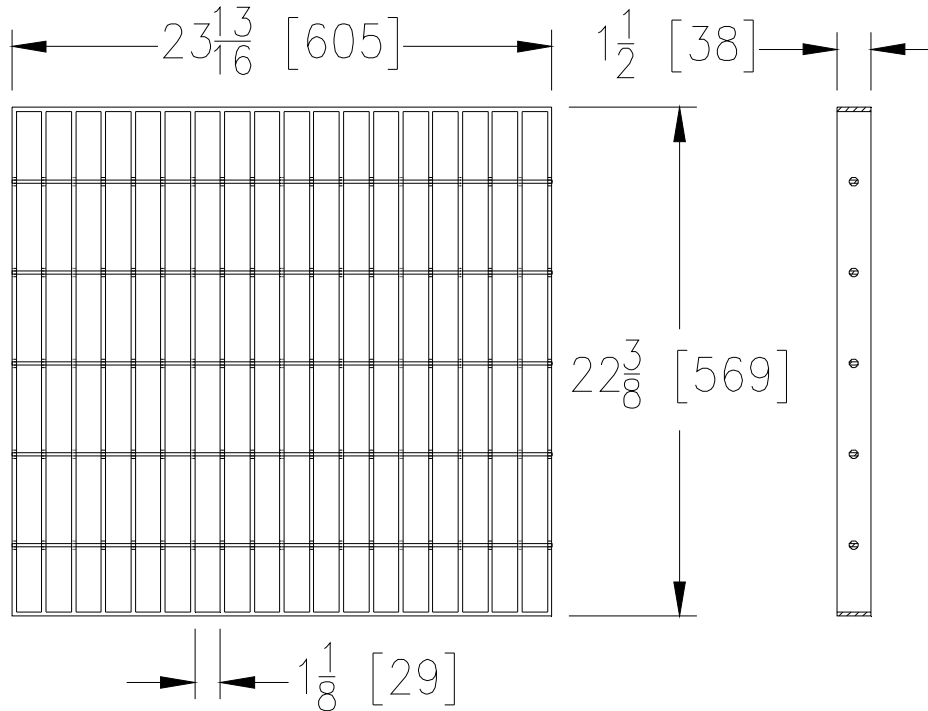
P817-SBG-24X24

24 [610] SLOTTED BAR GRATE

Dimensional Data (inches and [mm]) are Subject to Manufacturing Tolerances and Change Without Notice

[Back to Index](#)

Please Check	Item No.	Part Number	Item I.D.
✓	17	61023-002	P817-SBG-24X24



SBG GRATE ENGINEERING SPECIFICATION: The Zurn P817-SBG-24X24 Slotted Bar Grate, Stainless Steel, 22-3/8" [568 mm] wide by 23-13/16" [605 mm] long, weighing 39 lbs. [17.7 kg]. The grate has an open area of 433.2 in² [2795 cm²], DIN Rating of A and ANSI Rating of Light-Duty. Stainless Steel conforms to ASTM A351 Grade CF8 Type 304 (or Grade CF8M Type 316 by request). Stainless Steel skins conforms to ASTM A240 Type 304 (or 316 by request).

SBG - Slotted Bar Grate	
Material:	Stainless Steel
DIN Rating:	Class A
Weight:	39 lbs. [17.7 kg]
Open Area:	433.2 in ² [2795 cm ²]
ANSI Rating:	Light-Duty
Application:	Foot Traffic
Slot Width/Hole Size:	1-1/8" [28.6 mm]
ADA:	No
H-20:	No
FAA:	No

* Regularly furnished unless otherwise specified.



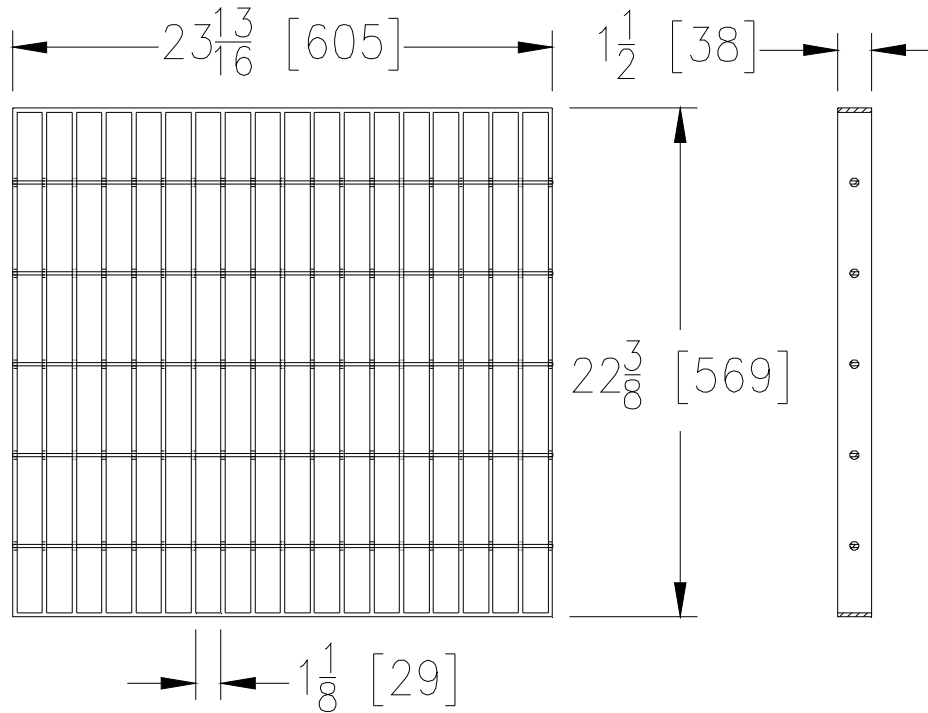
P817-BG-24X24

24 [610] SLOTTED BAR GRATE

Dimensional Data (inches and [mm]) are Subject to Manufacturing Tolerances and Change Without Notice

[Back to Index](#)

Please Check	Item No.	Part Number	Item I.D.
✓	18	61023-001	P817-BG-24X24



BG GRATE ENGINEERING SPECIFICATION: The Zurn P817-BG-24X24 Slotted Bar Grate, Galvanized Steel, 22-3/8" [568 mm] wide by 23-13/16" [605 mm] long, weighing 39 lbs. [17.7 kg]. The grate has an open area of 433.2 in² [2795 cm²], DIN Rating of A and ANSI Rating of Light-Duty. Galvanized Steel conforms to ASTM A123.

BG - Slotted Bar Grate	
Material:	Galvanized Steel
DIN Rating:	Class A
Weight:	39 lbs. [17.7 kg]
Open Area:	433.2 in ² [2795 cm ²]
ANSI Rating:	Light-Duty
Application:	Foot Traffic
Slot Width/Hole Size:	1-1/8" [28.6 mm]
ADA:	No
H-20:	No
FAA:	No

* Regularly furnished unless otherwise specified.