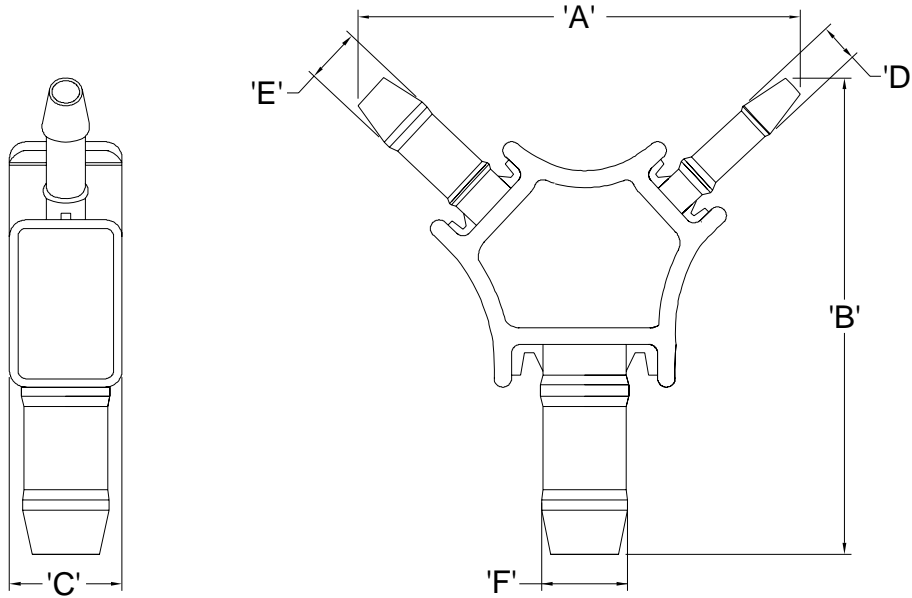




Zurn PEX-Al-PEX Reamer – QHPAP-__ Specification Sheet

Tag _____

Dimensional Data: Inches and [mm] are subject to manufacturing tolerances and change without notice.



Product Number	Description	'A'	'B'	'C'	'D'	'E'	'F'
QHPAP-234	Reamer for 3/8", 1/2", and 3/4" Alumicor® Tubing	4.19" [106.4]	4.94" [125.5]	1.00" [25.4]	3/8" Reamer	1/2" Reamer	3/4" Reamer
QHPAP-J45	Reamer for 5/8", 3/4", and 1" Alumicor® Tubing	4.59" [116.6]	4.15" [102.9]	1.28" [32.5]	5/8" Reamer	3/4" Reamer	1" Reamer

Engineering Specification: ZurnPEX® Reamer. QHPAP-__ is used to put a chamfer on the inside edge of Zurn Alumicor® tubing prior to inserting a PEX-Al-PEX fitting.

Accessories

- ___ Q2PAPX 3/8" Alumicor® Pex-Al-Pex
- ___ Q3PAPX 1/2" Alumicor® Pex-Al-Pex
- ___ QJPAPX 5/8" Alumicor® Pex-Al-Pex
- ___ Q4PAPX 3/4" Alumicor® Pex-Al-Pex
- ___ Q5PAPX 1" Alumicor® Pex-Al-Pex

Rev. A	Date: 4/6/09	C.N. No. 99877
Dwg. No. 84015		Prod. No. QHPAP-__