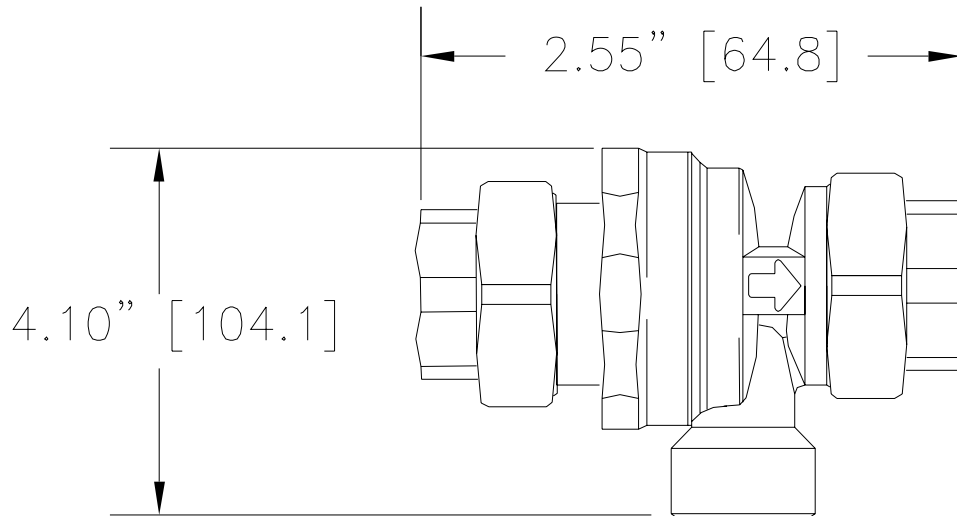




BackFlow Preventer – QHWBP3 Specification Sheet

Tag _____

Dimensional Data: Inches and [mm] are subject to manufacturing tolerances and change without notice.



Engineering Specification: Zurn backflow preventer. Backflow preventer has twin dependently acting check valves with an intermediate atmospheric vent, all bronze body construction and corrosion resistant internal parts. Maximum operating pressure: 175 PSI (12.1 bar). Temperature range: 33°-210°F (0.6°-98.9°C). Integral stainless steel screen. 1/2" FPT union connection on both ends.

Accessories

___ QHBPV4	3/4" Powervent with Threaded Connections
___ QHBPVS4	3/4" Powervent with Sweat Connections
___ QHBPV5	1" Powervent with Threaded Connections
___ QHBPVS5	1" Powervent with Sweat Connections
___ QHBPV6	1-1/4" Powervent with Threaded Connections
___ QHBPVS6	1-1/4" Powervent with Sweat Connections
___ QHBPV7	1-1/2" Powervent with Threaded Connections
___ QHWET2.1	1/2" NPT Expansion Tank (2.1GAL/8L)
___ QHWET5.0	1/2" NPT Expansion Tank (5.0GAL/19L)
___ QHWET6.5	1/2" NPT Expansion Tank (6.5GAL/25L)
___ QHWET13.5	1" NPT Expansion Tank (13.5GAL/51L)
___ QHWPRV3	1/2" Bronze Pressure Reducing Valve
___ QHWPRV3S	1/2" Cast Iron Pressure Reducing Valve

Rev.	Date: 11/05/08	C.N. No. 99328
Dwg. No. 83991		Prod. No. QHWBP3