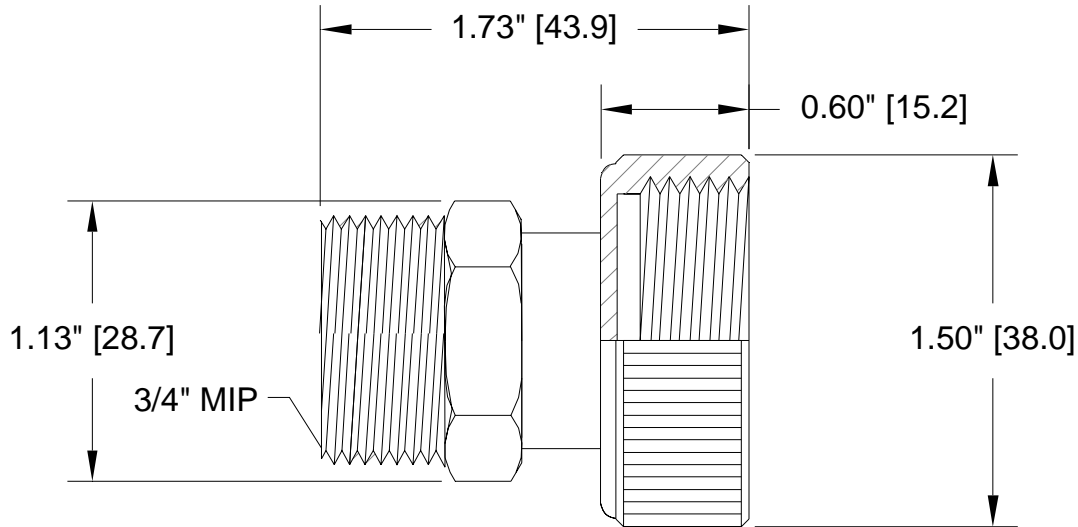




# Zurn PEX® XL-Low Lead Brass 1" Swivel x 3/4" MIP Adapter - QQTFC45GX Specification Sheet

Tag \_\_\_\_\_

Dimensional Data: Inches and [mm] are subject to manufacturing tolerances and change without notice.



**Engineering Specification:** ZurnPEX® XL-Low Lead Brass 1" Swivel x 3/4" MIP QickPort® Connection. The QQTFC45GX is used to connect FIP to the QickPort® manifold. Manufactured from EcoBrass®. These fittings are listed by NSF as complying with the following standards: NSF/ANSI Standard 61 including Annex G.

## Accessories

___ QKIPSP	Unassembled QickPort® Manifold
___ QPPM10	Preassembled 10 Port QickPort® Manifold
___ QPPM10-_*	Preassembled 10 Port QickPort® Manifold With Valves
___ QPPM20	Preassembled 20 Port QickPort® Manifold
___ QPPM20-_*	Preassembled 20 Port QickPort® Manifold With Valves
___ QPPM_H_C	Preassembled QickPort® Manifold
___ QPPM_H_C-_*	Preassembled QickPort® Manifold with Valves
___ QPPM_H_C_NS	Preassembled QickPort® Manifold with Unconditioned Water Ports
___ QPPM_H_C_NS-_*	Preassembled QickPort® Manifold with Unconditioned Water Ports with Valves

\*QickPort® Manifolds available with either 3/8" or 1/2" stop valves.

Rev.	Date: 2/22/10	C.N. No. 110731
Dwg. No. 84485		Prod. No. QQTFC45GX