

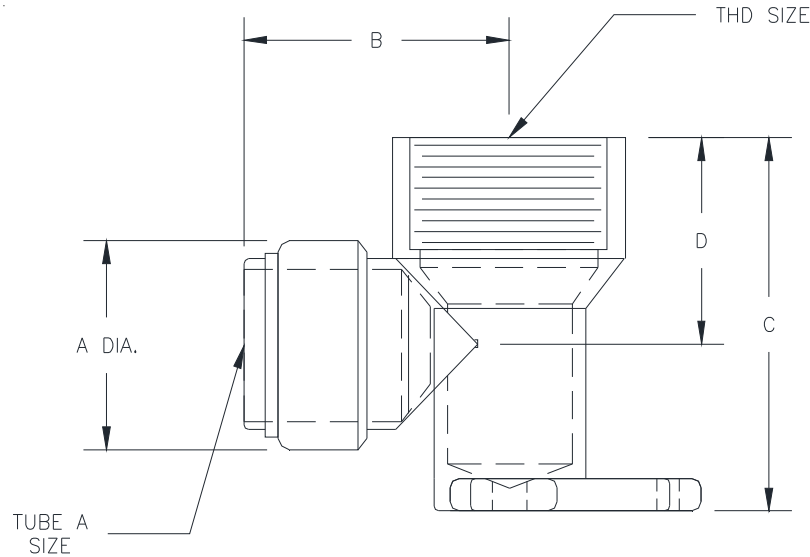


QQZBDE_G
Z-Bite™ DROP EAR ELBOW

SPECIFICATION SHEET

TAG _____

Dimensional Data (inches and [mm]) are Subject to Manufacturing Tolerances and Change Without Notice



Part Number	Description	Dimensions in Inches [mm]						Bag Qty.	Carton Qty.
		A Dia	Tube A Size	B	THD Size	C	D		
QQZBDE23G	Drop Ear Elbow - 3/8 Z-Bite X 1/2 FPT	0.87 [22]	3/8	1.07 [27]	1/2	1.75 [45]	1.04 [26]	12	144
QQZBDE33G	Drop Ear Elbow - 1/2 Z-Bite X 1/2 FPT	1.07 [27]	1/2	1.04 [26]	1/2	1.75 [45]	1.31 [33]	12	60

ENGINEERING SPECIFICATION: QQZBDE_G

Zurn Z-Bite™ Fittings are certified by IAPMO to meet the requirements of ASSE 1061 for Push Fittings, NSF Standard 61 for potable water applications and NSF Standard 372 for low lead. The fittings may be used with PEX, CPVC or copper tube sizes. The fittings comply with the requirements of the model plumbing codes for use in inaccessible locations. The grip ring is made from Type 304 stainless steel, the o-ring is a chloramine resistant EPDM and the integral tube stiffener for PEX is made from polysulfone. The brass body of the fitting is C46500 alloy.

ACCESSORIES

- _____ QQZBDC2 3/8 Disconnect Clip
- _____ QQZBDC3 1/2 Disconnect Clip
- _____ QQZBDBT Depth Gage & Deburring Tool, 3/8 & 1/2

* Regularly furnished unless otherwise specified.