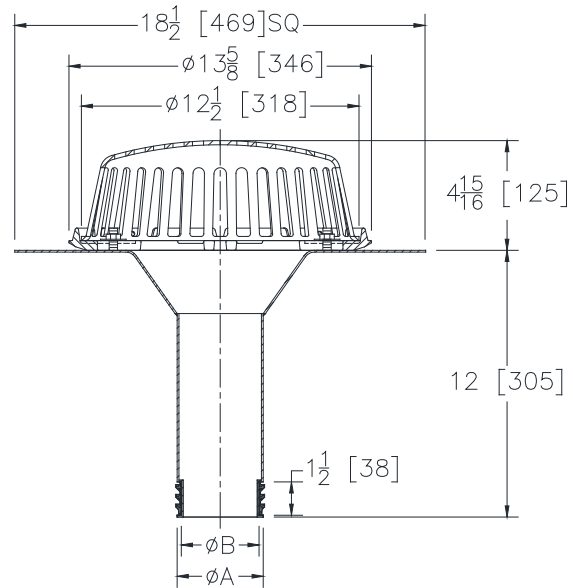


Design and Dimensional Data (inches and [ mm ]) are Subject to Manufacturing Tolerances and Change Without Notice



Product	Pipe Size	A	B	Dome Open Area Sq. In. [cm]
__ RD2150-SS3	3 [76] Push-in	2-7/8 [73]	2-1/2 [64]	103 [665]
__ RD2150-SS4	4 [102] Push-in	3-7/8 [98]	3-1/2 [89]	
__ RD2150-SS5	5 [127] Push-in	4-7/8 [124]	4-1/2 [114]	
__ RD2150-SS6	6 [152] Push-in	5-7/8 [149]	5-1/2 [140]	

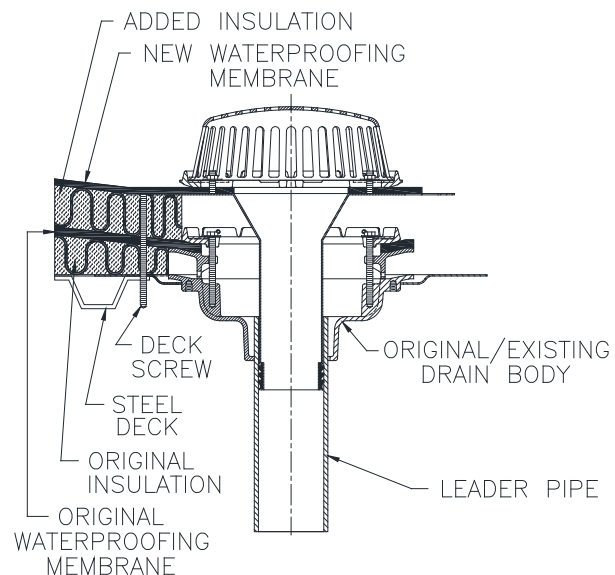
**RD2150 Replacement Roof Drain** Designed for renovation roof applications where existing roof drain bodies cannot be utilized. The RD2150 is designed to penetrate the old roof drain body, bonding securely to the inside of the drain pipe. The RD2150 is furnished with #16 gage Type 304 stainless steel body and neoprene gasket, complete with Dura-Coated cast iron clamp collar and dome with stainless steel hardware.

**Options:**

- \_\_\_ -AL Aluminum Dome Strainer
- \_\_\_ -FS Flat Sump Roof Drain Body
- \_\_\_ -VP Vandel Proof Screws for Dome

The RD2150 is installed inside of an existing drain. The drain is used where re-roofing is done over existing roofing, as well as total roof replacement renovation applications. The original roof drain need not be disturbed and the new drain is installed by insertion into the leader pipe. The neoprene gasket with one-way gripping ribs holds the drain in place. Once installed, the drain is held securely in place and sealed to the pipe, preventing possible leakage. Installation shows new insulation and membrane applied to roof. Note: Tie-down slots for fasteners are provided in the RD2150 flange. It is recommended these be utilized during construction to hold drain body firmly in place.

**Typical Installation**



**WARNING:** Cancer and Reproductive Harm - [www.P65Warnings.ca.gov](http://www.P65Warnings.ca.gov)  
**ADVERTENCIA:** Cáncer y daño reproductivo - [www.P65Warnings.ca.gov](http://www.P65Warnings.ca.gov)  
**AVERTISSEMENT:** Cancer et effets néfastes sur la reproduction - [www.P65Warnings.ca.gov](http://www.P65Warnings.ca.gov)

Zurn Industries, LLC | Light Commercial Plumbing Products  
 2640 South Work Street, Falconer, NY, 14733 Ph. 1-800/906-5060

Rev. C  
 Date: 04/21/2023  
 C.N. No. 145263  
 Prod. | Dwg. No. RD2150