



SMARTPRO G5 WIRELESS ALARM

PRODUCT FEATURES & TECHNICAL SPECIFICATION

Design and Dimensional Data (inches and [mm]) are Subject to Manufacturing Tolerances and Change Without Notice

Savings:

- Monitor provides real-time data about grease and oil level, sludge level, and even temperature inside the interceptor.
- Audio and visual alarm plus E-mail, Text or cloud dashboard notifies when it is time to pump or when liquid level is too high, enabling on-demand pumping.
- Eliminate the back-breaking task of lifting cast iron covers to see inside the interceptor.
- Long life lithium battery keeps sensor up and running.
- All data is available on cloud based portal for real-time information access and management.
- Transmits data via LoRa Gateway transmission.
- Gateway power by 120v power supply.

Safety:

- End to end data encryption.
- Data can be shared with regulators for total peace of mind compliance.
- Separate LoRa gateway with integral alarm gives immediate notification with audio and visual alarm to facility personnel even when tank unit is a long distance from gateway. (Optional)

Stewardship:

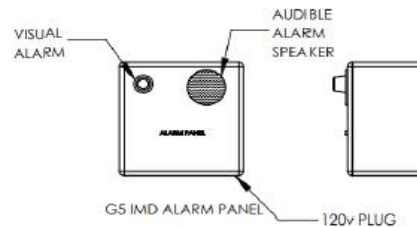
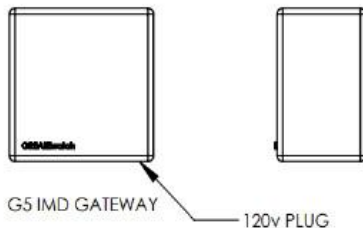
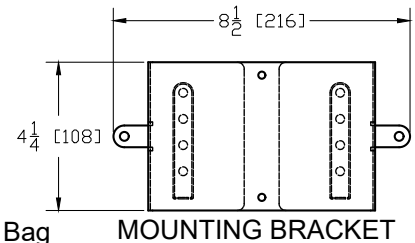
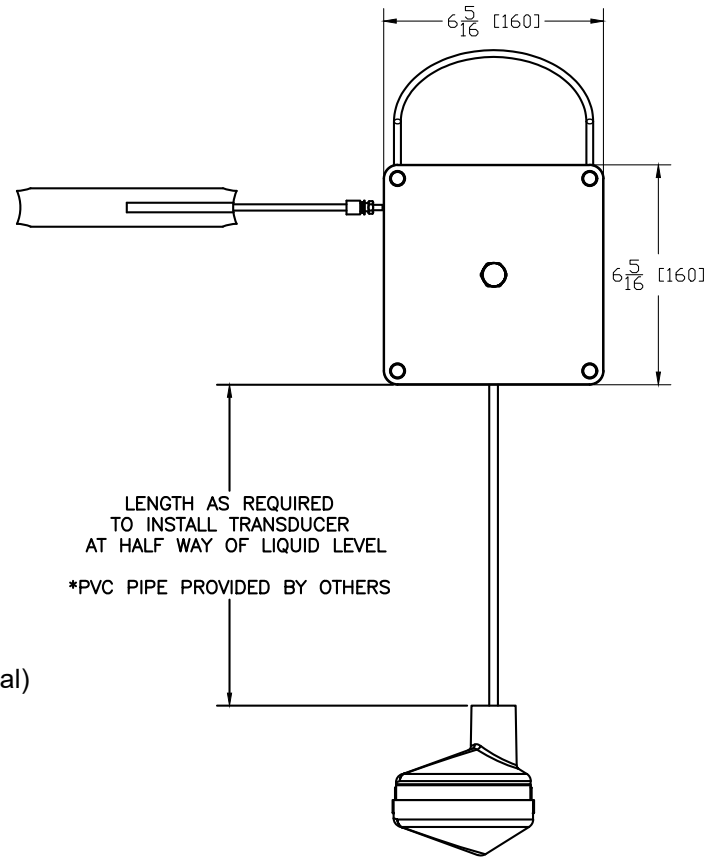
- Accurate grease interceptor maintenance helps avoid catastrophic backups.
- High liquid alarm informs of potential sewer backups.

Style:

- Sensor mounts inside interceptor and communicates wirelessly to Zurn Gateway.
- Can be retrofit to most interceptor systems.

Unit Options:

- ___ -G5-4650 Smartpro G5 Tank + Transducer + Hardware Bag
- ___ -G5-4650-Z Smartpro G5 Tank with Zurn Software + Transducer + Hardware Bag
- ___ -G5-4651 Smartpro G5 Tank + Receiver w/ Alarm-Gateway
- ___ -G5-4652 Smartpro G5 Tank + Receiver w/ Gateway Only
- ___ -G5-4653 Smartpro G5 Tank + Receiver w/ Alarm only



⚠ WARNING: Cancer and Reproductive Harm - www.P65Warnings.ca.gov
⚠ ADVERTENCIA: Cáncer y daño reproductivo - www.P65Warnings.ca.gov
⚠ AVERTISSEMENT: Cancer et effets néfastes sur la reproduction - www.P65Warnings.ca.gov

Zurn Industries, LLC | Specification Drainage Operation
 1801 Pittsburgh Avenue, Erie, PA 16502, Ph. 855.663.9876

In Canada | Zurn Industries Limited
 7900 Goreway Drive, Unit 10, Brampton, Ontario L6T 5W6, Ph. 877.892.5216

www.zurn.com

Rev. -
 Date: 07/18/23
 C.N. No. 145417
 Prod. | Dwg. No. SMARTPRO G5