



ARCHITECTURAL & ENGINEERING SPECIFICATION

EcoVantage High Efficiency Toilet System features a vitreous china, 14" [356mm] height, floor mounted, bottom outlet toilet with siphon jet flushing action, ZurnSHIELD™ and elongated front rim with 1-1/2" [39mm] top spud. This bowl is designed to perform to industry standards with as little as 1.1 gallons per flush

PRODUCT FEATURES

- Zurn High Efficiency Toilets and paired performance flush valve systems are designed to exceed industry standards, while using as little as 1.1 gallons of water per flush
- Universal high efficiency toilet can be specified with 1.1 gpf [4.2 Lpf], 1.28 gpf [4.8 Lpf], 1.6 gpf [6.0 Lpf] or dual flush valves
- ZurnSHIELD™ ceramic glaze creates a permanent surface that protects the fixture by inhibiting the growth of stain and odor causing mold, mildew, and bacteria, thus reducing the amount of time, chemicals and water needed to clean the bowl
- Vitreous china
- Elongated front rim
- 2-1/8" [54mm] fully glazed trapway
- 14" [356mm] rim height
- High efficiency siphon jet flush action
- Shipping Weight: 55 lbs

COMPLIANCE AND CERTIFICATION:

- Complies with ASME A112.19.2 / CSA B45.1



This product should be used with a WaterSense labeled counterpart with a compatible flush volume to ensure that the entire system meets the requirements for water efficiency and performance.

NOTE: To ensure system performance:
Minimum Running Water Pressure = 25 psi.



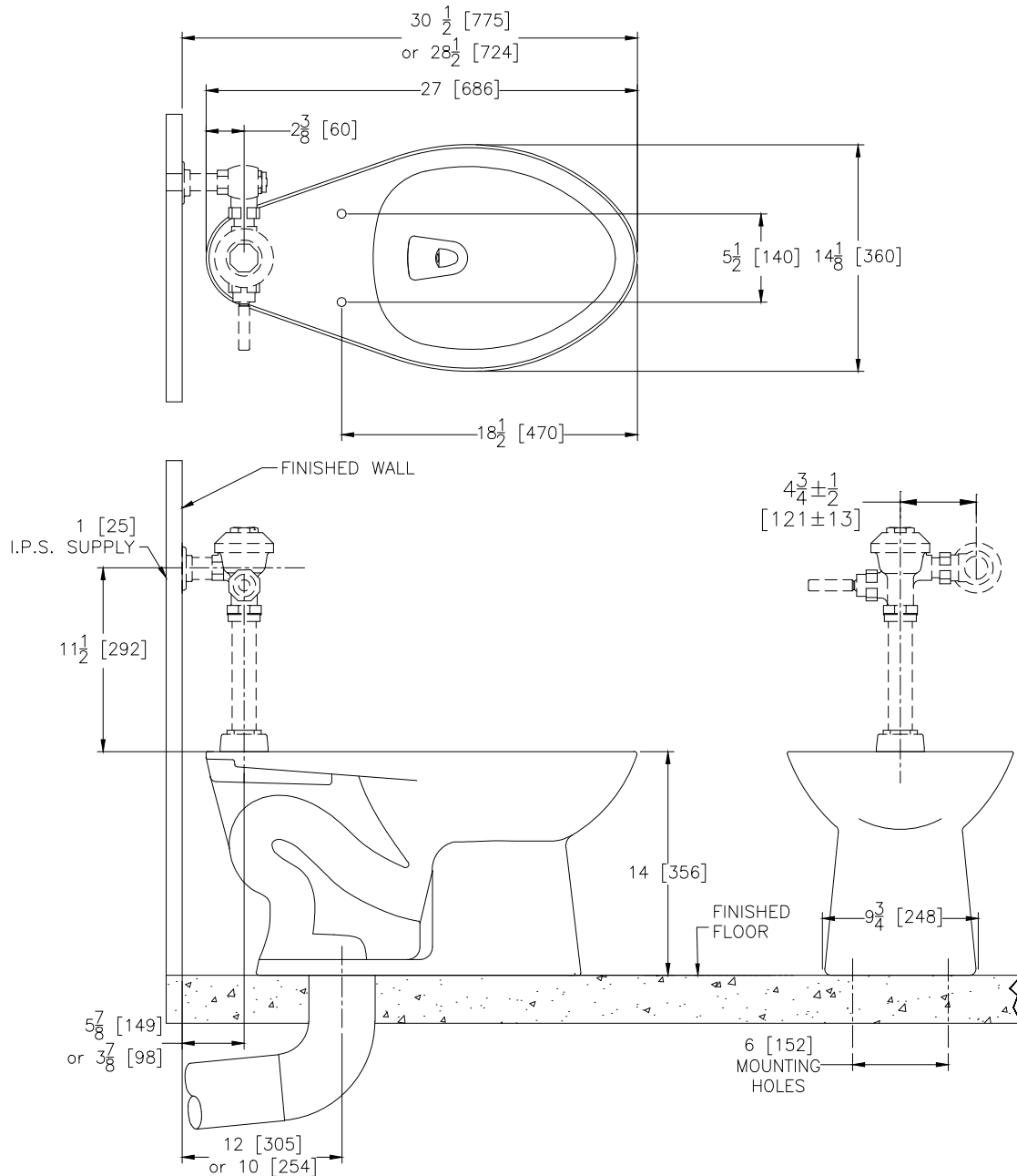
RECOMMENDED TRIM

- Z5955SS-EL Elongated, standard white, open front toilet seat less cover with stainless steel check hinge
- Z5972-COMB Closet bolt & wax ring kit

ARCHITECTURAL & ENGINEERING APPROVAL

The information contained in this document is subject to change without notice. Please contact Zurn for most up to date information.

Rough-in/Overview dimensions



NOTE: All dimensions are for reference only. Do not use for pre-plumbing.