



ARCHITECTURAL & ENGINEERING SPECIFICATION

Z5655-BWL1

EcoVantage High Efficiency Toilet System

Vitreous China, 1.1 gpf [4.2 Lpf] or greater high efficiency floor mounted bottom outlet toilet with siphon jet flushing action, elongated front rim with 1-1/2" [39 mm] top spud. This bowl is designed to perform to industry standards with flush volumes of 1.1 gallons per flush.

Z5655-BWL1-AM

EcoVantage High Efficiency Toilet System

Vitreous China, 1.1 gpf [4.2 Lpf] or greater high efficiency floor mounted bottom outlet toilet with siphon jet flushing action, ZurnSHIELD™ ceramic glaze and elongated front rim with 1-1/2" [39 mm] top spud. This bowl is designed to perform to industry standards with flush volumes of 1.1 gallons per flush.



PRODUCT FEATURES

Z5655 HET Series

- Zurn High Efficiency Toilets and paired performance flush valve systems are designed to exceed industry standards, while using as little as 1.1 gallons of water per flush
- Universal high efficiency toilet can be specified with 1.1 gpf [4.2 Lpf], 1.28 gpf [4.8 Lpf], 1.6 gpf [6.0 Lpf] or dual flush valves
- Vitreous China
- ZurnSHIELD™ ceramic glaze creates a permanent surface that protects the fixture by inhibiting the growth of stain and odor causing mold, mildew, and bacteria, thus reducing the amount of time, chemicals and water needed to clean the bowl
- Elongated front rim
- 2-1/8" [54 mm] fully glazed trapway
- High efficiency siphon jet flush action
- Shipping Weight: 55 lbs

COMPLIANCE AND CERTIFICATION:

- Complies with ASME A112.19.2 / CSA B45.1



This product should be used with a WaterSense labeled counterpart with a compatible flush volume to ensure that the entire system meets the requirements for water efficiency and performance.

NOTE: To ensure system performance:
Minimum Running Water Pressure = 25 psi.

VARIANT OPTIONS

- Z5655-BWL1 Z5655 Series top spud toilet
- Z5655-BWL1-AM Z5655 Series top spud toilet with ZurnSHIELD™ glaze

RECOMMENDED TRIM

- Z5955SS-EL Elongated, standard white, open front toilet seat less cover with stainless steel check hinge
- Z5972-COMB Closet bolt & wax ring kit

RECOMMENDED ZURN ONE SYSTEMS

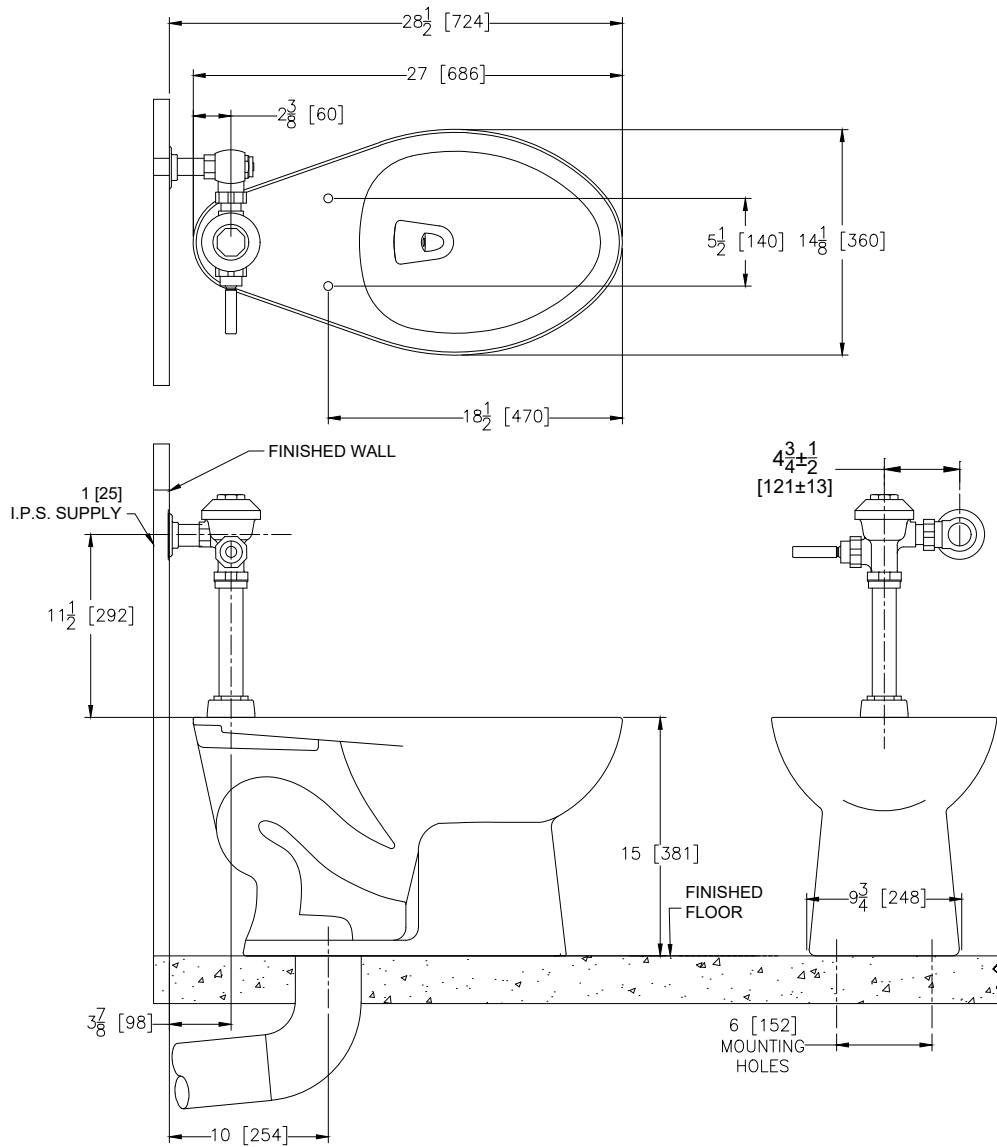
Complete fixture package with Z5655-BWL1 bowl, flush valve, seat and trim. See complete spec sheets for rough-in details.

ITEM NUMBER	DESCRIPTION	FLOWRATE
Z.WC3.M	Manual Z6000AV-ONE System	1.1 gpf
Z.WC3.S	EZ Flush Sensor ZER6000AV-ONE-SM System	1.1 gpf
Z.WC3.S.TM	Top Mount Sensor ZER6000AV-ONE-TM System	1.1 gpf
Z.WC4.M	Manual Z6000AV-ONE System	1.28 gpf
Z.WC4.S	EZ Flush Sensor ZER6000AV-ONE-SM System	1.28 gpf
Z.WC4.S.TM	Top Mount Sensor ZER6000AV-ONE-TM System	1.28 gpf



The information contained in this document is subject to change without notice. Please contact Zurn for most up to date information.

Rough-in dimensions/Overview dimensions



NOTE: All dimensions are for reference only. Do not use for pre-plumbing.