



HARDWIRED AUTOMATIC SENSOR FLUSH VALVE WITH MANUAL OVERRIDE BUTTON FOR 3/4" URINALS ZEMS6003AV-IS-MOB

TAG _____

ARCHITECTURAL & ENGINEERING SPECIFICATION

Exposed, quiet diaphragm-type, chrome plated flushometer valve with a polished exterior. Complete with chloramine resistant, dual seal diaphragm with a clog resistant by-pass. The valve incorporates a motor actuator, an integral infrared convergence-type proximity sensor and a manual sensor with capacitive sensing push button override, high impact resistant polycarbonate housing and chrome plated plastic cover with manual override push button and 10 degree angled sensor.

PRODUCT FEATURES

- Zurn's Aquavantage® TPE diaphragm with clog resistant-filter by-pass, chloramine resistant and dual seal
- Proprietary dezincification resistant low lead brass alloy
- Control stop has internal siphon-guard protection and vandal resistant stop cap, sweat solder kit, wall flange with set screw
- High back pressure vacuum breaker with one piece hex coupling nut
- Chloramine resistant Internal seals
- Adjustable tailpiece
- Spud coupling and flange for top spud connection
- Manual Override Button

COMPLIANCE AND CERTIFICATION:

- Complies with ASSE 1037 / ASME A112.1037 / CSA B125.37
- ADA Compliant



This product should be used with a WaterSense labeled counterpart with a compatible flush volume to ensure that the entire system meets the requirements for water efficiency and performance.



FLOW OPTIONS

	FLUSH VOLUME GPF	WATERSENSE COMPLIANT
-ULF	0.125	☑
-EWS	0.5	☑
-WS1	1.0	
-STANDARD	1.5	

SUFFIX OPTIONS

- YJ Split Ring Pipe Support
- YK Solid Ring Pipe Support
- Others

ACCESSORIES (ORDER SEPARATE AS SPECIFIED)

- P6900-ACA-BA 7.6VDC Plug-In ACA Power Supply
Powers up to 4 valves
- P6000-HW6 7.6VDC Hardwired Power Converter
Powers up to 8 valves
- P6000-MJ Mini Junction Box

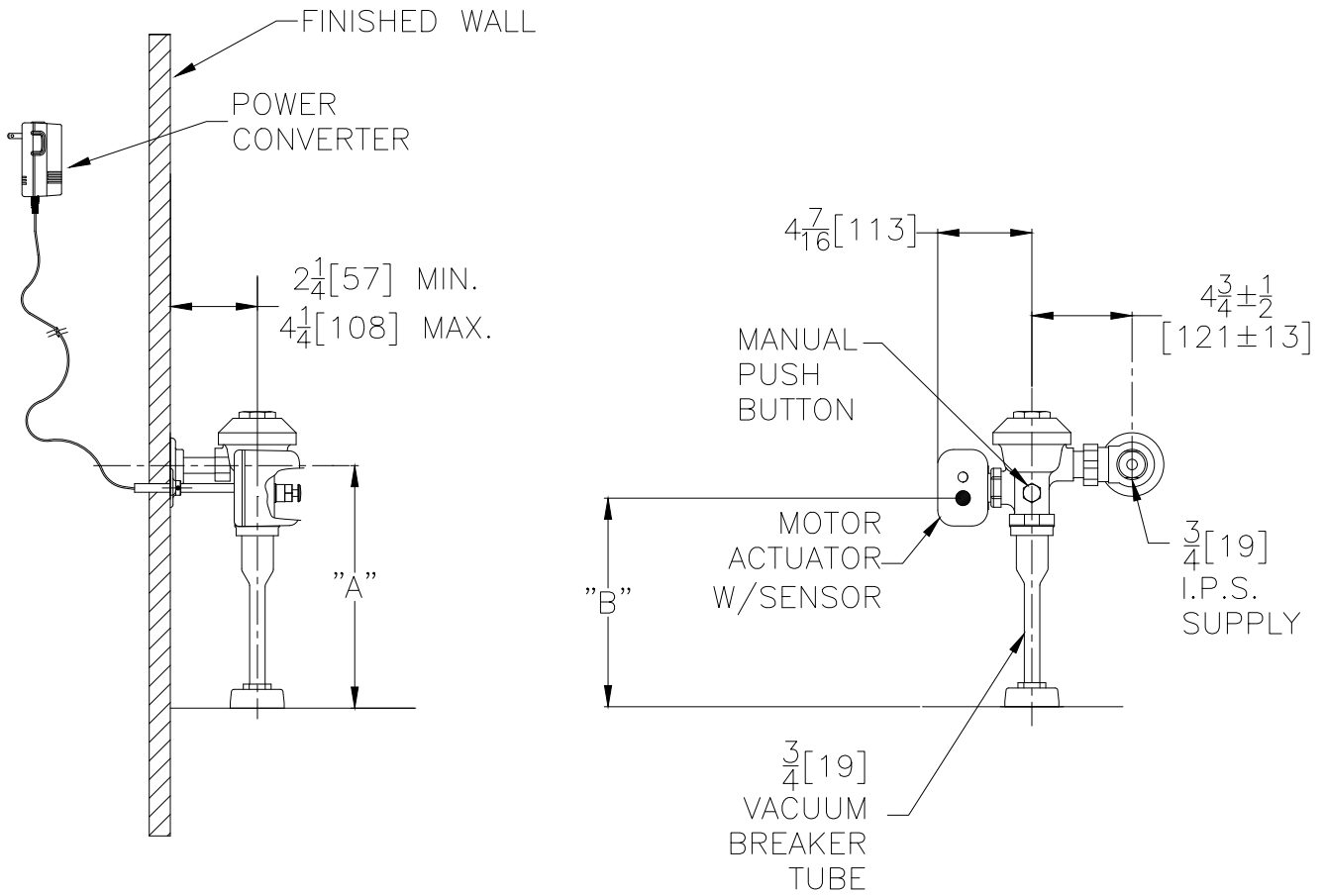
VALVE HEIGHT OPTIONS

	DIMENSION A INCH [MM]	DIMENSION B INCH [MM]
-STANDARD	11 1/2" [292]	9 3/16" [233]
-1	16" [406]	13 11/16" [348]
-2	24" [610]	21 11/16" [551]

ARCHITECTURAL & ENGINEERING APPROVAL

The information contained in this document is subject to change without notice. Please contact Zurn for most up to date information.

Rough-in dimensions/Overview dimensions



NOTE: All dimensions are for reference only. Do not use for pre-plumbing.