

ARCHITECTURAL & ENGINEERING SPECIFICATION

Zurn AquaSense® Sensor Faucets create a more hygienic, sustainable, and reliable restroom experience by utilizing gear-driven ceramic cartridge operation with no solenoids to replace and renewable hydropower. The unit is furnished with a plain end spout with Laminar Flow Control in base of spout and adjustable timeout feature. Customize usage settings wirelessly by using Zurn Elkay’s Bluetooth app, PlumbPro. Upgrade to the smart device version for fleet management, including real-time data.

Zurn Lead Free products are durable, high quality brass faucets and fixtures that are designed and manufactured to comply with Section 1417 of the Safe Drinking Water Act (SDWA) which mandates the weighted average lead content of no more than 0.25% of the wetted surface.

PRODUCT FEATURES

- Uses EZ Gear technology, a motor gear-driven ceramic cartridge that is less susceptible to debris and buildup for easy maintenance; outlasts and outperforms solenoids
- Hydro•X Power® technology delivers sustainable performance by providing renewable, uninterrupted hydropower designed to last the life of a commercial restroom.
- Intuitive and effortless, no-delay touchless sensor water activation
- Bluetooth-enabled for point-of-use wireless adjustability:
 - Adjustable Time Out Feature (30-second default time out)
 - Hygienic Line Flushing (on-demand or programmed)
 - Sensing modes (on-demand or metering)
 - Sensor Range Adjustment
 - Battery Status
- plumbSMART™ connected option available with suffix -W2 for remote monitoring and real-time usage insights to your connected plumbing ecosystem
- Quiet water flow and soft-close technology that eliminates water hammer
- Polished chrome-plated cast brass construction

COMPLIANCE AND CERTIFICATION:

- Complies with A112.18.1 / CSA B125.1
- ADA Compliant
- UPC Lead Free Compliant
- CEC & NYC 604.4 Compliant (when used with appropriate flow rate)

POWER SUPPLY OPTIONS

- Standard Sustainable Hydropower with Battery Backup (6 AA)
- ACA Plug-in Power Converter with Battery Backup
- CWB Connecting Wire for Hardwire with Battery Backup Installation (7 ft)

POWER SUPPLY ACCESSORIES (SOLD SEPARATELY)

- P6000-HW6 Hardwired Power Converter (Powers up to 8 Faucets)
- P6000-MJ Mini Junction Box (optional)



FLOW RATE OPTIONS

	FLOWRATE GPM [LPM]	VANDAL RESISTANT	CEC, NYC 604.4 COMPLIANT	OUTLET TYPE
-FC 0.5	0.5 [1.9]	☑	☑	Laminar w/Plain End
-FC 1.0	1.0 [3.8]	☑		Laminar w/Plain End
-FC 1.5	1.5 [5.7]	☑		Laminar w/Plain End
-FC 2.0	2.0 [7.6]	☑		Laminar w/Plain End

SUFFIX OPTIONS

- ADM Above Deck Mixer
- ADM-1 Above-Deck Mixer with 4” [102] cover plate
- ADM-2 Above-Deck Mixer with 8” [203] cover plate
- CP4 Cover Plate 4”[102] Centers
- CP8 Cover Plate 8”[203] Centers
- MV Temperature Mixing Valve
- SH Three Supply Hoses for Mixing Valve
- TMV-1 Thermostatic Mixing Valve for Single Faucets (ASSE Listed 1070)

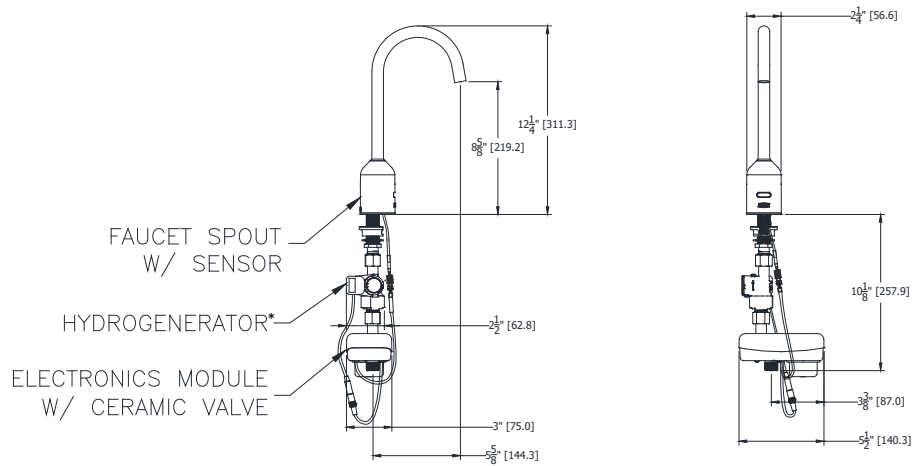
ARCHITECTURAL & ENGINEERING APPROVAL

TYPICAL ZG6920-FC

Hydropower with Battery Backup Powered Faucet

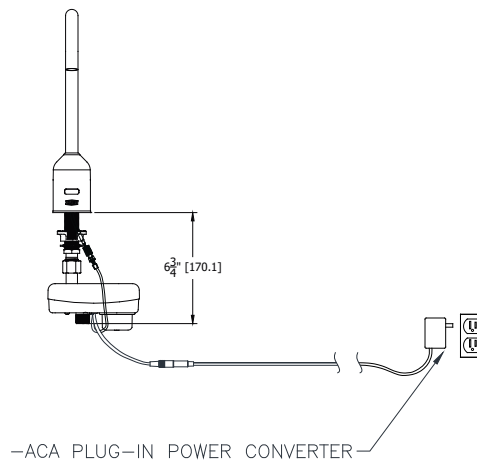
NOTE: Recommended through hole diameter to properly mount the spout/shank is 1-1/8" to 1-1/4".

*Hydrogenerator can be installed above or below the electronics module.



TYPICAL ZG6920-FC-ACA

Plug-in with Battery Backup Powered Faucet



TYPICAL ZG6920-FC-CWB

Hardwire with Battery Backup Powered Faucet

