



Model FSC-DOM

Cast Iron "Y" Type Strainer

Application

Domestic Y-Strainer

Zurn Wilkins model FSC-DOM is designed for installation on water lines to protect downstream equipment from malfunction or premature failure due to build-up of sediment or debris. Coated with FDA Epoxy Coating inside and out.

Standards Compliance

- WW-S-2739 (supersedes MIL-S 16293)
- Meets the requirements of NSF/ANSI 372

Materials

Main valve body	Cast Iron ASTM A 126 Class B
Access cover	Cast Iron ASTM A 126 Class B
Coatings	FDA Approved Epoxy Coating
Screens	Perforated Stainless Steel, 300 Series



LEAD FREE



Features

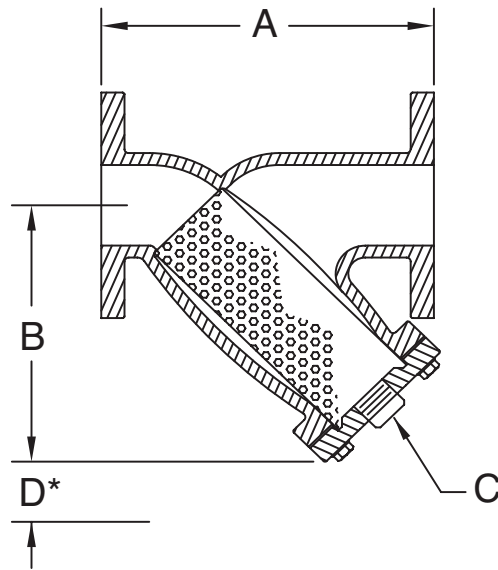
Sizes: 2 1/2", 3", 4", 6", 8", 10", 12"

Pressure/temperature:	200 psi @ 150°F WOG
	125 psi @ 450°F Steam
Flange connections:	ASME B16.1 Class 125

(Closure plug not furnished)

Screen

SIZE	SCREEN GAGE	OPENINGS DIA.	OPEN AREA	TOTAL SCREEN AREA(in ²)
2 1/2	28	1/16	30%	45.47
3	28	1/16	30%	54.68
4	28	1/16	30%	91.12
6	24	1/8	43%	237.76
8	24	1/8	43%	345.30
10	24	1/8	43%	537.30
12	24	1/8	43%	596.07



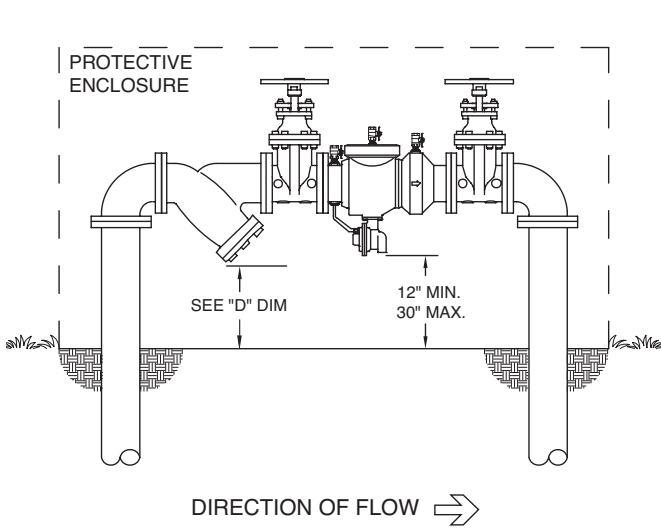
SIZE		DIMENSIONS (approximate)								WEIGHT	
		A		B		C	D*				
in	mm	in	mm	in	mm			in	mm	lbs.	kg.
2 1/2	65	10	254	6 1/8	156	1 NPT	6	152	24	11	
3	80	10 1/8	257	6 9/16	167	1 NPT	6	152	31	14	
4	100	12 1/8	308	8 1/16	205	1-1/2 NPT	9	229	50	23	
6	150	18 1/2	470	12 5/8	321	2 NPT	10	254	114	52	
8	200	21 5/8	549	15 5/8	397	2 NPT	11	279	203	92	
10	250	25 3/4	654	17 3/4	451	2 NPT	14	356	293	133	
12	300	29 7/8	759	21 5/16	541	2 NPT	17	432	489	222	

*Vertical clearance for screen removal

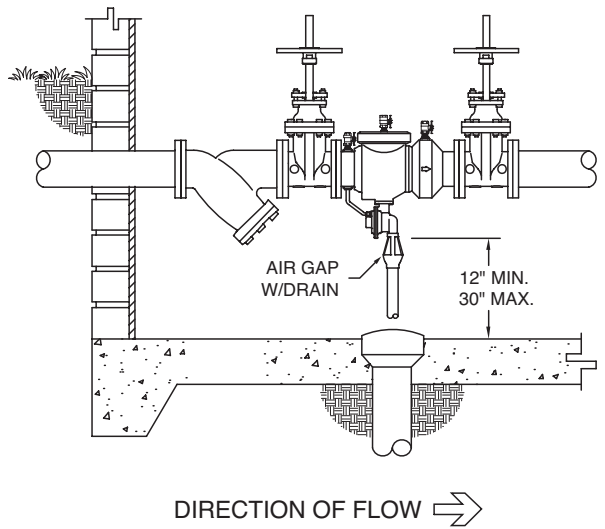
Capacity thru Schedule 40 Pipe (GPM)					Cv
Pipe Size	5 ft/sec	7.5 ft/sec	10 ft/sec	15 ft/sec	
2 1/2"	75	112	149	224	98
3"	115	173	230	346	155
4"	198	298	397	595	269
6"	450	675	900	1351	585
8"	780	1169	1559	2339	942
10"	1229	1843	2458	3687	1572
12"	1744	2617	3489	5233	2261

Typical Installation

Local codes shall govern installation requirements. Unless otherwise specified, the assembly shall be mounted with sufficient clearance for maintenance in accordance with the manufacturers' instructions and the latest edition of the Uniform Plumbing Code. The installation shall be made so that no part of the unit can be submerged. Horizontal installation with the strainer cap facing downward is the preferred installation orientation; however the strainer will provide protection in any orientation



Outdoor Installation



Indoor Installation

Specifications

The Cast Iron "Y" type strainer shall be in compliance with WW-S-2739 and certified to NSF/ANSI 372. The main body and access cover shall be cast iron (ASTM A 126 Class B) and coated with a FDA approved epoxy coating inside and out. The integral strainer screen shall be accessible for cleaning without removing the device from the line. The Cast Iron "Y" type strainer shall be a ZURN WILKINS Model FSC-DOM.