



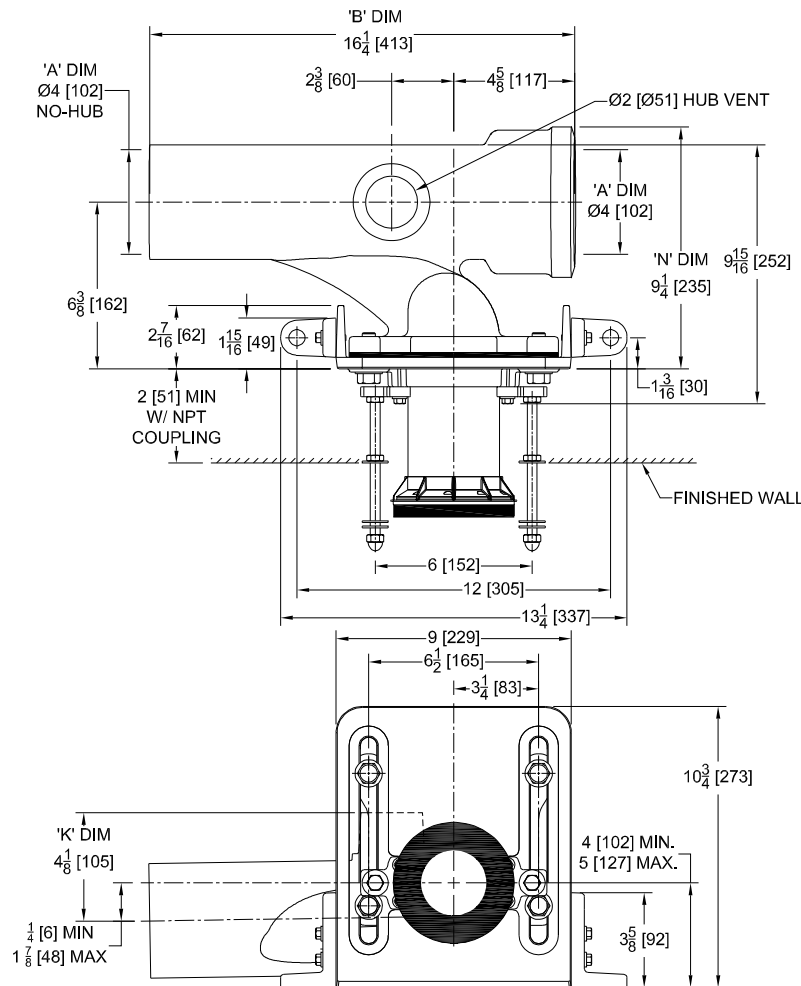
Z1201-H_4-FMBO

EZCARRY® ADJUSTABLE HORIZONTAL HIGH PERFORMANCE SIPHON
JET HUB AND SPIGOT WATER CLOSET CARRIER SYSTEM W/ FLOOR
MOUNT BACK OUTLET FIXTURE SUPPORT

SPECIFICATION SHEET

TAG _____

Design and Dimensional Data (inches and [mm]) are Subject to Manufacturing Tolerances and Change Without Notice



Product Number	Approx. Wt. Lbs. [kg]
Z1201-HL4-FMBO	44 [20]
Z1201-HR4-FMBO	

Notes:

1. Feet bolted to floor using min. 1/2 [13] dia. anchors.

Z1201-HR4-FMBO Illustrated

ENGINEERING SPECIFICATION: ZURN Z1201-H_4-FMBO

EZCarry® horizontal siphon jet water closet carrier system with high performance waterway and 4" [102mm] hub and spigot connections. Floor mount back outlet connection optimized for installation. System includes Dura-Coated cast iron main fitting with hydro-mechanically optimized sweep and extended 2" [51 mm] vent, adjustable faceplate, QuickFit™ faceplate gasket, floor mounted, back outlet fixture support, trim, bonded "Neo-Seal" gasket, and 3" dia [76mm] x 12" [305mm] EZ-Set™ Coupling designed to increase flow velocity and line carry.

OPTIONS (Check/specify appropriate options)

- ___ Z1201-HL4-FMBO 4 [102] Hub and Spigot Left Hand Inlet with Flow to Right
- ___ Z1201-HR4-FMBO 4 [102] Hub and Spigot Right Hand Inlet with Flow to Left

PREFIXES

- ___ ZQ D.C.C.I. System with Zurn EZ-Set™ NPT Coupling*

SUFFIXES

- ___ -G Galvanized Cast Iron
- ___ -VP Vandal-Proof Trim

* Regularly furnished unless otherwise specified.

⚠ WARNING: Cancer and Reproductive Harm - www.P65Warnings.ca.gov

⚠ ADVERTENCIA: Cáncer y daño reproductivo - www.P65Warnings.ca.gov

⚠ AVERTISSEMENT: Cancer et effets néfastes sur la reproduction - www.P65Warnings.ca.gov