

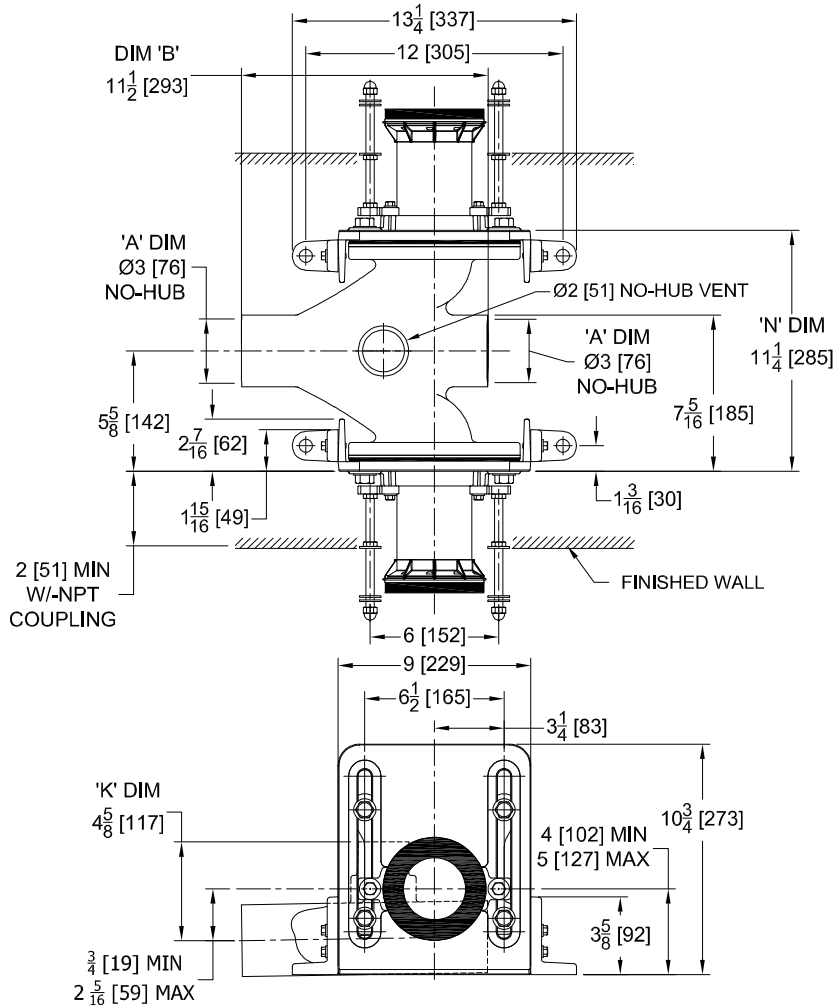


# Z1201-ND3-FMBO

EZCARRY® ADJUSTABLE HORIZONTAL HIGH PERFORMANCE BACK-TO-BACK SIPHON JET NO-HUB WATER CLOSET CARRIER SYSTEM W/ FLOOR MOUNTED, BACK OUTLET FIXTURE SUPPORT

TAG \_\_\_\_\_

Design and Dimensional Data (inches and [ mm ]) are Subject to Manufacturing Tolerances and Change Without Notice



| Product Number | Approx. Wt. Lbs. [kg] |
|----------------|-----------------------|
| Z1201-ND3-FMBO | 63 [29]               |

Notes:

- Feet bolted to floor using min.  $\frac{1}{2}$  [13] dia. anchors.

### Z1201-ND3-FMBO Illustrated

#### ENGINEERING SPECIFICATION: ZURN Z1201-ND3-FMBO

EZCarry® horizontal siphon jet water closet carrier system with high performance waterway and 3" [76mm] no-hub connections. Floor mount back outlet connections optimized for installation. System includes Dura-Coated cast iron main fitting with hydro-mechanically optimized sweeps and extended 2" [51mm] vent, adjustable faceplates, QuickFit™ faceplate gaskets, floor mounted, back outlet fixture supports, trim, bonded "Neo-Seal" gaskets and 3" dia [76mm] x 12" [305mm] EZ-Set™ Couplings designed to increase flow velocity and line carry.

#### OPTIONS (Check/specify appropriate options)

\_\_\_ Z1201-ND3-FMBO 3 [76] No-Hub Back-to-Back Inlet (Double)

#### PREFIXES

\_\_\_ ZQ D.C.C.I. System with Zurn EZ-Set™ NPT Coupling\*

#### SUFFIXES

- \_\_\_ -G Galvanized Cast Iron
- \_\_\_ -VP Vandal-Proof Trim

\* Regularly furnished unless otherwise specified.

⚠ **WARNING:** Cancer and Reproductive Harm - [www.P65Warnings.ca.gov](http://www.P65Warnings.ca.gov)

⚠ **ADVERTENCIA:** Cáncer y daño reproductivo - [www.P65Warnings.ca.gov](http://www.P65Warnings.ca.gov)

⚠ **AVERTISSEMENT:** Cancer et effets néfastes sur la reproduction - [www.P65Warnings.ca.gov](http://www.P65Warnings.ca.gov)