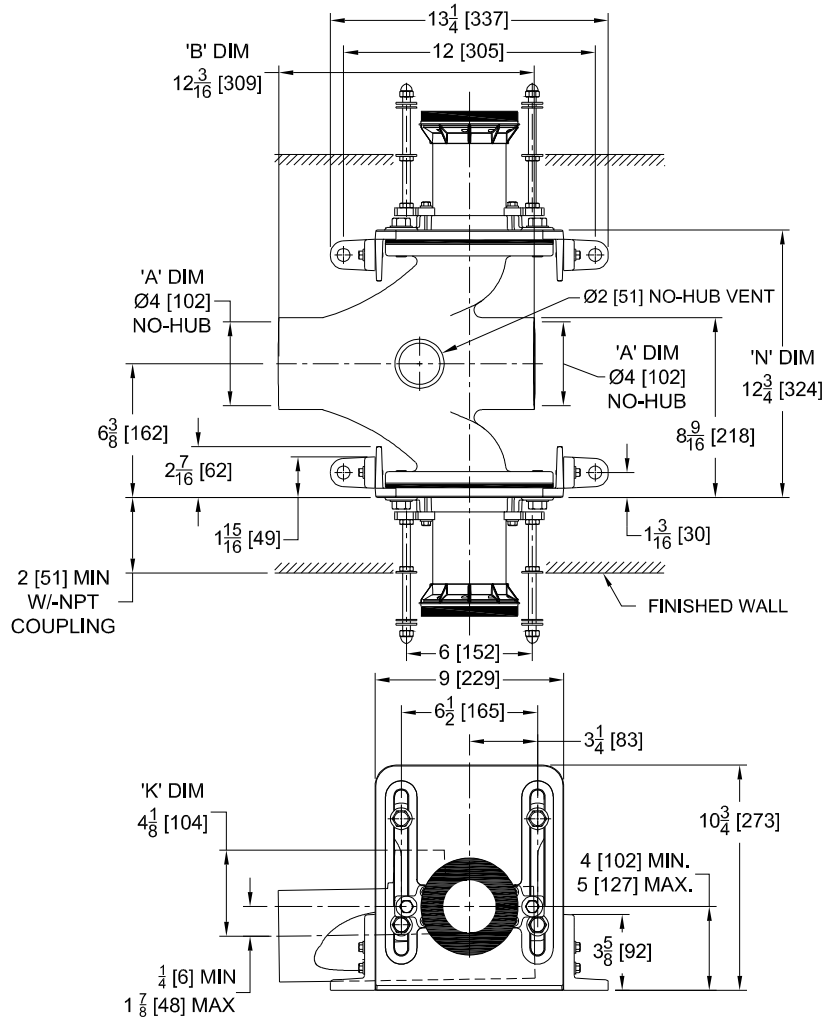




Z1201-ND4-FMBO

EZCARRY® ADJUSTABLE HORIZONTAL HIGH PERFORMANCE BACK-TO-BACK SIPHON JET NO-HUB WATER CLOSET CARRIER SYSTEM W/ FLOOR MOUNTED, BACK OUTLET FIXTURE SUPPORT

Design and Dimensional Data (inches and [mm]) are Subject to Manufacturing Tolerances and Change Without Notice



Product Number	Approx. Wt. Lbs. [kg]
Z1201-ND4-FMBO	66 [30]

Notes:

1. Feet bolted to floor using min. 1/2 [13] dia. anchors.

Z1201-ND4-FMBO Illustrated

ENGINEERING SPECIFICATION: ZURN Z1201-ND4-FMBO

EZCarry® horizontal siphon jet water closet carrier system with high performance waterway and 4" [102mm] no-hub connections. Floor mount back outlet connections optimized for installation. System included Dura-Coated cast iron main fitting with hydro-mechanically optimized sweeps and extended 2" [51mm] vent, adjustable faceplates, QuickFit™ faceplate gaskets, floor mounted, back outlet fixture supports, trim, bonded "Neo-Seal" gaskets and 3" dia [76mm] x 12" [305mm] EZ-Set™ Couplings designed to increase flow velocity and line carry.

OPTIONS (Check/specify appropriate options)

___ Z1201-ND4-FMBO 4 [102] No-Hub Back-to-Back Inlet (Double)

PREFIXES

___ ZQ D.C.C.I. System with Zurn EZ-Set™ NPT Coupling*

SUFFIXES

- ___ -G Galvanized Cast Iron
- ___ -VP Vandal-Proof Trim

* Regularly furnished unless otherwise specified.

⚠ **WARNING:** Cancer and Reproductive Harm - www.P65Warnings.ca.gov

⚠ **ADVERTENCIA:** Cáncer y daño reproductivo - www.P65Warnings.ca.gov

⚠ **AVERTISSEMENT:** Cancer et effets néfastes sur la reproduction - www.P65Warnings.ca.gov