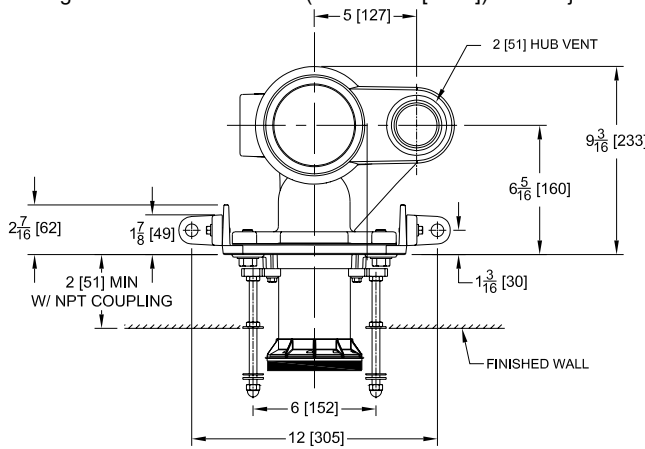




# Z1202-H4-FMBO

EZCARRY® ADJUSTABLE VERTICAL HIGH PERFORMANCE SIPHON  
JET HUB AND SPIGOT WATER CLOSET CARRIER SYSTEM  
W/ FLOOR MOUNT BACK OUTLET FIXTURE SUPPORT

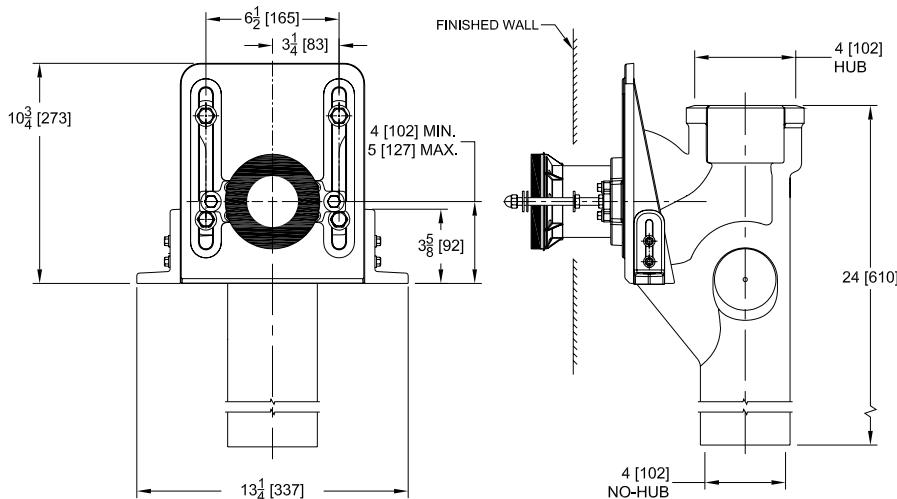
Design and Dimensional Data (inches and [ mm ]) are Subject to Manufacturing Tolerances and Change Without Notice



Product Number	Approx. Wt. lbs [kg]
Z1202-H4-FMBO	58 [26]

**Note:**

1. EZ-Set™ Coupling, Min. 'P' Dim. Obtainable = 2 [51]
2. Feet bolted to floor using min. 1/2 [13] dia. anchors.



**Z1202-H4-FMBO Illustrated**

### ENGINEERING SPECIFICATION: ZURN Z1202-H4-FMBO

EZCarry® vertical siphon jet water closet carrier system with high performance waterway and 4" [102mm] hub and spigot connections. Floor mount back outlet connection optimized for installation. System includes Dura-Coated cast iron main fitting with hydro-mechanically optimized sweep and extended 2" [51 mm] vent, adjustable faceplate, QuickFit™ faceplate gasket, floor mounted, back outlet fixture support, trim, bonded "Neo-Seal" gasket, and 3" dia [76mm] x 12" [305mm] EZ-Set™ Coupling designed to increase flow velocity and line carry.

### OPTIONS (Check/specify appropriate options)

\_\_\_ Z1202-H4-FMBO 4 [102] Hub and Spigot, Single Inlet, 2 [51] Right Hand Vent

### PREFIXES

\_\_\_ ZQ D.C.C.I. System with Zurn EZ-Set™ NPT Coupling\*

### SUFFIXES

- \_\_\_ -G Galvanized Cast Iron
- \_\_\_ -VP Vandal-Proof Trim

\* Regularly furnished unless otherwise specified.

⚠ **WARNING:** Cancer and Reproductive Harm - [www.P65Warnings.ca.gov](http://www.P65Warnings.ca.gov)

⚠ **ADVERTENCIA:** Cáncer y daño reproductivo - [www.P65Warnings.ca.gov](http://www.P65Warnings.ca.gov)

⚠ **AVERTISSEMENT:** Cancer et effets néfastes sur la reproduction - [www.P65Warnings.ca.gov](http://www.P65Warnings.ca.gov)