

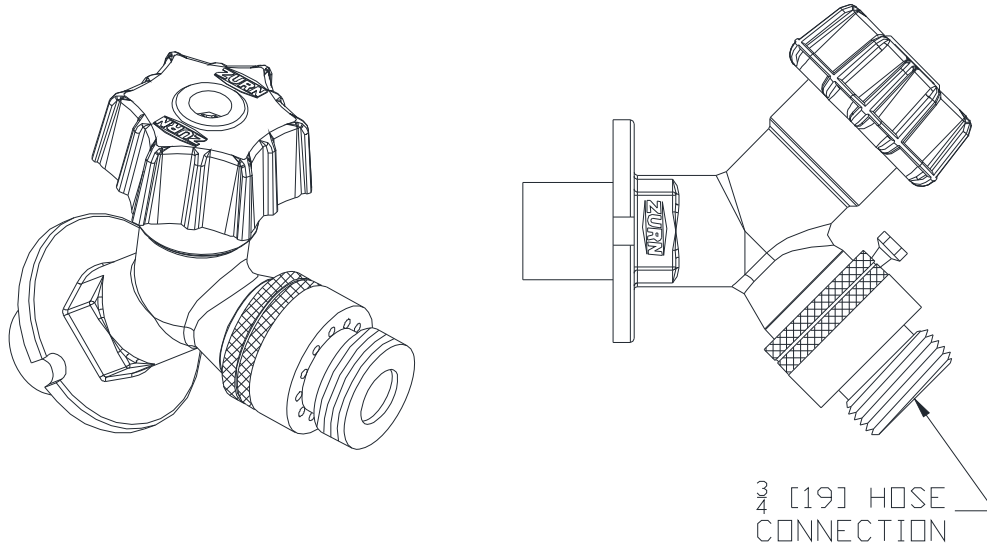


Z1341 Wall Faucet

SPECIFICATION SHEET

TAG _____

Dimensional Data (inches and [mm]) are Subject to Manufacturing Tolerances and Change Without Notice



Inlet Connection	Inlet Description in Inches	Approx. Wt. Lbs. [kg]
__ -C12	1/2 [13] Solder x 3/4 [19] Solder	2 [1]
__ -C12-PX	1/2 [13] PEX	2 [1]
__ -CP12	1/2 [13] Solder x 1/2 [13] MPT	2 [1]
__ -P12	1/2 [13] FPT	2 [1]
__ -P34	3/4 [19] FPT	2 [1]

ENGINEERING SPECIFICATION: Z1341

Exposed, anti-siphon, wall faucet for use in moderate climate installation, complete with Z1399-VB external vacuum breaker, all bronze interior components, vandal-resistant operating stem, rough bronze exterior and 3/4 [19] male hose connection (Conform to ASME B1.20.7). Furnished with choice of five different inlet connections. Provided with optional loose key handle.

OPTIONS (Check/specify appropriate options)

SUFFIXES

- ___ -LF Less Flange (-C12 and -CP12 only)
- ___ -PB Polished Bronze Finish
- ___ -PC Polished Chrome Finish
- ___ -RC Rough Chrome Finish
- ___ -RK Hydrant Parts Repair Kit



1011
(Hose Connection Vacuum Breaker)

* Regularly furnished unless otherwise specified.

Zurn Industries, LLC | Specification Drainage Operation
1801 Pittsburgh Avenue, Erie, PA U.S.A. 16502 · Ph. 855-663-9876, Fax 814-454-7929
In Canada | Zurn Industries Limited
3544 Nashua Drive, Mississauga, Ontario L4V 1L2 · Ph. 905-405-8272, Fax 905-405-1292
www.zurn.com

Rev. F
Date: 10/22/13
C.N. No. 130143
Prod. | Dwg. No. Z1341