



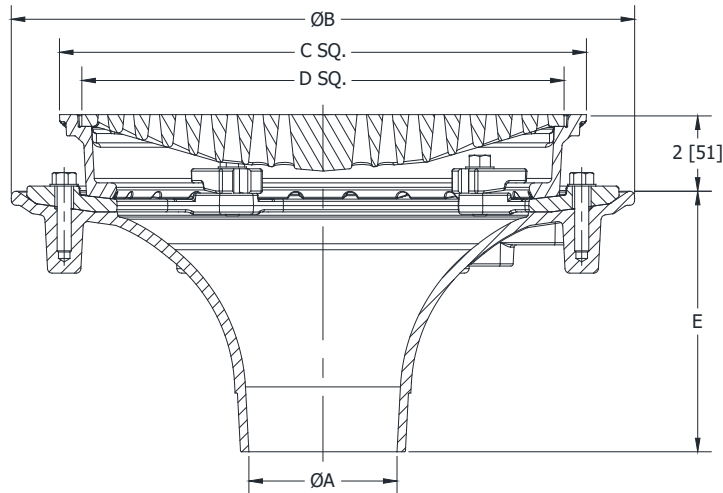
Z150F

FLOFORCE™ HIGH PERFORMANCE PROMENADE DECK DRAIN WITH ROTATABLE FRAME AND HEEL-PROOF GRATE

SPECIFICATION SHEET

TAG _____

Design and Dimensional Data (inches and [mm]) are Subject to Manufacturing Tolerances and Change Without Notice



4 [102] No-Hub Illustrated

A Outlet Size In. [mm]	B Body Diameter In [mm]	C Frame Size In [mm]	D Grate Size In [mm]	Weight lbs [kg]	Grate Open Area Sq. In. [cm2]
2,3,4 [51,76,102]	16-9/16 [421]	14 [356]	12-13/16 [325]	66 [30]	44 [284]
6,8 [152, 203]	20-3/32 [510]	18 [457]	16-13/16 [427]	94 [43]	70 [452]

ENGINEERING SPECIFICATION: ZURN Z150F

FLOFORCE™ High efficient flow performing roof drain for promenade deck roof drain applications. Drain incorporates a smooth funnel-shaped interior surface, providing a seamless transition to outlet connection and eliminating internal obstructions within the body. Complete with Dura-Coated cast iron body with membrane flashing clamp, rotatable square promenade frame, seepage openings, securing clamps, and heavy-duty ductile iron heel-proof grate.

OPTIONS (Check/specify appropriate options)

PIPE SIZE

- 2, 3, 4 [51, 76, 102]
- 6, 8 [152, 203]
- 2, 3, 4 [51, 76, 102]
- 6 [152]
- 2, 3, 4 [51, 76, 102]
- 6, 8 [152, 203]
- 3, 4 [76, 102]
- 6 [152]

(Specify size/type) OUTLET

- _____ NH No-Hub
- _____ NH No-Hub
- _____ NL Neo-Loc
- _____ NL Neo-Loc
- _____ IP Threaded
- _____ IP Threaded
- _____ IC Inside Caulk
- _____ IC Inside Caulk

E BODY HT. DIM.

- 6-15/16 [176]
- 7-7/16 [189]
- 7-3/8 [187]
- 8-1/32 [204]
- 5-15/16, 6-3/16, 6-5/16 [151, 157, 160]
- 6-11/16, 6-3/4 [170, 171]
- 5-13/16 [148]
- 6-1/16 [154]

PREFIXES

- _____ Z D.C.C.I. Body and Frame with Ductile Iron Grate*
- _____ ZN D.C.C.I. Body and Frame with Ductile Iron Grate and Polished Nickel Bronze Veneer Finish

SUFFIXES

- _____ -AR Acid Resistant Epoxy Coated
- _____ -C Underdeck Clamp
- _____ -DP Top-Set® Deck Plate (Replaces both the -C and -R)
- _____ -DR Top-Set® Drain Riser
- _____ -E Static Extension 1 [25] thru 4 [102] (Specify Ht.)
- _____ -EA Adjustable Extension Assembly 2-1/8 [54] thru 3-1/2 [89]
- _____ -G Galvanized Cast Iron
- _____ -PD Low-Profile Pedestal Paver Dome
- _____ -R Roof Sump Receiver
- _____ -SC Secondary Clamp Collar
- _____ -TC Neo-Loc Test Cap Gasket (2, 3, 4 [51, 76, 102] NL Bottom Outlet Only)
- _____ -VP Vandal-Proof Secured Top
- _____ -Y Type 304 [CF8] SS Sediment Bucket
- _____ -85 Type 304 [CF8] Stainless Steel Perforated Extension
- _____ -89 2 [51] High Overflow Dam and Low-Profile Pedestal Paver Dome

* Regularly furnished unless otherwise specified

⚠ WARNING: Cancer and Reproductive Harm - www.P65Warnings.ca.gov

⚠ ADVERTENCIA: Cáncer y daño reproductivo - www.P65Warnings.ca.gov

⚠ AVERTISSEMENT: Cancer et effets néfastes sur la reproduction - www.P65Warnings.ca.gov

Zurn Industries, LLC | Specification Drainage Operation
1801 Pittsburgh Avenue, Erie, PA 16502, Ph. 855.663.9876

In Canada | Zurn Industries Limited
7900 Goreway Drive, Unit 10, Brampton, Ontario L6T 5W6, Ph. 877.892.5216

www.zurn.com

Rev. -
Date: 08/08/2022
C.N. No. 144780
Prod. | Dwg. No. Z150F FLOFORCE™ Page 1 of 1