



Z1840-8S

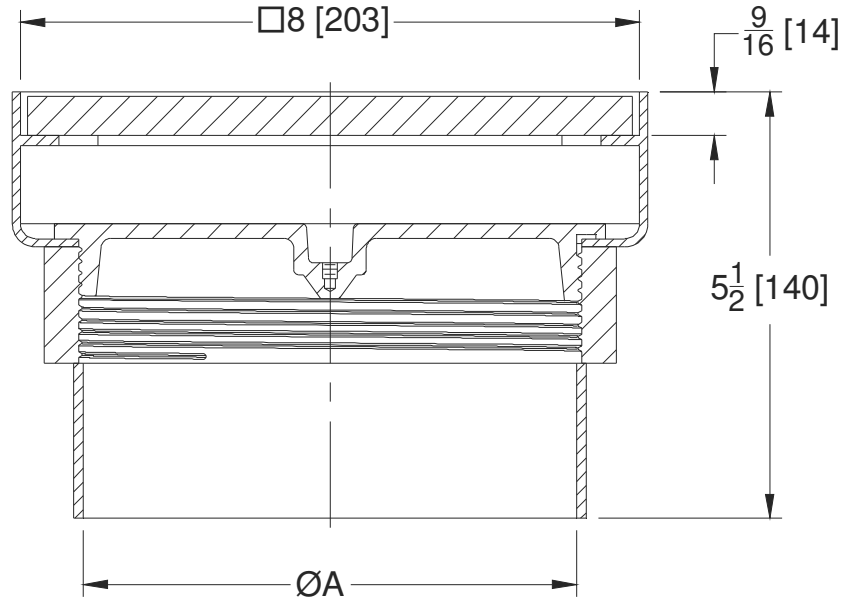
8" x 8" [203 x 203] SQUARE INDUSTRIAL FLOOR CLEANOUT

SPECIFICATION SHEET

TAG _____

Dimensional Data (inches and [mm]) are Subject to Manufacturing Tolerances and Change Without Notice

Approx. Wt. Lbs. [kg]
18 [8]



Engineering Specification: Z1840-8S

8" [203] Square, 12 gauge, type 304 stainless steel, Square industrial sanitary cleanout features heavy-duty grate (1/2 [13] thick plate), PVC plug, and bead blasted finish. Drain meets U.S. FDA standards for corrosion resistance.

Options (Check/specify appropriate options)

Pipe Size (ØA) (Specify type) **Outlet**

6 [152] ___ BW Butt-Weld

6 [152] ___ NH No-Hub

Prefixes

___ Z Type 304 (CF8) Stainless Steel*

___ ZM Type 316 (CF8M) Stainless Steel

Suffixes

___ -A Adjustable Threaded Outlet

* Regularly furnished unless otherwise specified.