



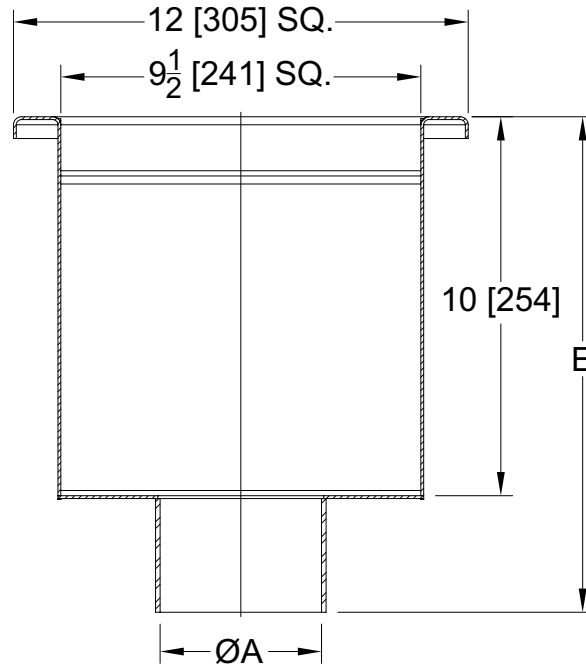
Z1852

12" x 12" x 10" [305 x 305 x 254] SQUARE INDUSTRIAL FLOOR SINK

SPECIFICATION SHEET

TAG _____

Design and Dimensional Data (inches and [mm]) are Subject to Manufacturing Tolerances and Change Without Notice



Approx. Wt. lbs [kg]
13 [6]

ENGINEERING SPECIFICATION: Z1852

12" X 12" X 10" [305 x 305 x 254] Deep, 14 gauge, type 304 stainless steel, loose set 12 gage light duty perforated grate, and stainless steel sediment basket.

OPTIONS (Check/specify appropriate options)

PIPE SIZE (ØA)

2, 3, 4, 6 [51, 76, 102, 152]
2, 3, 4, 6 [51, 76, 102, 152]

OUTLET (Specify Size/Type)

___ BW Buttt-Weld (Sch. 40)
___ NH No-Hub (Sch. 10)

PREFIXES

___ Z Type 304 (CF8) Stainless Steel*
___ ZM Type 316 (CF8M) Stainless Steel

SUFFIXES

___ -A Adjustable Threaded Outlet
___ -BF Butterfly Lock Sediment Basket (Only available in 4"[102mm] Outlet)
___ -K Anchor Flange
___ -KC Anchor Flange w/ Seepage Holes and Clamp Collar
___ -MG EZLock Magnetic Lock System
___ -P 1/2 [13] Trap Primer Connection
___ -VP Vandal Proof Secured Top

GRATE OPTIONS

___ -2 1/2 Grate
___ -3 3/4 Grate
___ -HD Heavy Duty Slotted Grate

* Regularly furnished unless otherwise specified

⚠ WARNING: Cancer and Reproductive Harm - www.P65Warnings.ca.gov

⚠ ADVERTENCIA: Cáncer y daño reproductivo - www.P65Warnings.ca.gov

⚠ AVERTISSEMENT: Cancer et effets néfastes sur la reproduction - www.P65Warnings.ca.gov

Zurn Industries, LLC | Specification Drainage Operation
1801 Pittsburgh Avenue, Erie, PA 16502, Ph. 855.663.9876

In Canada | Zurn Industries Limited
7900 Goreway Drive, Unit 10, Brampton, Ontario L6T 5W6, Ph. 877.892.5216

www.zurn.com

Rev. B
Date: 09/09/2021
C.N. No. 144042
Prod. | Dwg. No. Z1852