



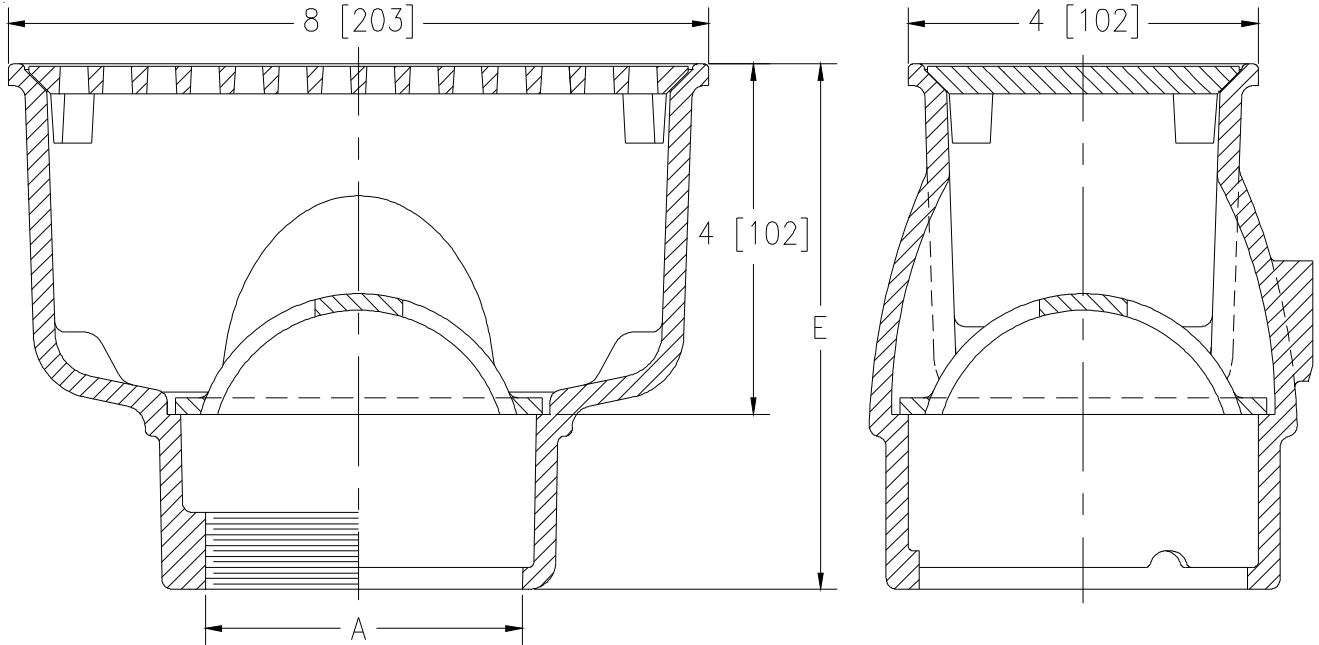
# Z1930

8 X 4 [203 X 102] A.R.C. SANI-FLOOR  
RECEPTOR 4 [102] SUMP DEPTH

SPECIFICATION SHEET

TAG \_\_\_\_\_

Dimensional Data (inches and [ mm ]) are Subject to Manufacturing Tolerances and Change Without Notice



A- Pipe Size in.[mm]	Approx Wt. lbs.[kg]	Grate Open Area in. <sup>2</sup> [cm <sup>2</sup> ]
2,3 [51,76]	11 [5]	7.5 [48]

### ENGINEERING SPECIFICATION: ZURN Z1930

Sani-Floor Receptor 8" x 4" x 4" [203mm x 102mm x 102mm] deep cast iron body and rectangular square hole light-duty grate, with white acid resisting epoxy coated interior and top, complete with white ABS anti-splash interior bottom dome strainer.

### OPTIONS (Check/specify appropriate options)

#### PIPE SIZE

- 3 [76]
- 2,3 [51,76]
- 2,3 [51,76]

#### (Specify size/type) OUTLET

- \_\_\_\_\_ IC Inside Caulk
- \_\_\_\_\_ IP Threaded
- \_\_\_\_\_ NL Neo-Loc

#### 'E' BODY HT. DIMENSION

Z	ZN
6 [152]	6-3/8 [162]
6 [152]	6-3/8 [162]
5-13/16 [148]	6-3/16 [157]

#### PREFIXES

- \_\_\_\_\_ Z Cast Iron Body with White A.R.C. Interior\*
- \_\_\_\_\_ ZN Cast Iron Body with White A.R.C. Interior, 8-3/4 x 4-3/4 [222 x 121] N.B. Frame and Full Grate with 5/16 [8] Square Openings

#### SUFFIXES

- \_\_\_\_\_ -K Anchor Flange
- \_\_\_\_\_ -KC Anchor Flange with Seepage Holes and Clamp Collar
- \_\_\_\_\_ -LD (Less) Bottom Dome Strainer
- \_\_\_\_\_ -P 1/2 [13] Trap Primer Connection
- \_\_\_\_\_ -S Secondary Strainer
- \_\_\_\_\_ -TC Neo-Loc Test Cap Gasket (2,3 [51,76] NL Bottom Outlet Only)
- \_\_\_\_\_ -1 (Less) Grate
- \_\_\_\_\_ -2 1/2 Grate
- \_\_\_\_\_ -3 3/4 Grate
- \_\_\_\_\_ -4 Full Grate with Square Center Opening
- \_\_\_\_\_ -6 Grate w/ 6 [102] Dia. x 6 [152] High Funnel
- \_\_\_\_\_ -8 Grate w/ 8-7/8 x 3-5/8 x 3-3/4 [225 x 92 x 95] High Oval Funnel
- \_\_\_\_\_ -11 Vandal-Proof Secured Grate
- \_\_\_\_\_ -15 Solid Loose Set Cover
- \_\_\_\_\_ -23 Stainless Steel Bucket
- \_\_\_\_\_ -25 White A.R.C. Bucket
- \_\_\_\_\_ -31 Stainless Steel Mesh Liner for Bucket
- \_\_\_\_\_ -32 Aluminum Dome Strainer
- \_\_\_\_\_ -33 White A.R.C. Anti-Splash Bottom Dome Strainer

\* Regularly furnished unless otherwise specified.