



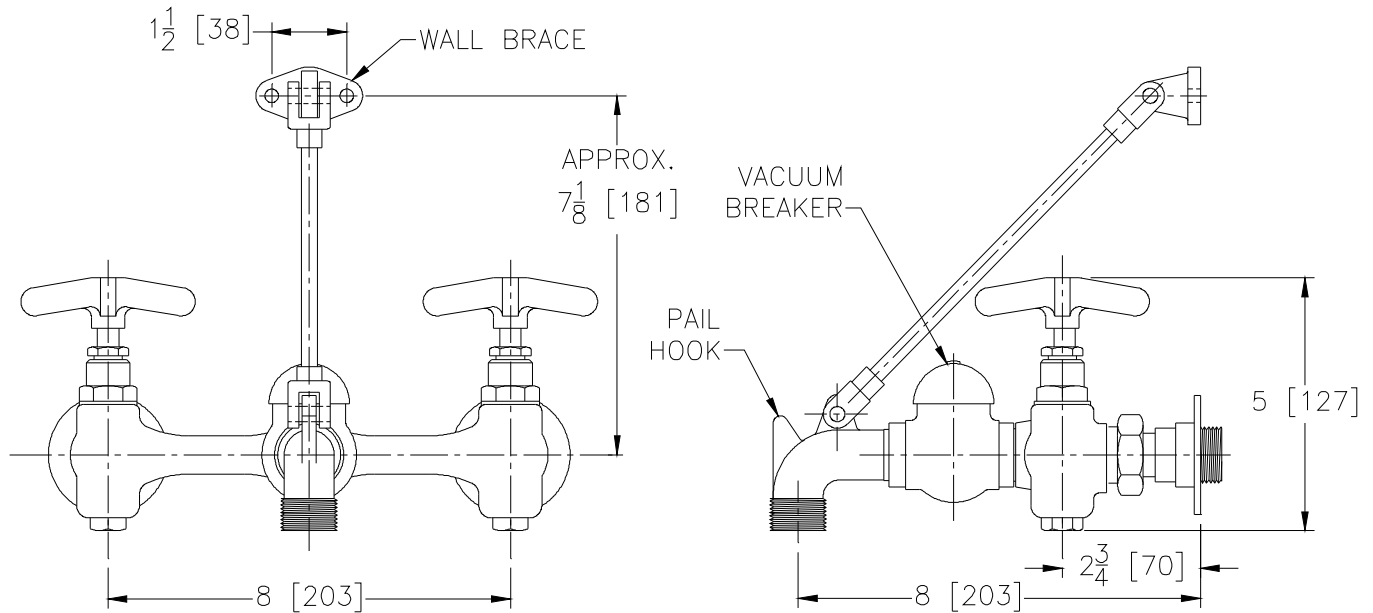
# Z1996-SF

## SERVICE SINK FAUCET

SPECIFICATION SHEET

TAG \_\_\_\_\_

Dimensional Data (inches and [ mm ]) are Subject to Manufacturing Tolerances and Change Without Notice



### ENGINEERING SPECIFICATION: Z1996-SF

Service Sink Faucet - Chrome plated service faucet, complete with vacuum breaker, integral stops, adjustable wall brace, pail hook, four-arm hot and cold handles and 3/4" [19mm] hose thread on spout. Water inlets are for 1/2" [13mm] pipe and are eccentric on an 8" [203mm] centerline. (Note: Atmosphere vacuum breaker not intended for continuous pressure applications.)

#### NOTE:

CONFORMS TO: ASME A112.18.1-2005/CSA B125.1-2005

\* Regularly furnished unless otherwise specified.

Zurn Industries, LLC | Specification Drainage Operation  
1801 Pittsburgh Avenue, Erie, PA U.S.A. 16502 · Ph. 855-663-9876, Fax 814-454-7929  
In Canada | Zurn Industries Limited  
3544 Nashua Drive, Mississauga, Ontario L4V 1L2 · Ph. 905-405-8272, Fax 905-405-1292  
[www.zurn.com](http://www.zurn.com)

Rev. E  
Date: 03/17/15  
C.N. No. 132359  
Prod. | Dwg. No. Z1996-SF