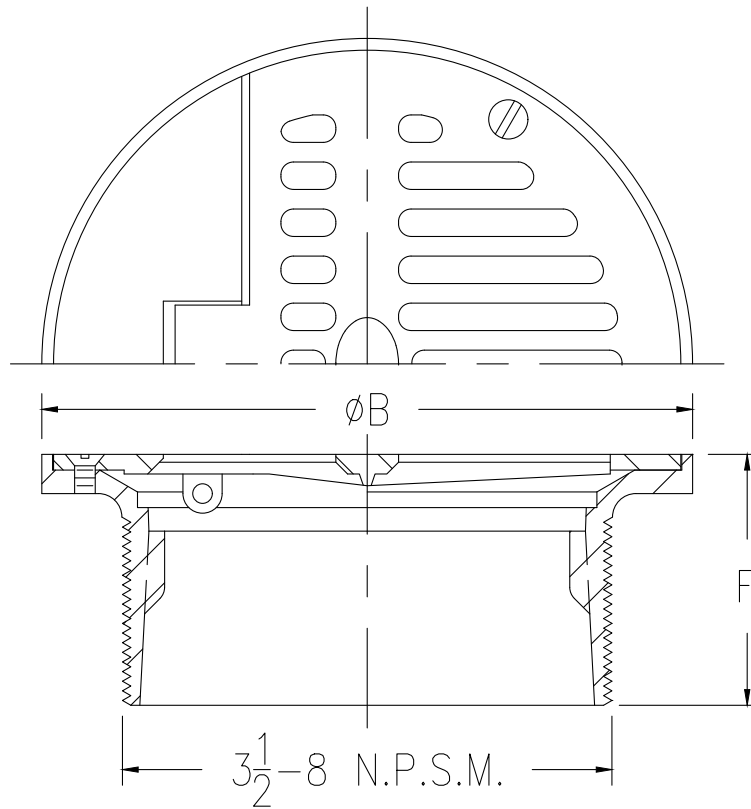


Design and Dimensional Data (inches and [mm]) are Subject to Manufacturing Tolerances and Change Without Notice



Strainer Designation	Dimension in Inches [mm]		Approx. Wt. Lbs. [kg]	Open Area Sq. In. [cm ²]
	Size B	Height F		
-5C	5 [127]	2 [51]	2 [1]	8 [52]
-6C	6 [152]	2-1/4 [57]	3 [1]	9 [58]
-7C	7 [178]	2-5/8 [67]	4 [2]	13 [84]
-8C	8 [203]	2-5/8 [67]	5 [2]	18 [116]

ENGINEERING SPECIFICATION: ZURN Z()400C "TYPE C" round adjustable light-duty strainer top with slotted heel-proof openings and hinged grate. (Specify ZB or ZN finish)

OPTIONS (Check/specify appropriate options)

PREFIXES

- ___ ZB Polished Bronze Top
- ___ ZN Polished Nickel Bronze Top*

SUFFIXES

- ___ -CP Chrome Plated Bronze Top
- ___ -PC Protective Cover
- ___ -V Backwater Valve
- ___ -VP Vandal-Proof Secured Top
- ___ -Y Sediment Bucket

* Regularly furnished unless otherwise specified.

⚠ WARNING: Cancer and Reproductive Harm - www.P65Warnings.ca.gov

⚠ ADVERTENCIA: Cáncer y daño reproductivo - www.P65Warnings.ca.gov

⚠ AVERTISSEMENT: Cancer et effets néfastes sur la reproduction - www.P65Warnings.ca.gov

Zurn Industries, LLC | Specification Drainage Operation
 1801 Pittsburgh Avenue, Erie, PA 16502, Ph. 855.663.9876

In Canada | Zurn Industries Limited
 7900 Goreway Drive, Unit 10, Brampton, Ontario L6T 5W6, Ph. 877.892.5216

www.zurn.com

Rev. G
 Date: 01/03/23
 C.N. No. 144898
 Patent zurn.com/patents
 Prod. | Dwg. No. Z400C