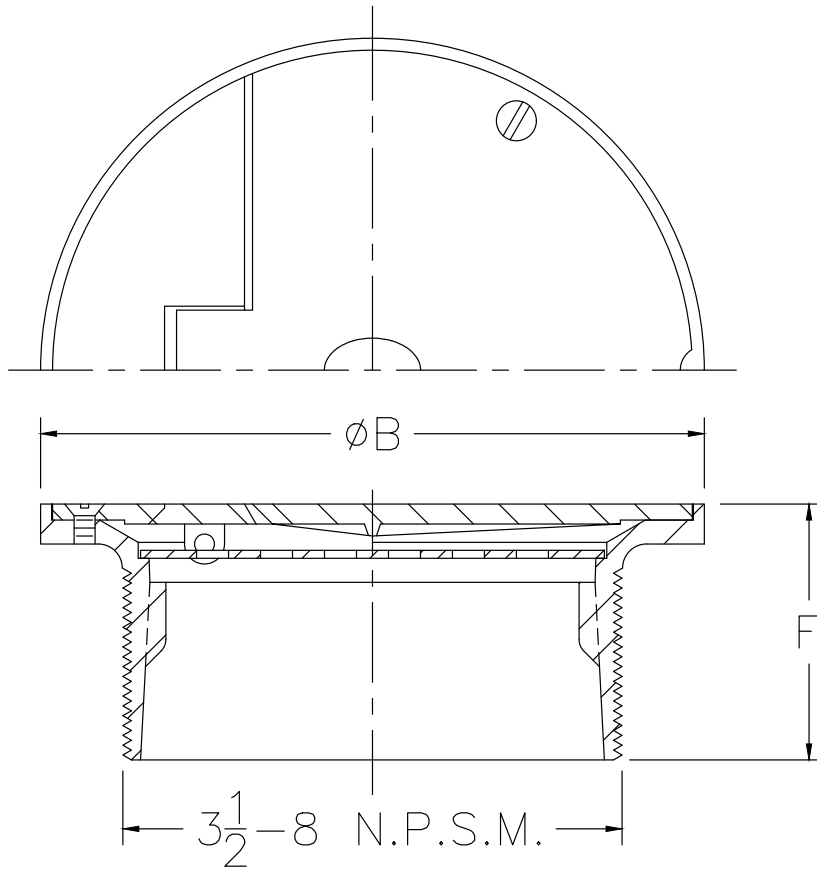


Design and Dimensional Data (inches and [mm]) are Subject to Manufacturing Tolerances and Change Without Notice



| Strainer Designation | Dimension in Inches [mm] | | Approx. Wt. Lbs. [kg] |
|----------------------|--------------------------|------------|-----------------------|
| | Size B | Height F | |
| -5D | 5 [127] | 2 [51] | 3 [1] |
| -6D | 6 [152] | 2-1/4 [57] | 4 [2] |
| -7D | 7 [178] | 2-5/8 [67] | 5 [2] |
| -8D | 8 [203] | 2-5/8 [67] | 6 [3] |

ENGINEERING SPECIFICATION: ZURN Z()400D "TYPE D" round adjustable light-duty strainer top with solid hinged cover, and secondary strainer. (Specify ZB or ZN finish)

OPTIONS (Check/specify appropriate options)

PREFIXES

- ___ ZB Polished Bronze Top
- ___ ZN Polished Nickel Bronze Top*

SUFFIXES

- ___ -PC Protective Cover
- ___ -V Backwater Valve
- ___ -VP Vandal-Proof Secured Top
- ___ -Y Sediment Bucket

* Regularly furnished unless otherwise specified.

⚠ WARNING: Cancer and Reproductive Harm - www.P65Warnings.ca.gov

⚠ ADVERTENCIA: Cáncer y daño reproductivo - www.P65Warnings.ca.gov

⚠ AVERTISSEMENT: Cancer et effets néfastes sur la reproduction - www.P65Warnings.ca.gov

Zurn Industries, LLC | Specification Drainage Operation
1801 Pittsburgh Avenue, Erie, PA 16502, Ph. 855.663.9876

In Canada | Zurn Industries Limited
7900 Goreway Drive, Unit 10, Brampton, Ontario L6T 5W6, Ph. 877.892.5216

www.zurn.com

Rev. K
Date: 01/09/23
C.N. No. 144898
Patent zurn.com/patents
Prod. | Dwg. No. Z400D