



# Z5708-U

“Nano Pint®” 1/8 GPF, EcoVantage®,  
Ultra Low Consumption Urinal

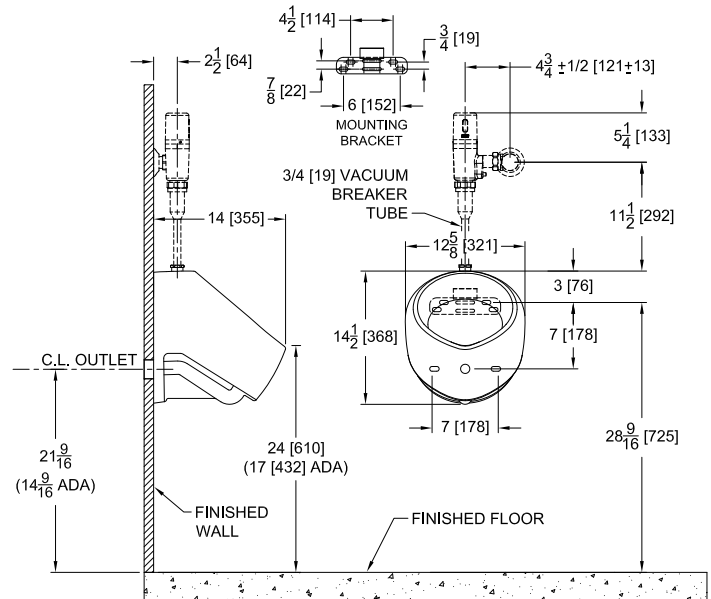
TAG \_\_\_\_\_

## Architectural/Engineering Specification:

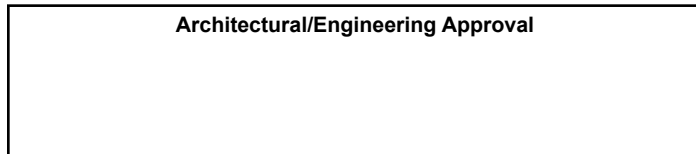
Vitreous china urinal is supplied with retrofit bracket, 3/4” top spud, 2” outlet connection, and vandal resistant outlet strainer.

## Product Features:

- 0.125 gpf [0.5 Lpf]
- Vitreous china
- Designed to retrofit 4 bolt pattern urinals with no work behind the finished wall required in most installations
- High efficiency washout flushing action
- Over 88% water savings over standard 1.0 gpf [4.0 Lpf] system
- Pressure compensating internal flow regulator
- 3/4” top spud
- 2” I.P.S. outlet flange and rubber gasket with integral trap
- 14” extended rim for handicap compliance when installed at proper height
- Assembled with vandal resistant outlet strainer
- Shipping weight: 24lbs.



See Zurn One Systems for suggested packages.



Rough-in/Overview dimensions for Z5708 Series

The information contained in this document is subject to change without notice.  
Please contact Zurn for most up to date information.

## Compliance and Certification:

- ADA Compliant
- WaterSense Compliant



This product should be used with a WaterSense labeled counterpart with a compatible flush volume to ensure that the entire system meets the requirements for water efficiency and performance.

Meets the American Disabilities Guidelines and ANSI A117.1 requirements when installed according to these requirements. Fixture dimensions meet ASME A112.19.2/CSA B45.1 requirements. In Canada - Consult local codes and standards.

