



# Z6954-SD

## Alamere® Series Sensor Soap Dispenser

TAG \_\_\_\_\_

### Product Description

The Alamere soap dispenser maintains a sleek and simple design that can be paired with a matching Alamere faucet for an automatic and user-friendly hand washing solution.

### Engineering Specification

ADA compliant, Battery or A/C power adapter, chrome plated sensor soap dispenser for retrofit and new construction.

- Long life internal pump
- 100K cycle battery life
- Liquid hand soap (sold separately)
- Adjustable dispensing amount
- 1600ml [54.1 oz] refillable soap bottle
- Complements Z6954-XL faucet



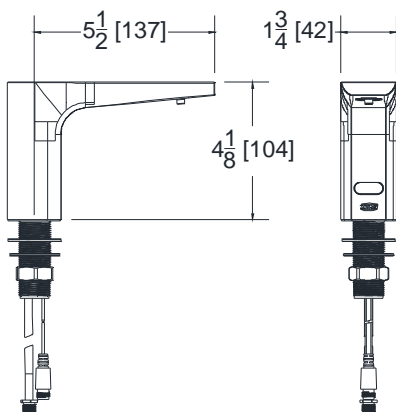
Z6954-SD

### Alternate Finishes

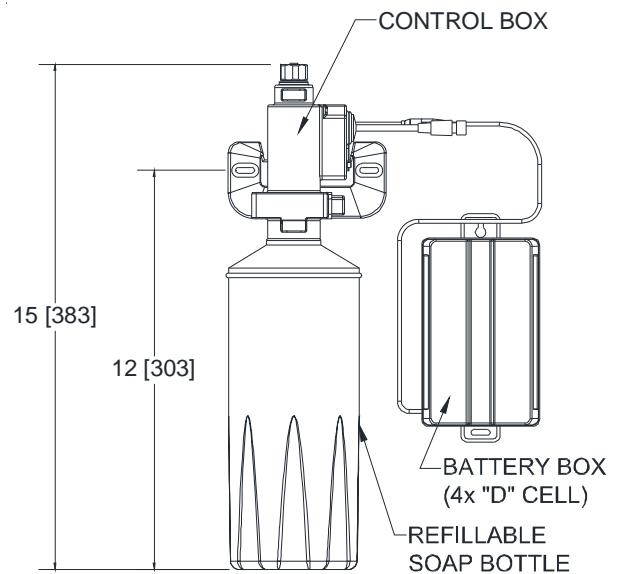
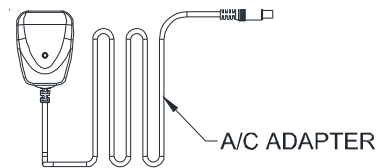
- BN Brushed Nickel
- PN Polished Nickel
- PB Polished Brass

### Standards Compliance

- ADA Compliant



DISPENSER SPOUT



### Typical Z6954-SD

Note: Recommended mounting through hole is 1" - 1 1/4"

Meets the American Disabilities Guidelines and ANSI A117.1 requirements when installed according to these requirements. In Canada - Consult local codes and standards.

**Architectural/Engineering Approval**

The information contained in this document is subject to change without notice. Please contact Zurn for most up to date information.