

**ARCHITECTURAL & ENGINEERING SPECIFICATION**

Polished chrome-plated 8" [203mm] brass deck faucet with a 8" [203mm] cast swing spout and centerline rigid or swing spout and quarter turn ceramic disc cartridges. Unit is furnished with a 2.2 GPM [8.3 LPM] pressure compensating aerator, 4" [102mm] vandal-resistant color-coded metal wrist blade handles, mounting hardware and 1/2" NPSM coupling nuts for standard lavatory risers. Zurn Lead Free products (-XL) is the line of durable, high quality brass faucets and fixtures that are designed and manufactured to comply with Section 1417 of the Safe Drinking Water Act (SDWA) which mandates the weighted average lead content of no more than 0.25% of the wetted surface.

**PRODUCT FEATURES**

- Ceramic Disc Cartridge
- Chrome-plated Cast Brass Body
- Widespread Handles Adjustable From 6" to 20" Centers
- 4" Vandal Resistant Color Coded metal wrist blade handles

**COMPLIANCE AND CERTIFICATION:**

- Complies with ASME A112.18.1/CSA B125.1
- Lead-Free Compliant
- ADA Compliant



**AERATOR OPTIONS**

	FLOWRATE GPM [LPM]	VANDAL RESISTANT	PRESSURE COMPENSATION	OUTLET TYPE
<b>-2F</b>	2.2 [8.3]	☑	☑	Aerator
<b>-3F</b>	0.5 [1.9]	☑	☑	Spray
<b>-4F</b>	2.2 [8.3]	☑	☑	Laminar
<b>-7F</b>	1.0 [3.8]		☑	Spray
<b>-16F</b>	1.0 [3.8]	☑	☑	Spray
<b>-17F</b>	1.5 [5.7]	☑	☑	Aerator
<b>-18F</b>	1.5 [5.7]	☑	☑	Laminar
<b>-22F</b>	1.0 [3.8]	☑		Laminar
<b>-25F</b>	0.35 [1.3]	☑	☑	Spray

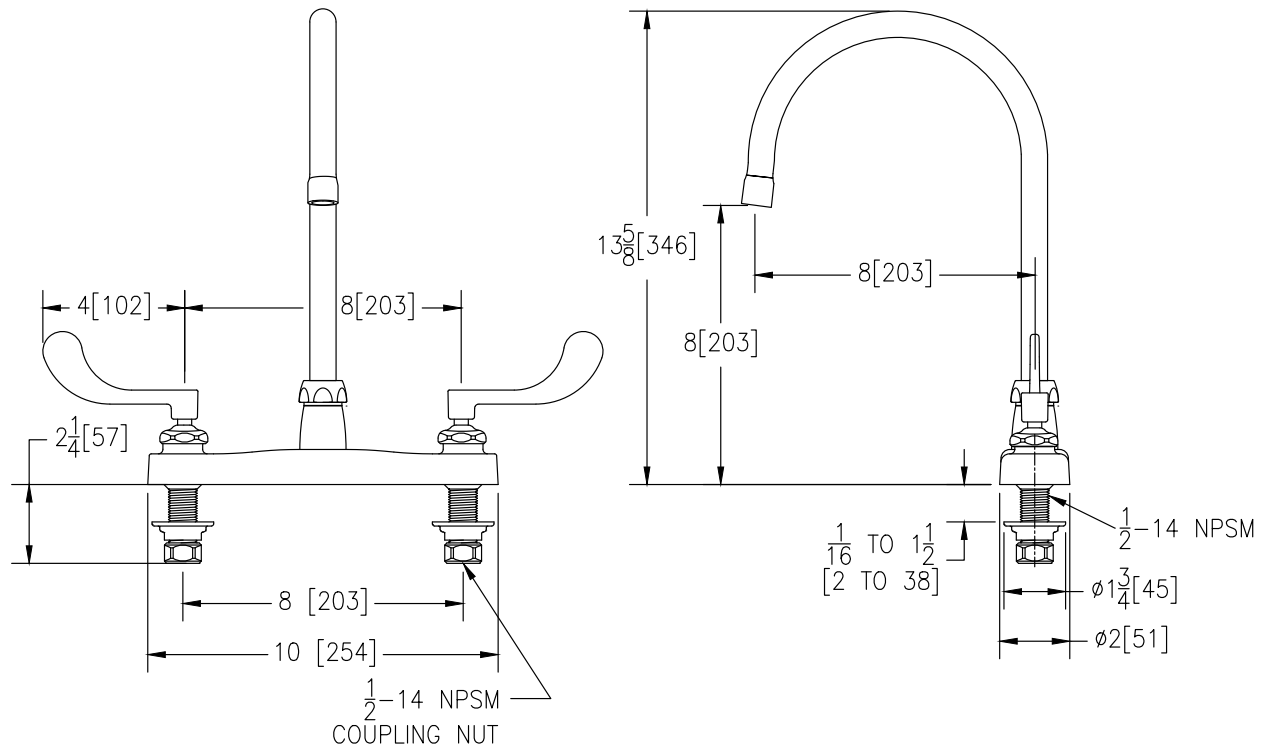
**SUFFIX OPTIONS**

- FC 2.0 GPM [7.6 LPM] Laminar Flow Control in Base of Spout
- HS Hose and Spray

ARCHITECTURAL & ENGINEERING APPROVAL

The information contained in this document is subject to change without notice. Please contact Zurn for most up to date information.

Rough-in/Overview dimensions



Note: All dimensions are for reference only. Do not use for pre-plumbing.