



# Z886-PVSS-OFFSET

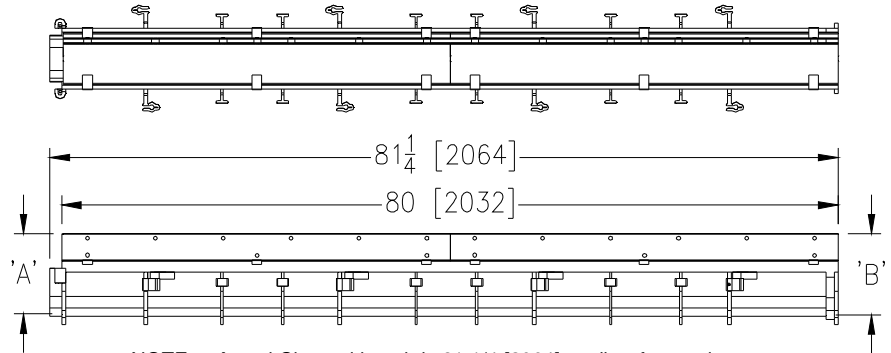
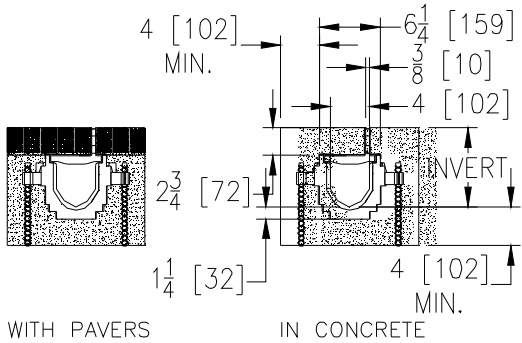
## 0.375 WIDE REVEAL TRENCH DRAIN SYSTEM WITH OFFSET PAVER SLOT GRATE

SPECIFICATION SHEET

TAG \_\_\_\_\_

Dimensional Data (inches and [mm]) are Subject to Manufacturing Tolerances and Change Without Notice

SPECIFYING ENGINEER IS RESPONSIBLE FOR CONCRETE ENCASEMENT AND REINFORCING BASED UPON APPLICATION AND LOCAL CODES



NOTE: + Actual Channel length is 81 1/4 [2064] to allow for overlap.

**ENGINEERING SPECIFICATION:** Zurn Z886-PVSS-OFFSET Channels shall be 80" [2032mm] long, 0.375" [10mm] wide slot and have a 4" [102mm] throat. Modular channel sections shall be made of 0% water absorbent High Density Polyethylene (HDPE). Shall have a positive mechanical connection between channel sections that will not separate during the installation and shall mechanically lock into the concrete surround a minimum of every 10" [254mm]. Channels shall weigh less than 2.31 lbs. [1.05kg] per linear foot, have a smooth, 1.5" [38mm] radiused self cleaning bottom with a Manning's coefficient of 0.009 and 0.75% or neutral 0% built in slope. Channels shall have rebar clips standard to secure trench in its final location. Shall be provided with standard PVS non-removable grates. Zurn 0.375" [10mm] wide reveal and 2.75" [70mm] tall fabricated Type 304 Stainless Steel Paver Slot grate with Ductile Iron reinforcing conforming to ASTM specification A536-84, Grade 80-55-06. is rated class B per the DIN EN1433 top load classifications. Supplied in 40" [1016mm] nominal lengths with 0.75" [19mm] bearing depth. Grate has an open area of 4.5 sq. in per ft. [9,525 sq. mm per meter].

**PREFIX OPTIONS (Check/specify appropriate options)**

\_\_\_ Z Six-foot, Eight-inch High Density Polyethylene (HDPE)\*

**SUFFIX OPTIONS (Check/specify appropriate options)**

**Outlet Adapters Add/Each**

- \_\_\_ -E1 Closed End Cap
- \_\_\_ -E2 2 [51] No-Hub End Outlet
- \_\_\_ -E3 3 [76] No-Hub End Outlet
- \_\_\_ -E4 4 [102] No-Hub End Outlet
- \_\_\_ -E6 6 [152] No-Hub End Outlet
- \_\_\_ -U2 2 [51] No-Hub Bottom Outlet
- \_\_\_ -U3 3 [76] No-Hub Bottom Outlet
- \_\_\_ -U4 4 [102] No-Hub Bottom Outlet
- \_\_\_ -U6 6 [152] No-Hub Bottom Outlet

**Frame Options**

- \_\_\_ -SW Sidewall Extensions - 9 [229] High
- \_\_\_ -SW2 Sidewall Extensions - 18 [457] High

**Miscellaneous Options**

- \_\_\_ -JC Joint Connector

Trench No.	'A' Shallow Inv.	'B' Deep Inv.	Flow		
			(cfs)	(gpm)	(lps)
8601	6.25 [159]	6.85 [174]	0.21	93	6
8602	6.85 [174]	7.45 [189]	0.27	122	8
8603	7.45 [189]	8.05 [204]	0.34	152	10
8603N	8.05 [204]	8.05 [204]	-	-	-
8604	8.05 [204]	8.65 [220]	0.41	183	12
8605	8.65 [220]	9.25 [235]	0.48	214	13
8606	9.25 [235]	9.85 [250]	0.55	245	15
8606N	9.85 [250]	9.85 [250]	-	-	-
8607	9.85 [250]	10.45 [265]	0.62	276	17
8608	10.45 [265]	11.05 [281]	0.69	308	19
8609	11.05 [281]	11.65 [296]	0.76	339	21
8610	11.65 [296]	12.25 [311]	0.83	371	23
8611	12.25 [311]	12.85 [326]	0.90	403	25
8612	12.85 [326]	13.45 [342]	0.97	435	27
8612N	13.45 [342]	13.45 [342]	-	-	-
8613	13.45 [342]	14.05 [357]	1.04	467	29
8614	14.05 [357]	14.65 [372]	1.11	498	31
8615	14.65 [372]	15.25 [387]	1.18	530	33

\* Regularly furnished unless otherwise specified.