



Z888-8

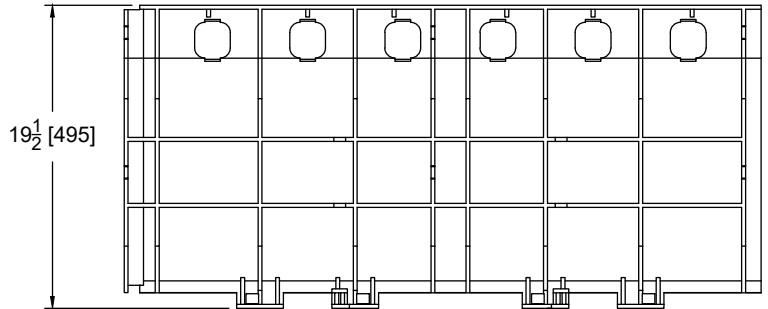
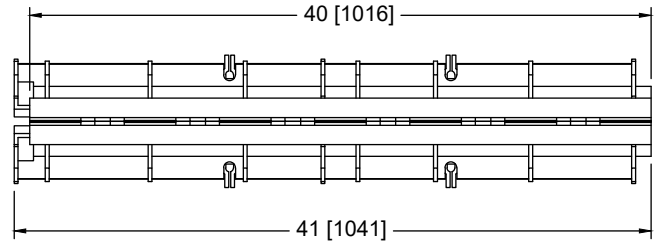
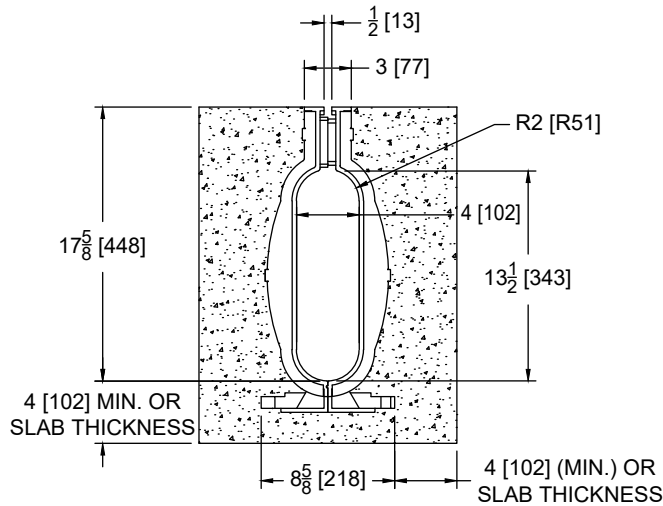
SLOTTED DRAINAGE SYSTEM FOR 8 [203] PIPE OR EQUIVALENT

SPECIFICATION SHEET

TAG _____

Dimensional Data (inches and [mm]) are Subject to Manufacturing Tolerances and Change Without Notice

SPECIFYING ENGINEER IS RESPONSIBLE FOR
CONCRETE ENCASEMENT AND REINFORCING
BASED UPON APPLICATION AND LOCAL CODES



ENGINEERING SPECIFICATION: Zurn Z888-8

Slot drain shall be 40 [1016] long, 4 [102] wide, and 17-5/8 [448] invert, with 1/2 [13] wide slot opening (ADA Compliant). Drain shall be made of (HDPE) High Density Polyethylene, and is UV-10 stabilized. Drain shall have rebar clips molded onto bedding feet and/or bedding feet shall be used for positioning and anchoring purposes. Overlap connection shall be interlocked.

PREFIXES

___ Z High Density Polyethylene Slot Drain with Integral Top Frame*

SUFFIXES (Check/specify appropriate options)

- ___ -E1 Closed End Cap
- ___ -E2 2 [51] No-Hub End Outlet
- ___ -E3 3 [76] No-Hub End Outlet
- ___ -E4 4 [102] No-Hub End Outlet
- ___ -E6 6 [152] No-Hub End Outlet
- ___ -E8 8 [203] No-Hub End Outlet
- ___ -EXT 4 [102] Extension
- ___ -PVSS Stainless Steel Frame with Slot
- ___ -U2 2 [51] No-Hub Bottom Outlet
- ___ -U3 3 [76] No-Hub Bottom Outlet
- ___ -U4 4 [102] No-Hub Bottom Outlet
- ___ -WS25 1/4 [6] Wide Heel-Proof Slots
- ___ -WS75 3/4 [19] Wide Slots

* Regularly furnished unless otherwise specified.

⚠ WARNING: Cancer and Reproductive Harm - www.P65Warnings.ca.gov

⚠ ADVERTENCIA: Cáncer y daño reproductivo - www.P65Warnings.ca.gov

⚠ AVERTISSEMENT: Cancer et effets néfastes sur la reproduction - www.P65Warnings.ca.gov

Zurn Industries, LLC | Specification Drainage Operation
1801 Pittsburgh Avenue, Erie, PA USA 16502, Ph. 855.663.9876

In Canada | Zurn Industries Limited
7900 Goreway Drive, Unit 10, Brampton, Ontario L6T 5W6, Ph. 877.892.5216

www.zurn.com

Rev. G
Date: 01/17/23
C.N. No. 144901
Patent zurn.com/patents
Prod. | Dwg. No. Z888-8