



# ZEMS6000AV-IS

Exposed Hardwired Automatic Sensor Flush Valve  
for Water Closets

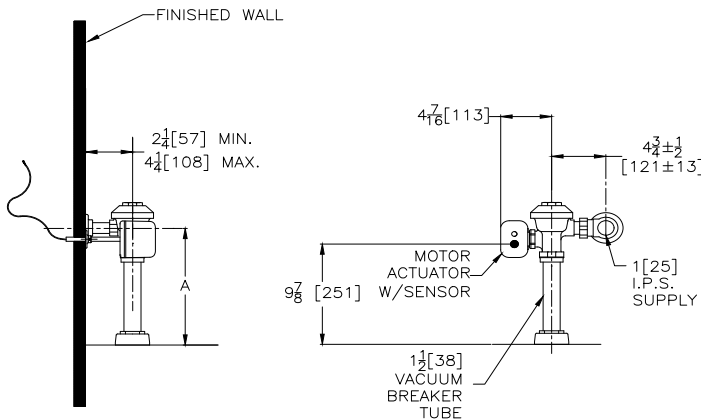
TAG \_\_\_\_\_

## Architectural/Engineering Specification:

Exposed, quiet diaphragm-type, chrome plated flushometer valve with a polished exterior. Complete with Zurn's AquaVantage® TPE, chloramine resistant, dual seal diaphragm with a clog resistant, triple filtered bypass. The valve incorporates a 6 VDC motor actuator, an integral infrared convergence-type proximity sensor and a manual push button override, high impact resistant polycarbonate housing and chrome plated plastic cover with manual override push button and 10 degree angled sensor.

## Product Features:

- Proprietary dezincification resistant low lead brass alloy
- Control stop has internal siphon-guard protection and vandal resistant stop cap, sweat solder kit, wall flange with set screw
- High back pressure vacuum breaker with one piece hex coupling nut
- Chloramine resistant Internal seals
- Adjustable tailpiece
- Spud coupling and flange for top spud connection



Rough-in/Overview dimensions

## Accessories (Order separate as specified)

- P6900-ACA-BA** 7.6VDC Plug-In ACA Power Supply  
Powers up to 4 valves
- P6000-HW6** 7.6VDC Hardwired Power Converter  
Powers up to 8 valves
- P6000-MJ** Mini Junction Box

NOTE: Must use either Zurn P6000-HW6 hardware power converter or P6900-ACA-BA regulated plug in to ensure proper operation. Using a power converter other than Zurn may result in operation malfunction or unit failure.

## Compliance and Certification:

- ADA Compliant
- Complies with ASSE 1037/ASME A112.1037/CSA



## Flow Options:

	Flush Volume	WaterSense Compliant
-ONE*	1.1 gpf	✓
-HET*	1.28 gpf	✓
-WS1	1.6 gpf	
-Standard	3.5 gpf	

\*Clog-resistant linear filter

## Suffix Options:

- FM12 Floor Mount 12" Rough In
- MOB Manual Over-ride Button (Front of Body)
- YJ Split Ring Pipe Support
- YK Solid Ring Pipe Support
- YO Bumper on Angle Stop

## Valve Height Options:

	Product No.	A
	ZEMS6000AV-IS	11 1/2" [292]
	ZEMS6000AV-1-IS	16" [406]
	ZEMS6000AV-2	24" [610]

## Architectural/Engineering Approval

The information contained in this document is subject to change without notice. Please contact Zurn for most up to date information.

This product should be used with a WaterSense labeled counterpart with a compatible flow volume to ensure that the entire system meets the requirements for water efficiency and performance.

