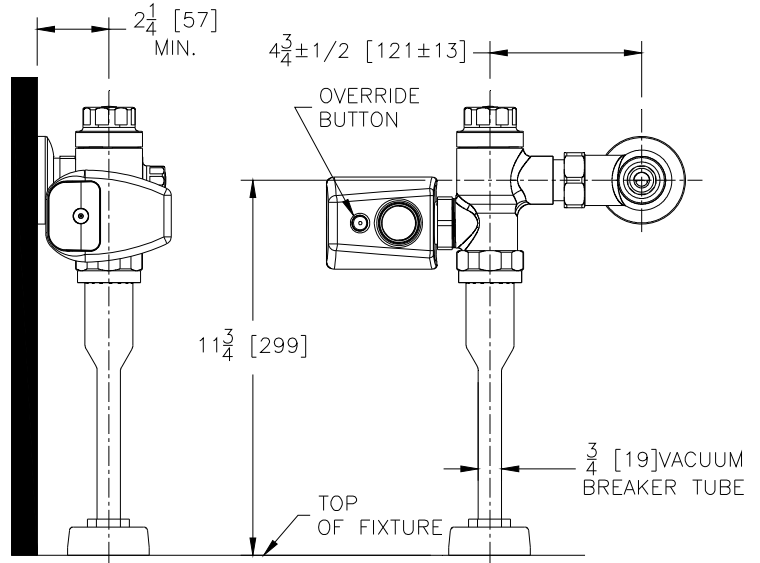




# ZER6203PL-CCP

Sensor Operated Battery Powered Flush Valve For 3/4" Urinals



## Flow Options

- EWS 0.5 gpf Extra Water Saver
- WS1 1.0 gpf Low Consumption Flush

## Accessories

- YO Bumper on Angle Stop
- YJ Split Ring Pipe Support
- YK Solid Ring Pipe Support
- \_\_\_\_\_ Other

Architectural/Engineering Approval

The information contained in this document is subject to change without notice.  
Please contact Zurn for most up to date information.

ZURN INDUSTRIES, LLC. ♦ COMMERCIAL BRASS OPERATION  
5900 ELWIN BUCHANAN DRIVE ♦ SANFORD NC 27330  
PHONE: 1-800-997-3876 ♦ FAX: 919-775-3541  
WWW.ZURN.COM  
IN CANADA: ZURN INDUSTRIES LIMITED  
3544 NASHUA DRIVE ♦ MISSISSAUGA, ONTARIO L4V1L2  
PHONE: 905-405-8272 FAX: 905-405-1292

MetroFlush® is a registered trademark of Zurn Industries, LLC.

## ENGINEERING SPECIFICATIONS

Exposed, quiet piston, chrome plated flushometer valve with a polished exterior.

- Piston Operated
  - Clog Resistant filtered by-pass
  - Chloramine resistant
  - Dual seal
- Low lead brass alloy
- Sensor Module
  - Impact Resistant Chrome Plated Housing
  - ADA compliant
  - 6 VDC Motor Actuator
  - Battery Powered
  - Override Button
- Control Stop
  - Internal siphon-guard protection
  - Vandal resistant stop cap
  - Sweat solder kit
  - Cast wall flange with set screw
- Vacuum Breaker
  - High back pressure
  - One piece hex coupling nut
- Internal seals
  - Chloramine resistant
- Adjustable tailpiece
- Spud coupling and flange for top spud connection