



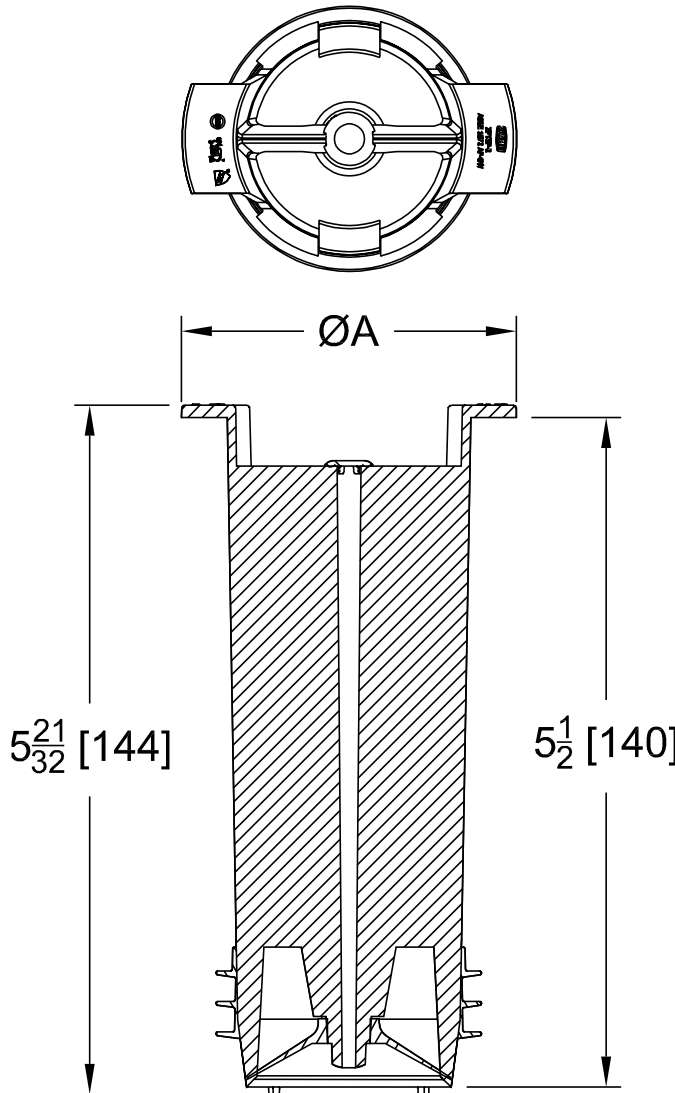
ZPTSP
ZURN POD PRO BARRIER TRAP SEAL DEVICE
FOR SHALLOW FLOOR DRAINS

SPECIFICATION SHEET

TAG _____

Design and Dimensional Data (inches and [mm]) are Subject to Manufacturing Tolerances and Change Without Notice

ZPTSP-2 Illustrated



Product Designation	Dimensions in Inches [mm]	ASSE 1072 Required Flow Rate G.P.M [L.P.M]
	A	
-2	2.75 [70]	12 [45.4]
-3	3.73 [95]	34 [128.7]

ENGINEERING SPECIFICATION: ZURN ZPTSP

ZPTSP ZURN POD Pro Barrier trap seal device for use with shallow floor drains to minimize evaporation within the P-trap. Product is comprised of an ABS rigid structure, silicone gasket and seal for 2" [51 mm] and 3" [76 mm] schedule 10 pipe. Device is engineered to comply with the performance requirements of ASSE 1072 standard and is third party listed with IAPMO (UPC), ICC (ICC cES PMG) and ASSE.

OPTIONS (Check/specify appropriate options)

- ____-2 Barrier Trap Seal for 2 [51] Schedule 10 Pipe/Outlet
- ____-3 Barrier Trap Seal for 3 [76] Schedule 10 Pipe/Outlet

⚠ WARNING: Cancer and Reproductive Harm - www.P65Warnings.ca.gov

⚠ ADVERTENCIA: Cáncer y daño reproductivo - www.P65Warnings.ca.gov

⚠ AVERTISSEMENT: Cancer et effets néfastes sur la reproduction - www.P65Warnings.ca.gov

Zurn Industries, LLC | Specification Drainage Operation
 1801 Pittsburgh Avenue, Erie, PA 16502, Ph. 855.663.9876

In Canada | Zurn Industries Limited
 7900 Goreway Drive, Unit 10, Brampton, Ontario L6T 5W6, Ph. 877.892.5216

www.zurn.com

Rev. A
 Date: 5/6/2024
 C.N. No. 146043
 Patent zurn.com/patents
 Prod. | Dwg. No. ZPTSP