



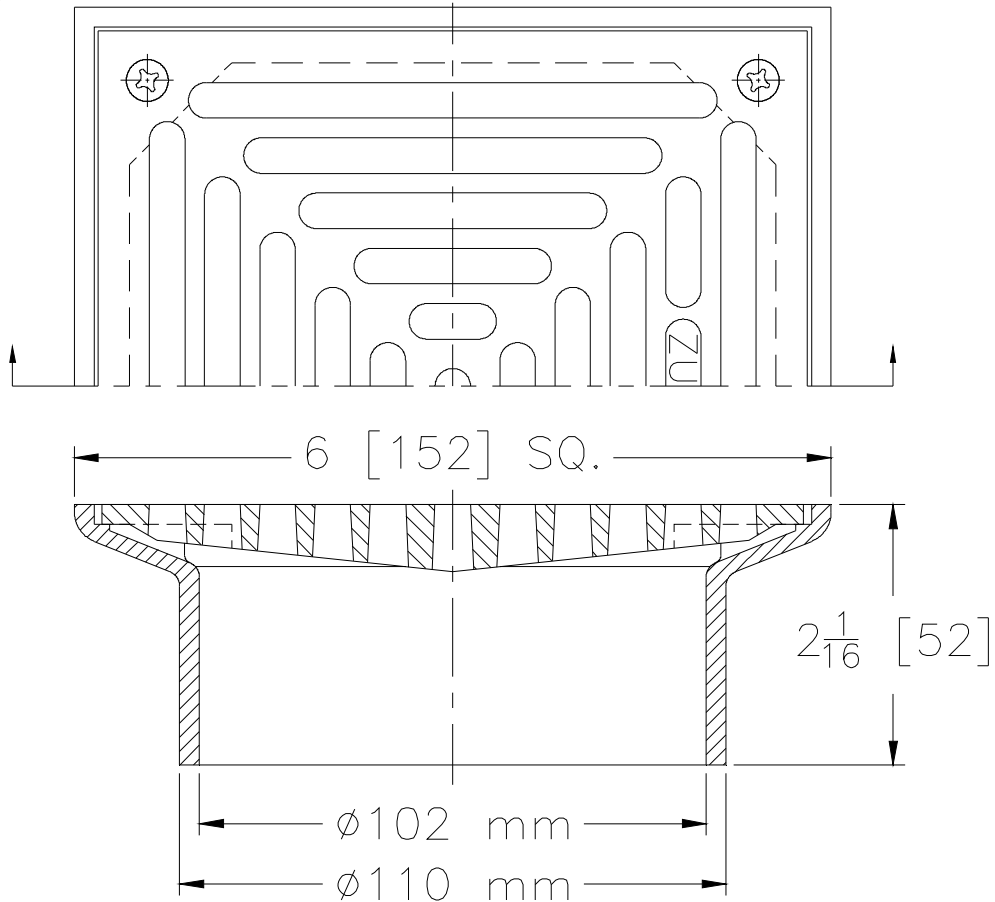
ZS400SSM

SQUARE "TYPE SSM" HEAD ASSEMBLY WITH Ø110 MM STRAIGHT SHANK

SPECIFICATION SHEET

TAG _____

Dimensional Data (inches and [mm]) are Subject to Manufacturing Tolerances and Change Without Notice



| Strainer Designation | Approx. Wt. Lbs. [kg.] | Open Area Sq. In. [cm ²] |
|----------------------|------------------------|--------------------------------------|
| -6SSM | 3-1/2 [2] | 13 [84] |

ENGINEERING SPECIFICATION: ZURN ZS400SSM

Polished Top 6x6 [152x152] Square Head Assembly with Ø110 mm straight shank and secured heel-proof medium-duty strainer

OPTIONS (Check/specify appropriate options)

PREFIXES

- ___ ZS Type 304 (CF8) Stainless Steel Top*
- ___ ZM Type 316 (CF8M) Stainless Steel Top

SUFFIXES

- ___ -GS Grid Strainer (Foot Traffic Light-Duty Only)
- ___ -VP Vandal-Proof Secured Top

| | | |
|-----------------|----------------------|-----------------|
| REV. D | DATE: 06/08/11 | C.N. NO. 121386 |
| DWG. NO. 303103 | PRODUCT NO. ZS400SSM | |

*REGULARLY FURNISHED UNLESS OTHERWISE SPECIFIED