



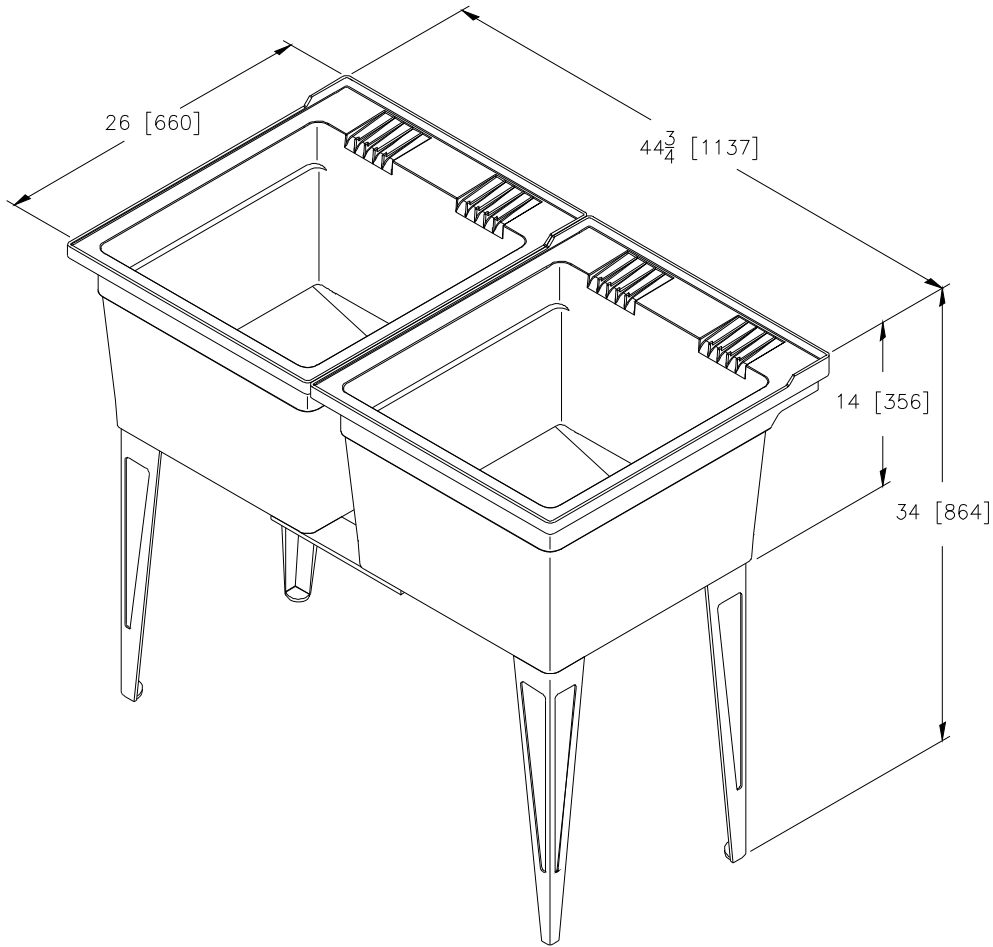
**MS2623**

**Double Compartment Economy Multi-Purpose Sink**

SPECIFICATION SHEET

TAG \_\_\_\_\_

Dimensional Data (inches and [ mm ]) are Subject to Manufacturing Tolerances and Change Without Notice



Product	Description
___ MS2623-F	Floor Mounted Double Compartment Sink
___ MS2623W	Wall Mounted Double Compartment Sink*

**Engineering Specification: MS2623**

Double Compartment Economy Multi-Purpose Sink constructed of polypropylene and manufactured by an innovative molding process that yields seamless corners and edges. Complete with leveling screws & drain plug.

\*Wall mounting brackets with hardware and filler panels included.

**OPTIONS:**

- \_\_\_ -APD Double Compartment Sink Accessory Package
- \_\_\_ -DF1 Dual Handle Deck Faucet
- \_\_\_ -DF2 Single Level Deck Faucet
- \_\_\_ -FA Top Supplied Deck Faucet
- \_\_\_ -FP Filler Panel
- \_\_\_ -PF Pull-out Lead Free Faucet (JP2620-PF-XL)
- \_\_\_ -PL Polyethylene Legs
- \_\_\_ -TS Top Supplied Faucet

**OPTIONAL COLORS (Gray-Standard)**

- \_\_\_ -AW Appliance White