

Z1180 SOLIDS INTERCEPTOR – OPERATION and MAINTENANCE INSTRUCTIONS

SIZING

There are no sizing requirements for this interceptor except to specify the inlet and outlet size. All units are made with a standard 2" [51 mm] pipe size inlet and outlet, reduced to 1-1/2" [38 mm] with a bushing when specified, and are capable of handling drainage volumes standard to their respective pipe size.

DESIGN

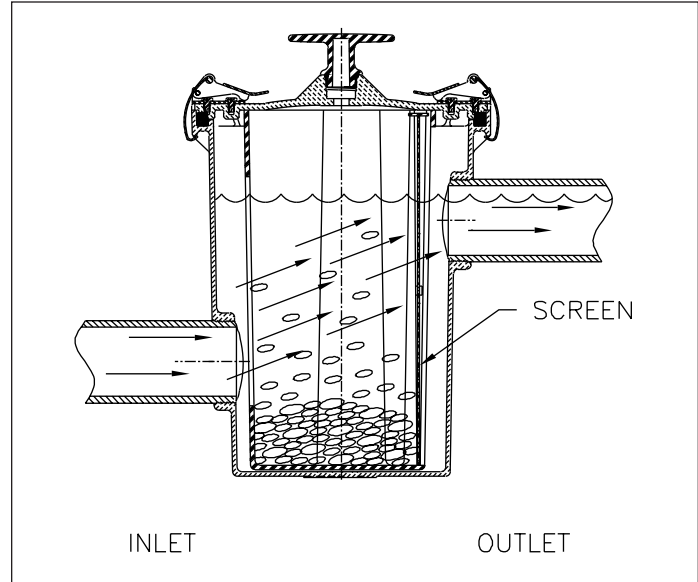
The Zurn Z1180 Solids Interceptor is designed to recover all types of solids from precious metal particles to plaster, clay, or similar materials. This is accomplished through the principal of gravity separation. Particles of various sizes and weights are trapped in the bucket.

OPERATION

The wastewater flows from the inlet piping into the removable bucket, passing through the screen, into the main body chamber, then exits the interceptor to the sanitary drain system.

MAINTENANCE

Cleaning should be done on a regular basis, either before or after the bucket becomes clogged. First unlatch and remove the cover/bucket assembly, twist and lift the bucket to remove from cover, take out the screen and clean out all debris. Replace the screen in the bucket, next place the bucket back on the cover, twist to reattach. Make certain cover gasket is intact and clean. Apply a light coating of oil on the cover gasket, which helps prevent the cover gasket from adhering to the cover and aids in maintaining a complete seal. The cover/bucket assembly should then be placed back in the unit, **making sure the screen in the bucket is on the outlet side as shown**, and relatch to secure cover. Efficiency of operation is directly related to the level of maintenance.



Note: Damage from high-temperature water will not occur to the acid resistant composite material of this unit when installed downstream from a dishwasher. There is a chance, however, that the thin-walled PVC screen in the bucket may deform. It is recommended that a stainless steel perforated screen be used in applications that involve high-temperature water.

Z1181 SOLIDS INTERCEPTOR – OPERATION and MAINTENANCE INSTRUCTIONS

SIZING

There are no sizing requirements for this interceptor except to specify the inlet and outlet size. All units are made with a standard 2" [51 mm] pipe size inlet and outlet, reduced to 1-1/2" [38 mm] with a bushing when specified and are capable of handling drainage volumes standard to their respective pipe size.

DESIGN

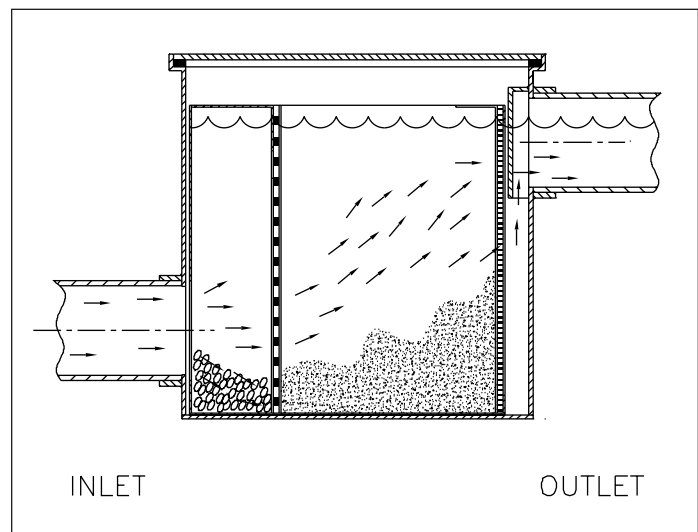
The Zurn Z1181 Solids Interceptor is designed to recover all types of solids from precious metal particles to plaster, clay, or similar materials. Larger and heavier materials are retained in the first compartment of the removable bucket, while smaller and lighter materials are trapped in the second compartment.

OPERATION

The wastewater flows from the inlet piping into the removable bucket, passing through the primary and secondary screens, into the main body chamber, then exits the interceptor to the sanitary drain system.

MAINTENANCE

Cleaning should be done on a regular basis, either before or after the bucket becomes clogged. Remove the cover and bucket, take out the primary and secondary screens, and clean out all debris. Replace the screens in the bucket and put the bucket into the interceptor. Make certain cover gasket is intact and clean. Apply a light coating of oil on



the cover gasket, which helps prevent the cover gasket from adhering to the cover and aids in maintaining a complete seal. The cover should then be placed back on the unit and secured. Efficiency of operation is directly related to the level of maintenance.