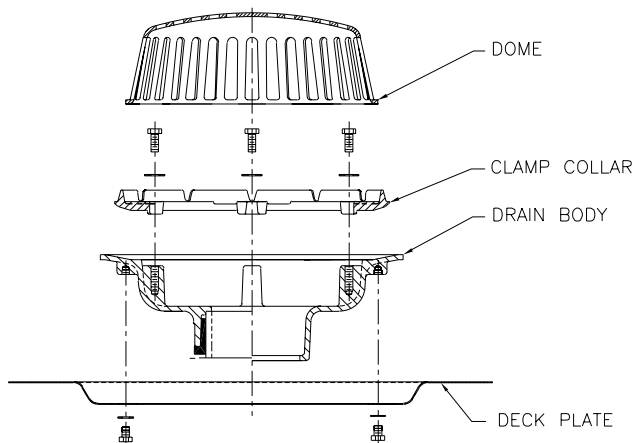


TOP-SET® DECK PLATE (-DP) INSTALLATION INSTRUCTIONS

1. Create a square opening in roof (Q-deck) to receive drain assembly.

Opening sizes are:
 Z100 18" x 18"
 Z121 15" x 15"
 Z125 11" x 11"

2. Fasten drain body to deck plate by aligning the four (4) bosses on body and four (4) slots on plate using bolts provided.
3. Put body/plate assembly onto the precut opening in the roof, aligning deck plate attachment slots in the appropriate position.
4. Fasten the assembly to the roof with self-tapping screws (provided by others).
5. Install insulation (if required) and secure waterproofing membrane to roof drain body with the clamp collar.
6. Attach dome to clamp collar to complete assembly.



Note: Full installation is completed from the top of the roof deck, except for pipe connection.

TOP-SET® DRAIN RISER (-DR) INSTALLATION INSTRUCTIONS

1. Create a square 18" x 18" opening in roof (Q-deck) to receive drain assembly.
2. Fasten drain riser flange to deck plate by aligning the four (4) threaded holes on the flange and four (4) slots on the deck plate using 3/8-16 x 1/2 bolts provided.
3. Thread bolts from underside of deck plate, thereby fastening the deck plate between the bolt head and flange. Flange slots may be used as an alternative with other desired hardware (not included).
4. Fasten the drain body to the drain riser sleeve by aligning the four (4) threaded holes on the body and the four (4) holes on the drain riser using 3/8-16 x 3/4 bolts provided.
5. Put deck plate/flange assembly onto the precut opening in the roof, aligning deck plate attachment slots in the appropriate position.
6. Fasten the assembly to the roof with self-tapping screws (provided by others).
7. Screw on the drain body/drain riser sleeve assembly to deck plate/flange assembly on roof. Adjust to desired height.
8. Install insulation (if required) and secure waterproofing membrane to roof drain body with the clamp collar.
9. Attach dome to clamp collar to complete assembly.

