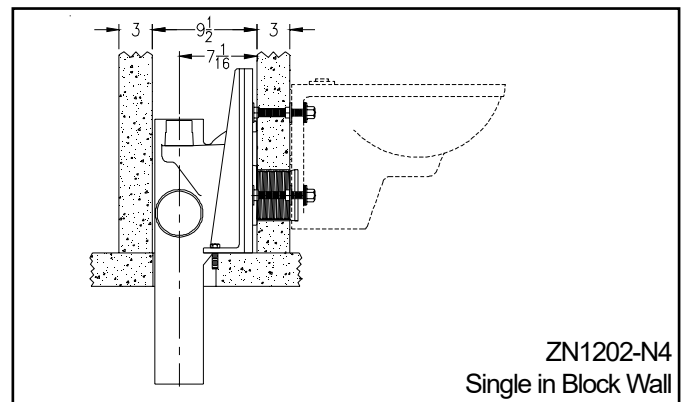
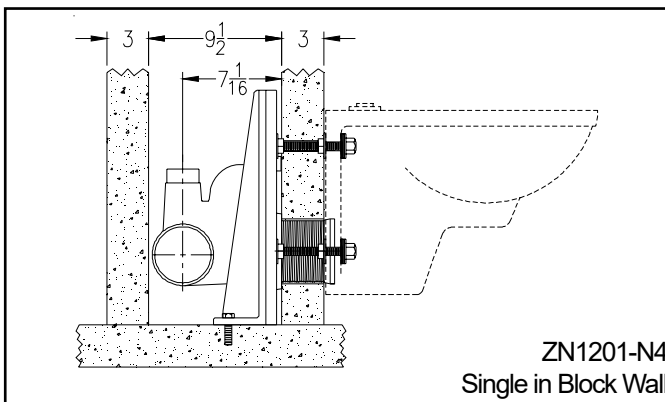
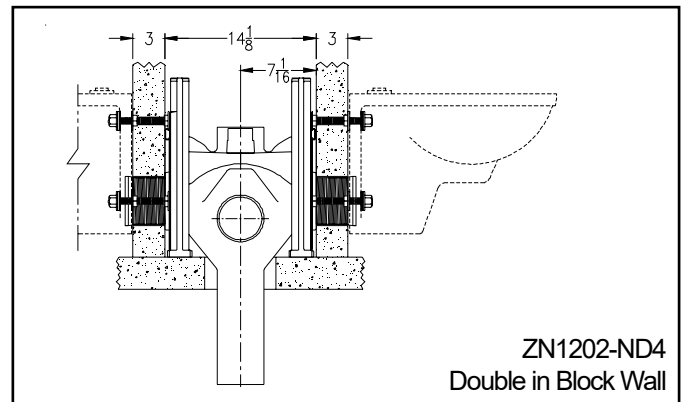
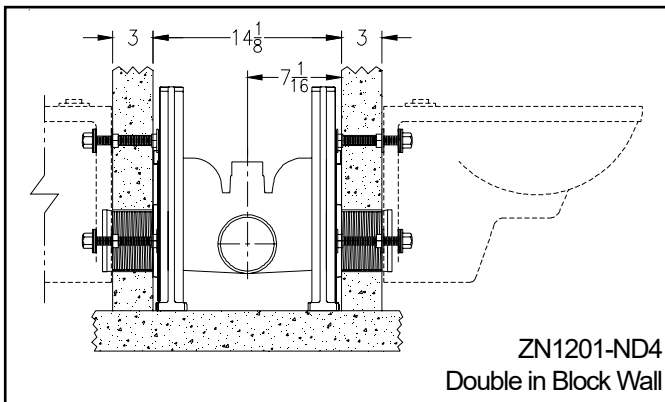
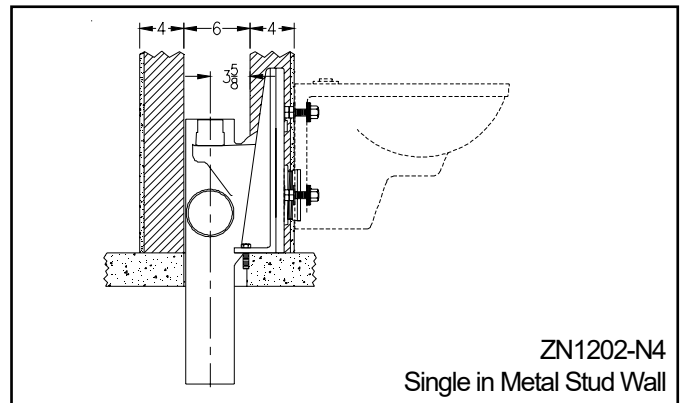
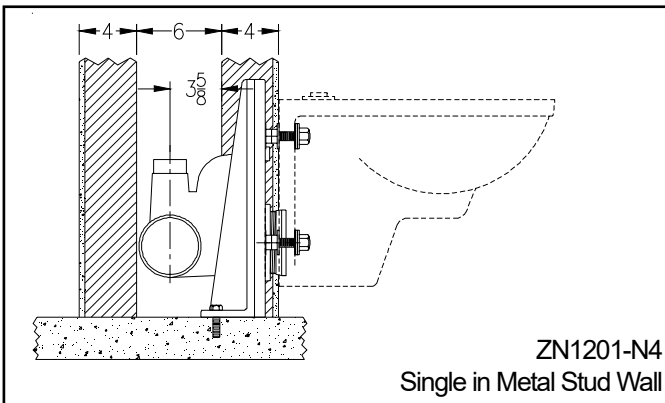
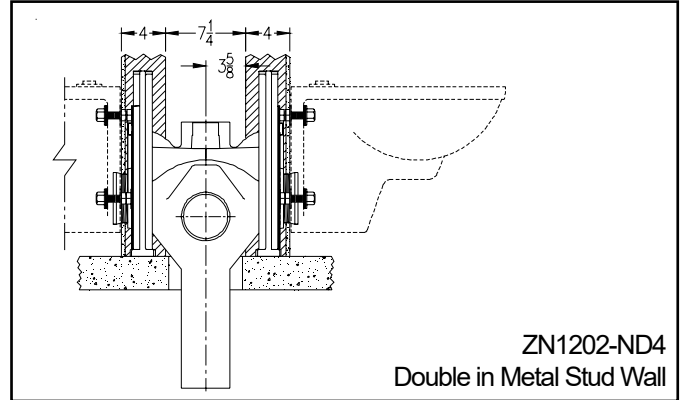
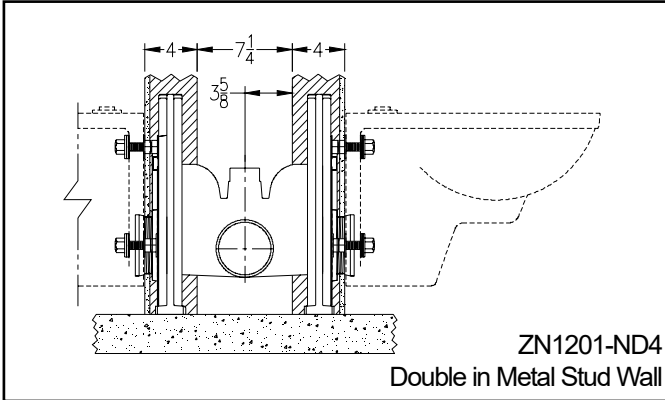




Minimum Chase Requirements for Narrow Wall Installation

Horizontal Adjustable Carriers

Vertical Adjustable Carriers

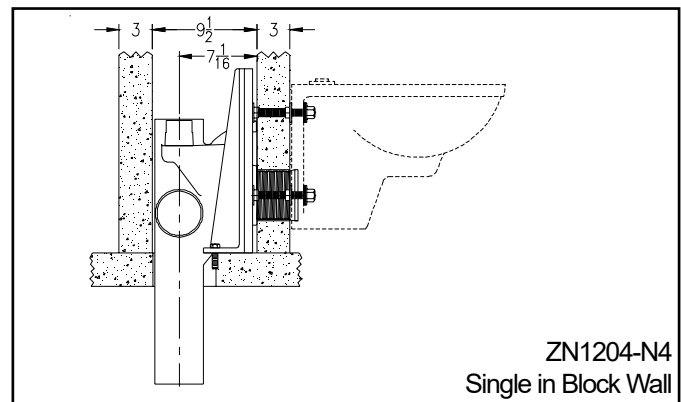
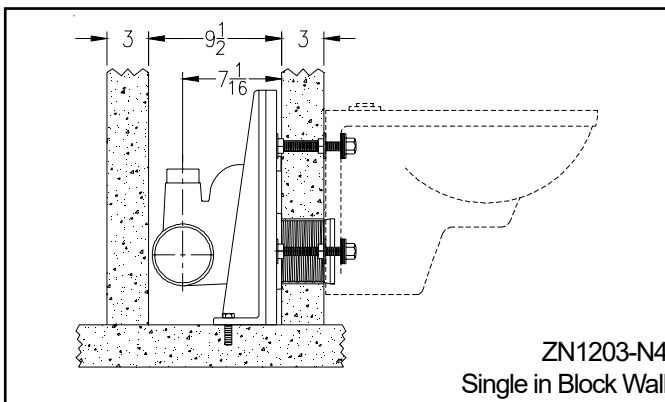
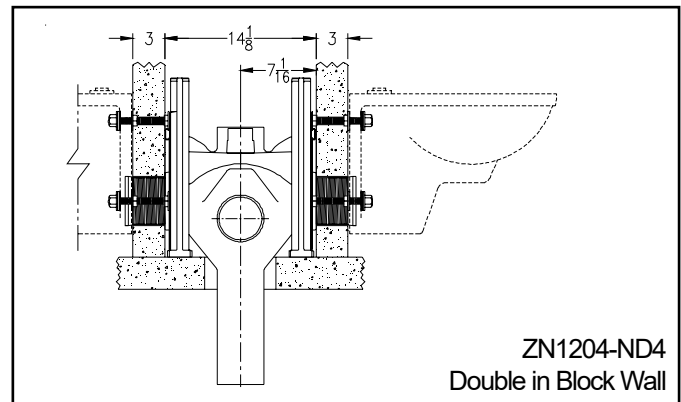
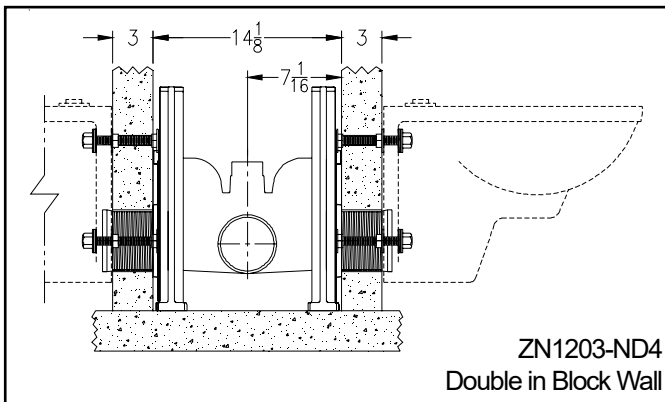
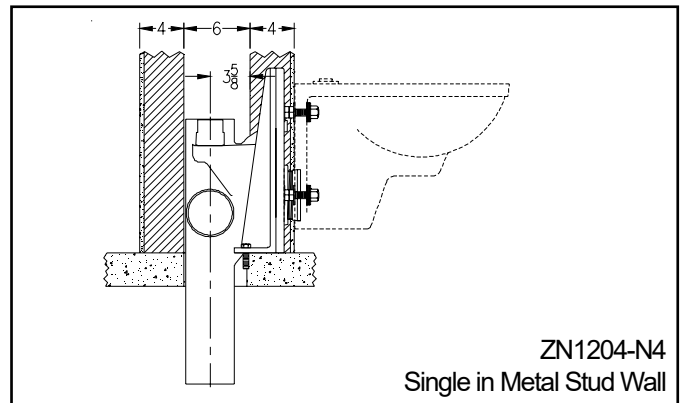
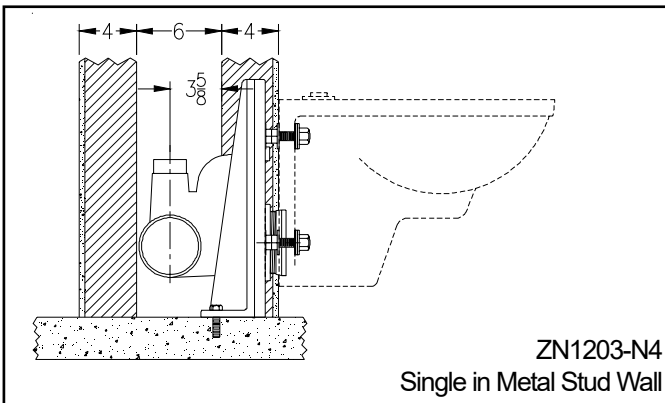
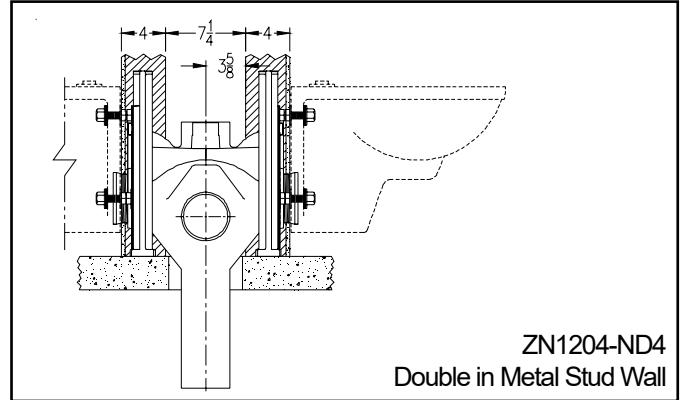
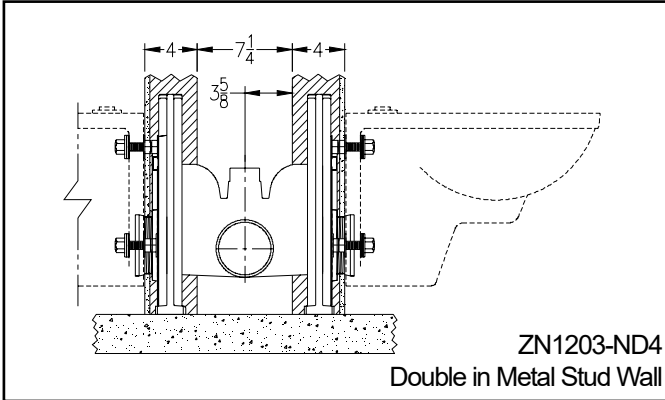




Minimum Chase Requirements for Narrow Wall Installation

Horizontal Adjustable Carriers

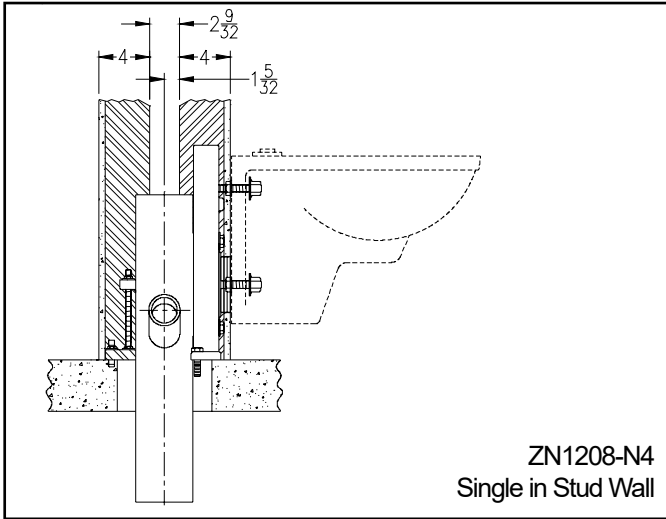
Vertical Adjustable Carriers



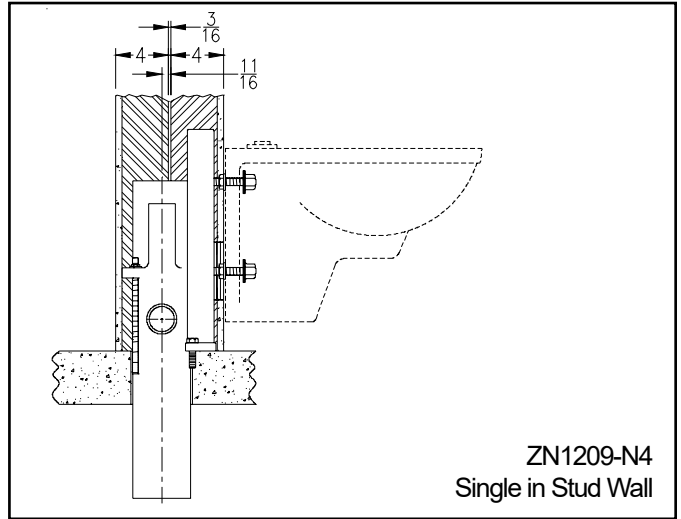


Minimum Chase Requirements for Narrow Wall Installation

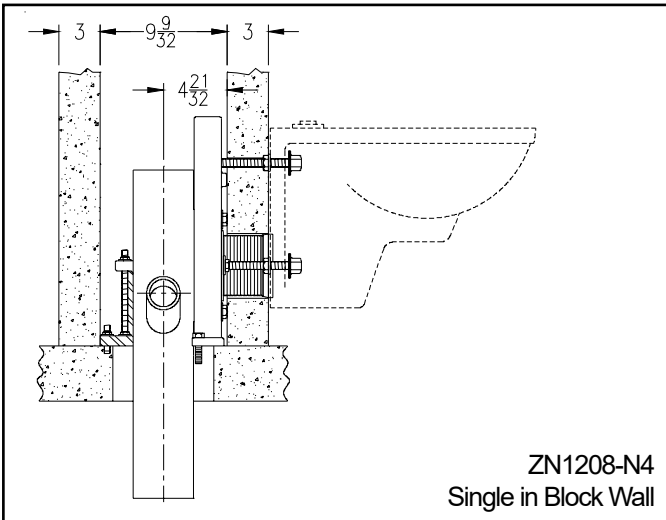
Vertical Fixed Carriers



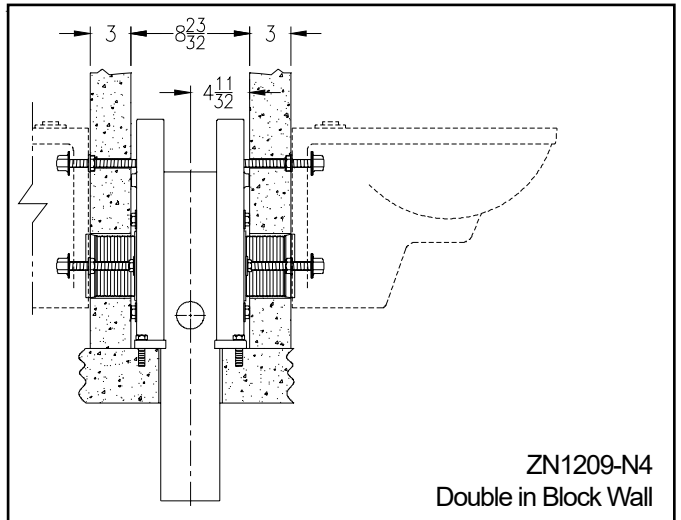
ZN1208-N4
Single in Stud Wall



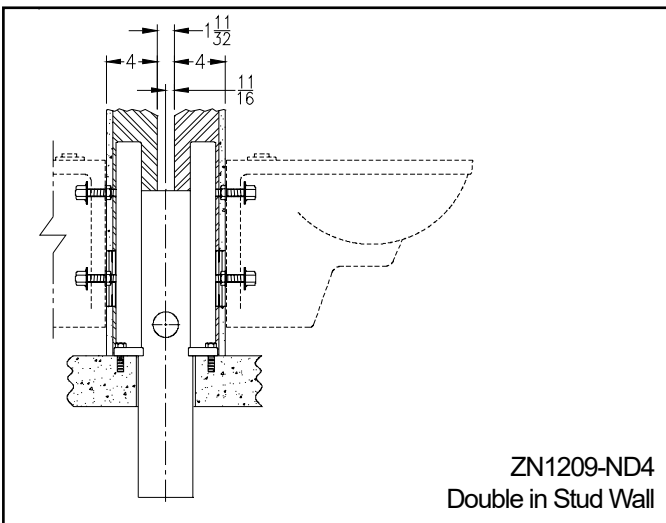
ZN1209-N4
Single in Stud Wall



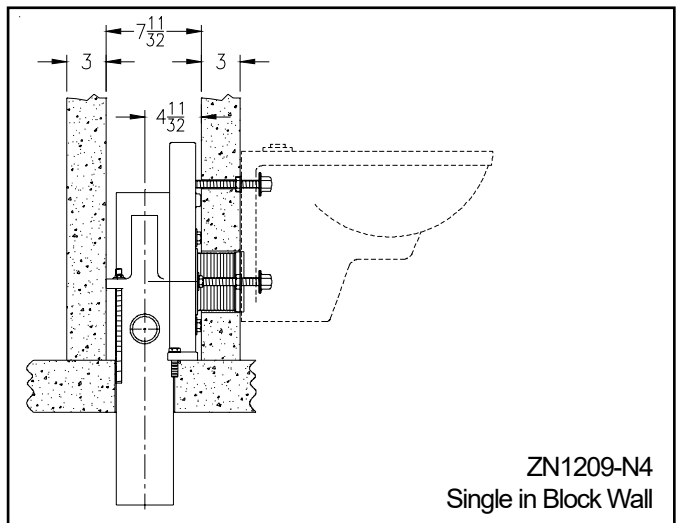
ZN1208-N4
Single in Block Wall



ZN1209-N4
Double in Block Wall



ZN1209-ND4
Double in Stud Wall

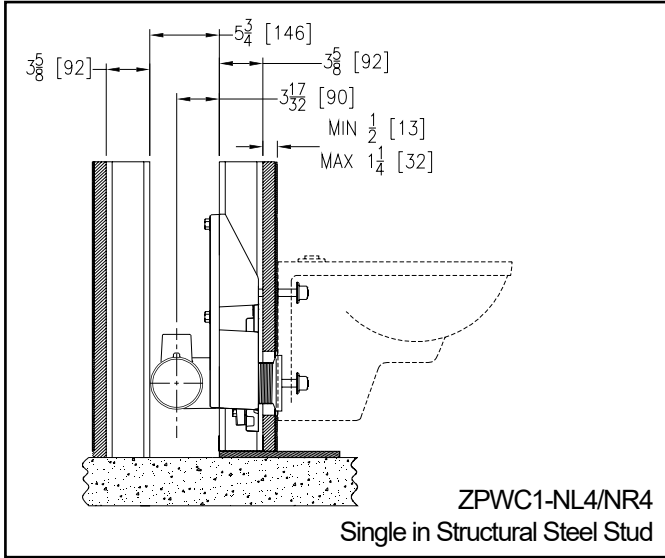


ZN1209-N4
Single in Block Wall

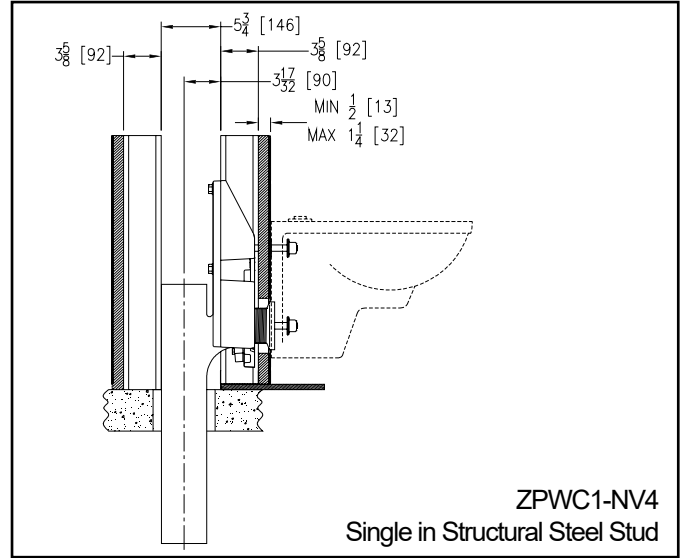


Minimum Chase Requirements for Narrow Wall Installation

Horizontal Fixed Carriers



Vertical Fixed Carriers



- ⚠ **WARNING:** Cancer and Reproductive Harm - www.P65Warnings.ca.gov
- ⚠ **ADVERTENCIA:** Cáncer y daño reproductivo - www.P65Warnings.ca.gov
- ⚠ **AVERTISSEMENT:** Cancer et effets néfastes sur la reproduction - www.P65Warnings.ca.gov

Zurn Industries, LLC | Specification Drainage Operation
1801 Pittsburgh Avenue, Erie, PA 16502, Ph. 855.663.9876

In Canada | Zurn Industries Limited
7900 Goreway Drive, Unit 10, Brampton, Ontario L6T 5W6, Ph. 877.892.5216

www.zurn.com

Rev. E
Date: 06/22/2023
C.N. No. 145389
Patent zurn.com/patents
Prod. | Form No. C30