

PHIX[®] Acid Neutralization Cartridge

Makes the grade in safety, savings, and ease of use

Don't experiment when it comes to neutralizing acidic wastewater inside your school's laboratories. Our PHIX cartridge is a safe and effective solution for your classroom and our shared environment. It neutralizes acid at the source, fits conveniently under the sink, and takes minimal steps to clean up.

Below the sink neutralization. Above average system.

The media comes standard with a solids filter. It installs and replaces easily for maintenance staff and plumbing professionals. We recommend checking over summer and winter breaks. You'll also know it's time to replace when the drain slows.

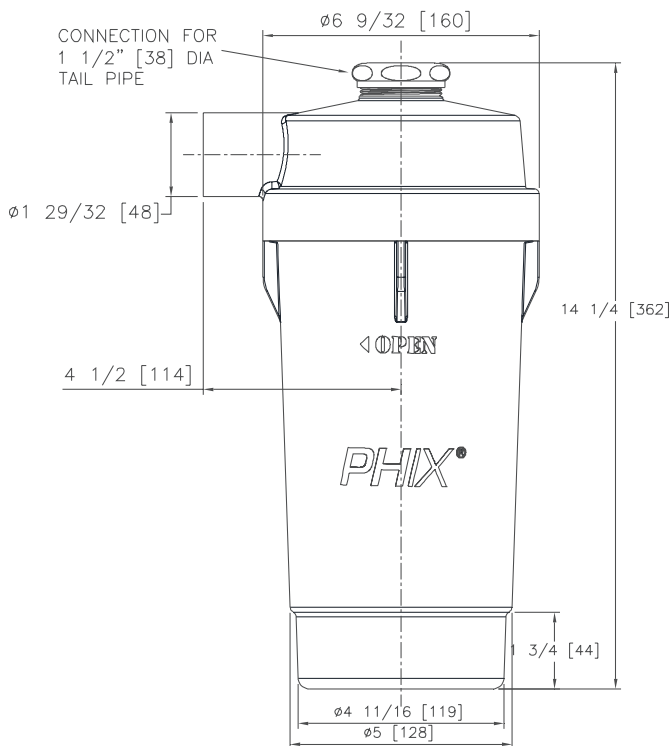
PHIX cartridge is an environmentally sound and cost-effective choice too. It does require a separate handwashing sink. You should also note, soap will decrease the life of the media. If maintained properly, the system lasts longer without as many cleaning steps or risk of cross-contamination.

Features and Benefits

- 5 times more efficient for less maintenance
- Lasts up to 30 times longer than limestone
- Compact design for retrofit applications
- Durable glass-filled, polypropylene construction extends life
- Backed by an industry-leading 10-year warranty
- Does not require special piping, equipment, storage or handling
- Tested to NSF International



PHIX® Acid Neutralization Cartridge



Dimensional data (inches and [mm]) are subject to manufacturing tolerances and change without notice



Z9-PHIX-MEDIA
Replacement Media

Engineering Specification

Point of use application, replacing standard P-trap and the need for down stream acid waste piping. PHIX® Cartridge Acid Neutralization System includes industrial strength glass-filled polypropylene body with a 1-1/2" [38mm] compression fitting inlet and 1-1/2" [38mm] No-Hub outlet, removable upper neutralization chamber, and lower sediment collection chamber. PHIX® Cartridge has a maximum flow of 8 GPM [36 LPM]. System uses PHIX® Media, a mix of non-hazardous solid alkali non-resin materials to neutralize acids in a self-contained system.

Contact Zurn for complete chemical drainage solutions.

ZURN INDUSTRIES, LLC Chemical Drainage Operation
1801 Pittsburgh Avenue, Erie, PA 16502, 855-663-9876

In Canada: **ZURN INDUSTRIES LIMITED** 7900 Goreway Drive, Unit 10, Brampton, Ontario L6T 5W6, 905-405-8272

Form No. 270-029, 4/19



US 1.855.ONE.ZURN CANADA 1.877.892.5216 ZURN.COM