

1. Drill holes in concrete and place anchors.
 - a. Two diagonally spaced anchors per foot are required for correct installation.
 - b. Anchor holes for either 3/8 (A) or 1/2 (B) (Furnished by others) See Fig.1

Note: Ensure using anchors with a minimum pullout force of 980 lbs

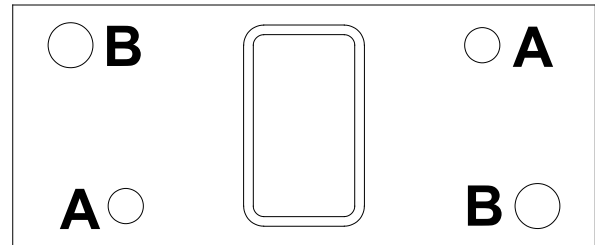


Fig. 1

2. Place carrier over anchors and secure with nuts and washers
 - a. Torque to 25-35 ft-lbs

3. Adjust the height of one header plate to desired rough-in location per lavatory to be installed.
 - a. Hold header bracket in place
 - b. Loosen 4 (C) nuts on header plate
 - c. Loosen height adjustment bolt (D) (on side of header)
 - d. Slide along upright to desired location
 - e. Hand tighten height adjustment bolt (D) ensuring the header bracket does not deflect. See Fig. 3

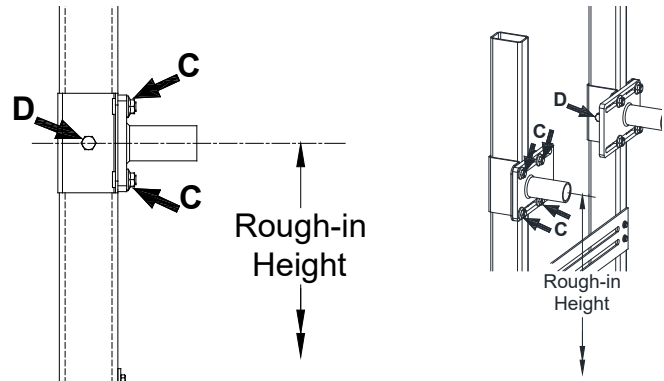


Fig. 3

4. Adjust height of second header plate
 - a. Hold header bracket in place
 - b. Loosen 4 nuts (C in Fig 3) on header plate
 - c. Loosen height adjustment bolt (D in Fig 3) (on side of header)
 - d. Place level on top of both header sleeves and adjust height until level. See Fig 4
 - e. Hand tighten height adjustment bolt (D in Fig 3) ensuring the header bracket does not deflect.

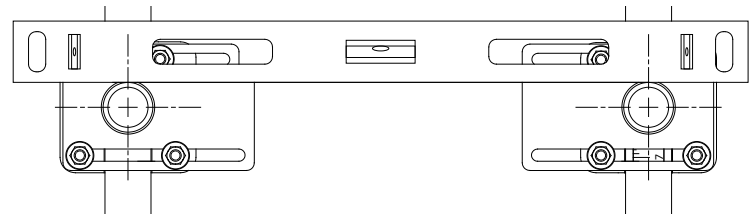


Fig. 4

Optional - Use integrated pipe support bracket to secure supply and drainage lines.

5. Adjust width of the header brackets (E) per the lavatory manufacturer's recommendation for spacing and tighten the 4 nuts (C) on the header bracket in a star pattern to 30-35 ft-lbs.

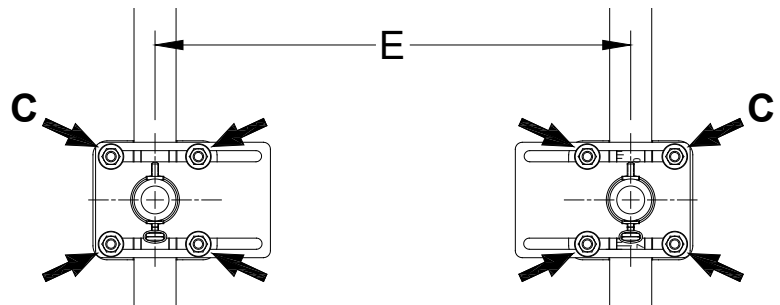


Fig. 5

⚠ WARNING: Cancer and Reproductive Harm - www.P65Warnings.ca.gov
⚠ ADVERTENCIA: Cáncer y daño reproductivo - www.P65Warnings.ca.gov
⚠ AVERTISSEMENT: Cancer et effets néfastes sur la reproduction - www.P65Warnings.ca.gov

6. Install drywall accordingly so that the sleeves protrude through the opening in the wall. See Fig. 6

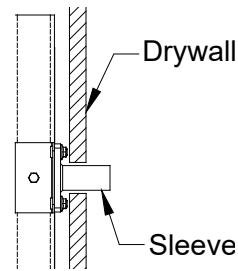


Fig. 6

7. Position arms inside of header plate mounting sleeves in accordance to the dimensions provided by the lavatory manufacturer. See common fixture rough-in dimensions on pages 4 and 5.

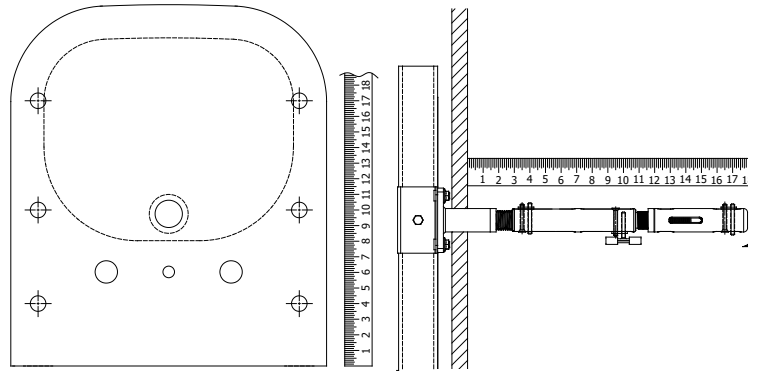


Fig. 7

8. Secure arms by tightening the locknut against the sleeve until snug. Ensure a minimum thread engagement of 1 inch. See Fig. 8

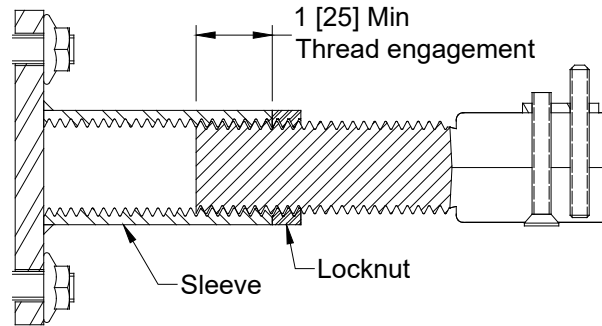


Fig. 8

9. Obtain locations of leveling screws and lock-down, provided by the lavatory manufacturer or the common fixture rough-in table, and adjust the leveling screws and lock-down hardware as needed. Loosen the clamping screws to adjust the washers for leveling screws and lock-down to desired locations then tighten. Adjust arm extension as required and tighten locknut against extension until snug. Ensure a minimum thread engagement of 1 inch. See Fig. 9

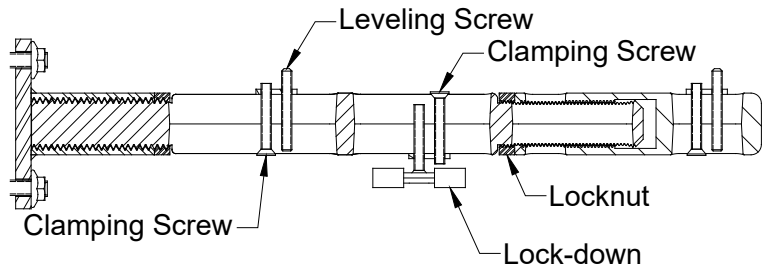


Fig. 9

Note: Arm Extension will not always need to be utilized. Usage will depend on lavatory used.

- ⚠ WARNING:** Cancer and Reproductive Harm - www.P65Warnings.ca.gov
⚠ ADVERTENCIA: Cáncer y daño reproductivo - www.P65Warnings.ca.gov
⚠ AVERTISSEMENT: Cancer et effets néfastes sur la reproduction - www.P65Warnings.ca.gov

10. Gently slide lavatory onto the carrier arms to 1/16" of the finished wall. The access holes on the underside of the lavatory should line up with the lockdown bar & adjustment screw holes of the arms. See Fig. 10

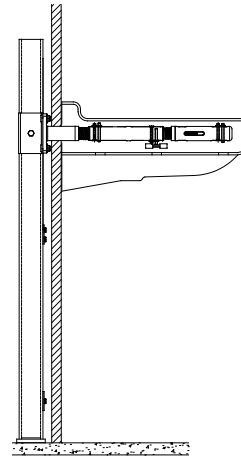


Fig. 10

11. To adjust the height and level of the lavatory, adjust the (4) 1/8" hex head leveling screws up through the underside of the lavatory access holes, raising the fixture until level side to side and front to back. See Fig. 11

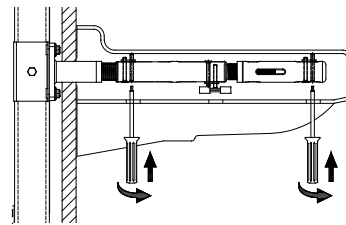


Fig. 11

12. Once the lavatory is set to the proper height and leveled, gradually reverse the lock-down bar screw from the arm until the rubber pads of the lock-down make contact with the fixture, securely locking it into place. See Fig. 12

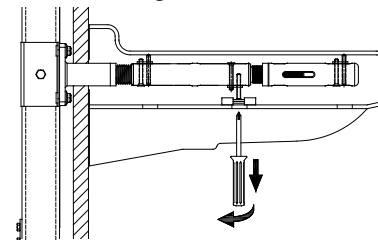


Fig. 12

13. Caulk/Silicone lavatory to the finished wall for a watertight seal. See Fig. 13

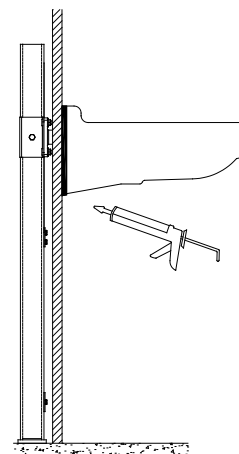


Fig. 13

⚠ WARNING: Cancer and Reproductive Harm - www.P65Warnings.ca.gov
⚠ ADVERTENCIA: Cáncer y daño reproductivo - www.P65Warnings.ca.gov
⚠ AVERTISSEMENT: Cancer et effets néfastes sur la reproduction - www.P65Warnings.ca.gov

Zurn Industries, LLC | Specification Drainage Operation
 1801 Pittsburgh Avenue, Erie, PA 16502, Ph. 855.663.9876

In Canada | Zurn Industries Limited
 7900 Goreway Drive, Unit 10, Brampton, Ontario L6T 5W6, Ph. 877.892.5216

www.zurn.com

Rev. C
 Date: 01/31/24
 C.N. No. 145637
 Patent zurn.com/patents
 Prod. | Dwg. No. C66

Page 3 OF 5

Z1231EZ Arm Rough-In Dimensions

Lavatory	Sleeve	A	B	C	D	E	F	G	H
Zurn Z5310 (-81)	Yes	17"	29"	31"	4"	9-5/8"	10-1/2"	15-1/4"	17"
Zurn Z5320 (-01)	Yes	16-3/4"	31-3/4"	34"	4"	11"	10-1/2"	18"	18-5/8"
Zurn Z5340 (-80)	No	17"	32-1/2"	34"	3-1/4"	8-1/2"	10-1/2"	13-3/4"	N/A
Zurn Z5360 (-80)	No	17"	32-1/2"	34"	3-1/4"	8-1/2"	10-1/2"	13-3/4"	N/A
Kohler® Kingston™ (1)(2) (-80)	No	17-1/4"	29-1/8"	31"	3-1/4"	8-1/2"	10-1/2"	13-3/4"	N/A
Kohler® Greenwich™ (1)(3) K-2030,31,32 (-80)	No	17-1/4"	29"	31"	3-1/4"	8-1/2"	10-1/2"	13-3/4"	N/A
Kohler® Greenwich™ (1)(3) K-2034,36 (-80)	No	16-1/2"	29"	31"	3-1/4"	8-1/2"	10-1/2"	13-3/4"	N/A
Kohler® Soho® (1)(4) (-80)	No	16-1/2"	29-1/4"	31"	3-1/4"	8-1/2"	10-1/2"	13-3/4"	N/A
American Standard® Lucerne™ (5)(6) 355.012, 355.034, 356.015, 356.421, 356.439 (-81)	Yes	16-3/4"	29-1/4"	31"	4"	10"	10-1/2"	16"	17"
American Standard® Murro™ (5)(7) (-91)	No	16-3/4"	32-3/8"	34"	4"	10"	10-3/4"	14"	N/A
American Standard® Decorum® (5)(8) 9024 (-81)	Yes	16-1/2"	32-3/16"	34"	3-1/8"	9-1/8"	10-1/2"	15-1/8"	17"
Toto® (9)LT307 (-102)	Yes	16-7/8"	31-1/4"	32"	3-3/4"	11-7/8"	10-1/2"	16-3/8"	17"
Sloan® (10)SS-3003 (-81)	Yes	16-3/4"	29-1/4"	31"	4"	10"	10-1/2"	16"	17"
MANSFIELD® Grand Isle™ (11)(12) (-12)	No	17-1/8"	29-1/2"	31"	4"	7-3/4"	10-1/2"	13-3/4"	N/A
GERBER® Monticello™ (13)(14) (-92)	No	16-1/4"	30-1/4"	31"	4-3/8"	8-7/8"	10-1/2"	13-3/8"	N/A
GERBER® Monticello™ (13)(14) II (-81)	Yes	16-7/16"	29-1/2"	31"	4-1/4"	10-1/4"	10-1/2"	16-1/4"	17"

1. KOHLER® is a registered trademark of Kohler Co. KOHLER® products listed are not associated with Zurn or Zurn's products.
2. Kingston™ is a trademark of KOHLER®. KOHLER® products listed are not associated with Zurn or Zurn's products.
3. Greenwich™ is a trademark of KOHLER®. KOHLER® products listed are not associated with Zurn or Zurn's products.
4. Soho® is a registered trademark of KOHLER®. KOHLER® products listed are not associated with Zurn or Zurn's products.
5. American Standard® is a registered trademark of AS America. American Standard® products listed are not associated with Zurn or Zurn's products.
6. Lucerne™ is a trademark of American Standard®. American Standard® products listed are not associated with Zurn or Zurn's products.
7. Murro™ is a trademark of American Standard®. American Standard® products listed are not associated with Zurn or Zurn's products.
8. Decorum® is a registered trademark of American Standard®. American Standard® products listed are not associated with Zurn or Zurn's products.
9. Toto® is a registered trademark of Toto Ltd Corporation. Toto® products listed are not associated with Zurn or Zurn's products.
10. Sloan® is a registered trademark of Sloan Valve Company. Sloan® products listed are not associated with Zurn or Zurn's products.
11. MANSFIELD® is a registered trademark of Mansfield Plumbing Products LLC. MANSFIELD® products listed are not associated with Zurn or Zurn's products.
12. Grande Isle™ is a trademark of MANSFIELD®. MANSFIELD® products listed are not associated with Zurn or Zurn's products.
13. GERBER® is a registered trademark of Gerber Plumbing Fixtures Corp. GERBER® products listed are not associated with Zurn or Zurn's products.
14. Monticello™ is a trademark of GERBER®. GERBER® products listed are not associated with Zurn or Zurn's products.

⚠ WARNING: Cancer and Reproductive Harm - www.P65Warnings.ca.gov
⚠ ADVERTENCIA: Cáncer y daño reproductivo - www.P65Warnings.ca.gov
⚠ AVERTISSEMENT: Cancer et effets néfastes sur la reproduction - www.P65Warnings.ca.gov

Zurn Industries, LLC | Specification Drainage Operation
 1801 Pittsburgh Avenue, Erie, PA 16502, Ph. 855.663.9876

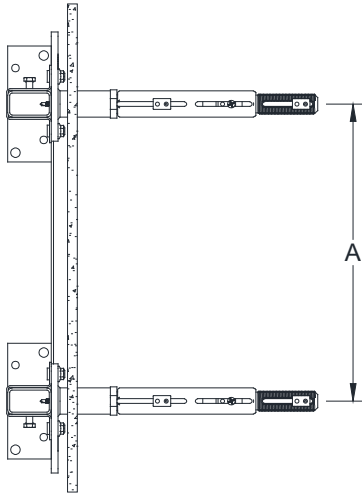
In Canada | Zurn Industries Limited
 7900 Goreway Drive, Unit 10, Brampton, Ontario L6T 5W6, Ph. 877.892.5216

www.zurn.com

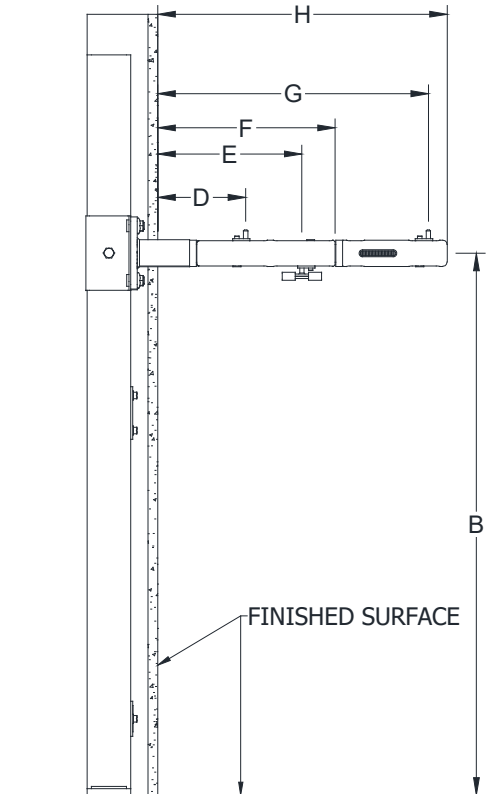
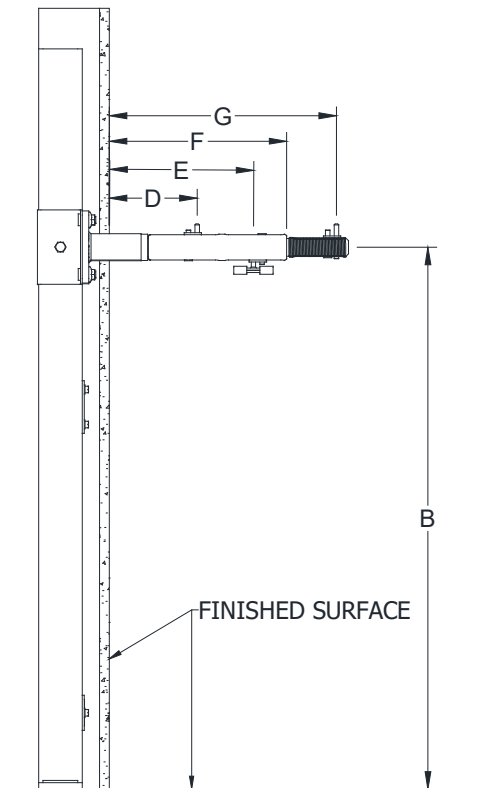
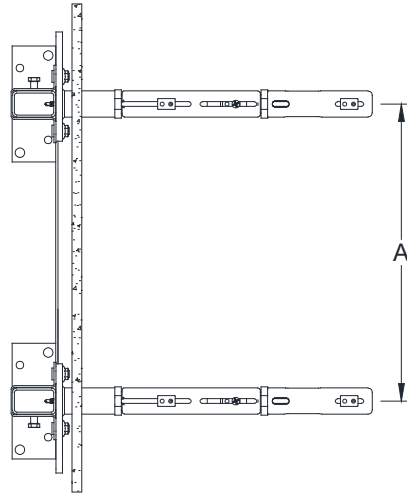
Rev.	C
Date:	01/31/24
C.N. No.	145637
Patent	zurn.com/patents
Prod. Dwg. No.	C66

Page 4 OF 5

No Sleeve



With Sleeve



- ⚠ **WARNING:** Cancer and Reproductive Harm - www.P65Warnings.ca.gov
- ⚠ **ADVERTENCIA:** Cáncer y daño reproductivo - www.P65Warnings.ca.gov
- ⚠ **AVERTISSEMENT:** Cancer et effets néfastes sur la reproduction - www.P65Warnings.ca.gov

Zurn Industries, LLC | Specification Drainage Operation
1801 Pittsburgh Avenue, Erie, PA 16502, Ph. 855.663.9876

In Canada | Zurn Industries Limited
7900 Goreway Drive, Unit 10, Brampton, Ontario L6T 5W6, Ph. 877.892.5216

www.zurn.com

Rev.	C
Date:	01/31/24
C.N. No.	145637
Patent	zurn.com/patents
Prod. Dwg. No.	C66

Page 5 OF 5