

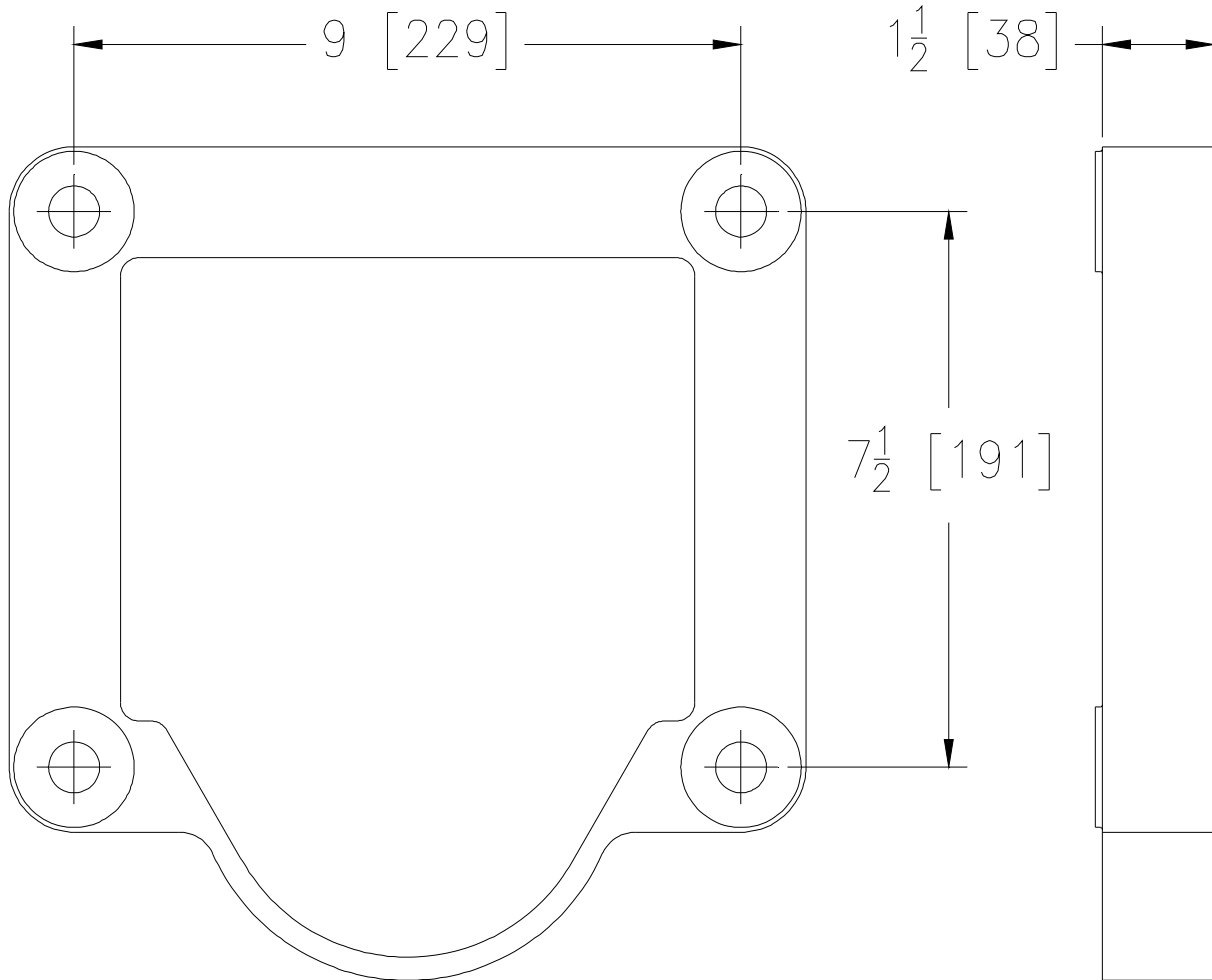


**Z1200-FINFRAME-SJ**  
FINISHING FRAME  
FOR SIPHONJET SYSTEM

SPECIFICATION SHEET

TAG \_\_\_\_\_

Dimensional Data (inches and [ mm ]) are Subject to Manufacturing Tolerances and Change Without Notice



**ENGINEERING SPECIFICATION: ZURN Z1200-FINFRAME-SJ**  
ABS Finishing Frame for Siphon Jet System.

\* Regularly furnished unless otherwise specified.

Zurn Industries, LLC | Specification Drainage Operation  
1801 Pittsburgh Avenue, Erie, PA U.S.A. 16502 · Ph. 855-663-9876, Fax 814-454-7929  
In Canada | Zurn Industries Limited  
3544 Nashua Drive, Mississauga, Ontario L4V 1L2 · Ph. 905-405-8272, Fax 905-405-1292  
[www.zurn.com](http://www.zurn.com)

Rev. -  
Date: 02/18/2015  
C.N. No. 132260  
Prod. | Dwg. No. Z1200-FINFRAME-SJ