

Finish Plumbing

FP0122 Customer Guide – North America



INTRODUCTION

FLUSH VALVES	7	CONCEALED FLUSH VALVES	20	AQUAFLUSH® CONCEALED ZH HYDRAULIC ACTUATION DIAPHRAGM FLUSH VALVES	33
FLUSH VALVE INTRODUCTION	8	AQUAVANTAGE® AV ZEMS CONCEALED HARDWIRED IN WALL SENSOR DIAPHRAGM FLUSH VALVES	20	OPTIONS FOR HYDRAULIC ACTUATION	33
EXPOSED SENSOR FLUSH VALVES	9	AQUAVANTAGE® AV ZER CONCEALED BATTERY IN WALL SENSOR DIAPHRAGM FLUSH VALVES	21	PRISON FLUSH VALVES	34
AQUASENSE® ZER-TM SERIES EZ GEAR EXPOSED SENSOR DIAPHRAGM FLUSH VALVES	9	AQUAVANTAGE® AV CONCEALED DIAPHRAGM FLUSH VALVES	22	AQUAVANTAGE® AV PRISON FLUSH VALVES	34
ECOVANTAGE® ZTR EXPOSED SENSOR BATTERY PISTON FLUSH VALVES	9	AQUAFLUSH® CONCEALED DIAPHRAGM FLUSH VALVES	23	AQUAVANTAGE® AV ZH HYDRAULIC ACTUATION PRISON FLUSH VALVES	34
AQUASENSE® E-Z FLUSH® AQUAVANTAGE® AV EXPOSED SENSOR BATTERY DIAPHRAGM FLUSH VALVES	10	EXPOSED MANUAL FLUSH VALVES	24	AQUAFLUSH® PRISON FLUSH VALVES	35
AQUASENSE® E-Z FLUSH® AQUAFLUSH® PLUS PL EXPOSED SENSOR BATTERY DIAPHRAGM FLUSH VALVES	11	AQUAVANTAGE® AV EXPOSED MANUAL DIAPHRAGM FLUSH VALVES	24	AQUAFLUSH® ZH HYDRAULIC ACTUATION PRISON FLUSH VALVES	35
AQUASENSE® E-Z FLUSH® AQUAFLUSH® EXPOSED SENSOR BATTERY DIAPHRAGM FLUSH VALVES	11	AQUAFLUSH® PLUS PL EXPOSED MANUAL DIAPHRAGM FLUSH VALVES	26	FLUSH VALVES FOR EASTERN STYLE WATER CLOSETS	36
METROFLUSH® AQUASENSE® E-Z FLUSH® ZER EXPOSED SENSOR BATTERY PISTON FLUSH VALVES	11	AQUAFLUSH® EXPOSED MANUAL DIAPHRAGM FLUSH VALVES	27	ACCESS PANELS	36
AQUASENSE® ZERK-TM SERIES EZ GEAR SENSOR RETROFIT KITS	12	METROFLUSH® EXPOSED PISTON FLUSH VALVES	27	RETROFIT X-BODIES - EXPOSED AND CONCEALED	37
AQUASENSE® E-Z FLUSH® RETROFIT KITS	12	EXPOSED MANUAL DIAPHRAGM FLUSH VALVES WITH BEDPAN DIVERTER	28	ACCESSORIES/VARIATIONS	38
OPTIONS FOR SENSOR FLUSH VALVE	12	AQUAVANTAGE® AV EXPOSED MANUAL DIAPHRAGM FLUSH VALVES WITH BEDPAN DIVERTER VALVE	28	SPECIALTY ITEMS	38
CONNECTED FLUSH VALVES	13	AQUAFLUSH® PLUS PL EXPOSED MANUAL DIAPHRAGM FLUSH VALVES WITH BEDPAN DIVERTER VALVE	29	ZURN® AQUAVANTAGE® AV FLUSH VALVE CROSS REFERENCE	39
CONNECTED BATTERY FLUSH VALVES	13	AQUAFLUSH® EXPOSED MANUAL DIAPHRAGM FLUSH VALVES WITH BEDPAN DIVERTER VALVE	29	ZURN® AQUAFLUSH® FLUSH VALVE CROSS REFERENCE	40
CONNECTED HARDWIRED FLUSH VALVES	15	EXPOSED CLINIC AND SERVICE SINK FLUSH VALVES	30	FAUCETS	41
EXPOSED SENSOR HARDWIRED FLUSH VALVES	17	EXPOSED MANUAL DIAPHRAGM FLUSH VALVES FOR CLINIC AND SERVICE SINKS	30	AQUA-FIT® SENSOR FAUCET SYSTEMS	43
ECOVANTAGE® ZTR EXPOSED HARDWIRED SENSOR PISTON FLUSH VALVES	17	HYDRAULIC FLUSH VALVES	31	Z6950 AQUA-FIT SERIO SERIES® - SINGLE POST	43
AQUAVANTAGE® AV ZEMS EXPOSED HARDWIRED SENSOR DIAPHRAGM FLUSH VALVES	17	AQUAVANTAGE® AV EXPOSED ZH HYDRAULIC ACTUATION DIAPHRAGM FLUSH VALVES	31	Z6950-XL-IM* AQUA-FIT SERIO SERIES - SINGLE POST WITH INTEGRAL MIXING VALVE	43
AQUAFLUSH® PLUS PL ZEMS EXPOSED HARDWIRED SENSOR DIAPHRAGM FLUSH VALVES	18	AQUAVANTAGE® AV CONCEALED ZH HYDRAULIC ACTUATION DIAPHRAGM FLUSH VALVES	32	Z6955 AQUA-FIT SERIO SERIES - 4" INCH CENTER	43
AQUAFLUSH® ZEMS EXPOSED HARDWIRED SENSOR DIAPHRAGM FLUSH VALVES	18	AQUAFLUSH® PLUS PL EXPOSED ZH HYDRAULIC ACTUATION DIAPHRAGM FLUSH VALVES	32	Z6951 AQUA-FIT FULMER SERIES® - SINGLE POST	43
METROFLUSH® ZEMS EXPOSED HARDWIRED SENSOR PISTON FLUSH VALVES	19	AQUAFLUSH® EXPOSED ZH HYDRAULIC ACTUATION DIAPHRAGM FLUSH VALVES	33	ARCHITECTURAL BATTERY SENSOR FAUCETS	45
HARDWIRED SENSOR FLUSH VALVES OPTIONS	19			Z6953 CAMAYA SERIES® - DECK MOUNTED	45
				Z6956 CUMBERLAND SERIES® - DECK MOUNTED	45
				Z6957* NACHI SERIES® - WALL MOUNTED	45
				FAUCET ACCESSORIES AQUA-FIT Z6950 SERIO SERIES	44

AERATOR OPTIONS FOR AQUA-FIT SERIES	44	CONNECTED BATTERY FAUCETS RETROFIT KITS	48	SINK GOOSENECK FAUCETS	63
ADDITIONAL POWER OPTIONS FOR AQUA-FIT SERIES	44	CONNECTED HARDWIRED FAUCETS	49	SINK CAST SPOUT FAUCETS	63
AQUASENSE® E-Z BATTERY SENSOR FAUCETS	46	AQUASENSE® EZ GEAR Z6913 SERIES - CONNECTED SINGLE HOLE SENSOR FAUCET	49	SINK TUBULAR SPOUT FAUCETS	63
FAUCET ORDERING INSTRUCTIONS	46	AQUASENSE® EZ GEAR Z6915 SERIES - CONNECTED 4" BASE CENTERSET SENSOR FAUCET	49	SINK VACUUM BREAKER SPOUT FAUCETS	64
AQUASENSE Z6913 SERIES - SINGLE HOLE SENSOR FAUCET	46	AQUASENSE® EZ GEAR Z6920 SERIES - CONNECTED SINGLE POST GOOSENECK SENSOR FAUCET	49	WIDESPREAD GOOSENECK FAUCETS	64
AQUASENSE Z6915 SERIES - 4" CENTERSET SENSOR FAUCET	46	AQUASENSE® EZ GEAR Z6922 SERIES - CONNECTED SINGLE HOLE GOOSENECK WALL-MOUNTED SENSOR FAUCET	49	WIDESPREAD CAST SPOUT FAUCETS	64
AQUASENSE Z6920 SERIES - SINGLE HOLE GOOSENECK SENSOR FAUCET	46	AQUA-FIT® SERIO SERIES® - CONNECTED SINGLE POST SENSOR FAUCET	49	WIDESPREAD TUBULAR SPOUT FAUCETS	65
AQUASENSE Z6922 SERIES - SINGLE HOLE WALL MOUNT GOOSENECK SENSOR FAUCET	46	AQUA-FIT® SERIO SERIES® - CONNECTED 4" BASE CENTERSET SENSOR FAUCET	49	WIDESPREAD BENT RISER SPOUT FAUCETS	65
AQUASENSE Z6933* SERIES - SINGLE POST BATTERY SENSOR FAUCET	46	CONNECTED HARDWIRED FAUCETS RETROFIT KITS	49	WIDESPREAD VACUUM BREAKER FAUCETS	65
AQUASENSE Z6936* SERIES - SINGLE POST BATTERY SENSOR FAUCET	46	SENSOR SOAP DISPENSERS	50	WIDESPREAD METERING FAUCETS	65
EZ GEAR HARDWIRED SENSOR FAUCETS	47	AQUASENSE® SENSOR FAUCET ACCESSORIES	50	DECK-MOUNTED FAUCETS	66
AQUASENSE® EZ GEAR Z6913 SERIES - SINGLE HOLE SENSOR FAUCET	47	POWER CONVERTERS FOR SENSOR FAUCETS	50	BACK-MOUNTED FAUCETS	66
AQUASENSE® EZ GEAR Z6915 SERIES - 4" BASE CENTERSET SENSOR FAUCET	47	SLIM AERATORS FOR Z6913-XL, Z6915-XL, Z6953-XL AND Z6956-XL	50	WALL-MOUNTED FAUCETS	66
AQUASENSE® EZ GEAR Z6920 SERIES - SINGLE POST GOOSENECK SENSOR FAUCET	47	AERATORS FOR Z6920-XL AND Z6922-XL	50	KITCHEN SINK FAUCETS	67
AQUASENSE® EZ GEAR Z6922 SERIES - SINGLE HOLE GOOSENECK WALL-MOUNTED SENSOR FAUCET	47	AERATORS FOR Z6950-XL, Z6950-XL-IM AND Z6955-XL	50	SERVICE SINK FAUCETS	68
AQUA-FIT® EZ GEAR SERIO SERIES® - SINGLE POST SENSOR FAUCET	47	MIXING TEE AND MIXING VALVES	51	CLINICAL SERVICE SINK FAUCETS	69
AQUA-FIT® EZ GEAR SERIO SERIES® - 4" BASE CENTERSET SENSOR FAUCET	47	GOOSENECKS	51	SINGLE BASIN FAUCETS	70
AQUASENSE® EZ GEAR CAMAYA SERIES® - SINGLE POST SENSOR FAUCET	47	COVER PLATES AND ADAPTERS	51	SINGLE CONTROL FAUCETS	70
AQUASENSE® EZ GEAR CUMBERLAND SERIES - SINGLE POST SENSOR FAUCET	47	POWER SUPPLIES	51	SINGLE LAB FAUCETS	71
CONNECTED FAUCETS	48	HOSES	51	DOUBLE LAB FAUCETS	72
CONNECTED BATTERY FAUCETS	48	Z6900 SERIES - ACCESSORIES	51	SHOWER VALVE BODY	73
AQUASENSE® Z6913 SERIES - CONNECTED SINGLE POST SENSOR FAUCET	48	AQUASENSE® FAUCET CROSS REFERENCE GUIDE	52	MISC. FAUCETS	73
AQUASENSE® Z6915 SERIES - CONNECTED 4" BASE CENTERSET SENSOR FAUCET	48	AQUASPEC® FAUCET BUILDER	53	BEDPAN WASHERS	73
AQUASENSE® Z6920 SERIES - CONNECTED SINGLE POST GOOSENECK SENSOR FAUCET	48	AQUASPEC® COMMERCIAL PRODUCT SUFFIXES	59	SINK AND SERVICE SINK FAUCETS	74
AQUASENSE® Z6922 SERIES - CONNECTED SINGLE POST GOOSENECK WALL-MOUNTED SENSOR FAUCET	48	AQUASPEC® COMMERCIAL PRODUCTS	60	PRE-RINSE UNITS	75
AQUA-FIT® SERIO SERIES® - CONNECTED SINGLE POST SENSOR FAUCET	48	4" CENTERSET LAVATORY FAUCETS	60	SPRAY HOSES	76
AQUA-FIT® SERIO SERIES® - CONNECTED 4" BASE CENTERSET SENSOR FAUCET	48	4" CENTERSET GOOSENECK FAUCETS	60	FOOT PEDAL VALVE	76
		4" CENTERSET CAST SPOUT FAUCETS	61	SUPPLY STOPS	76
		4" CENTERSET TUBULAR SPOUT FAUCETS	61	MISCELLANEOUS ACCESSORIES	76
		4" CENTERSET VACUUM BREAKER SPOUT FAUCETS	62	PRE-RINSE ACCESSORIES	77
		4" CENTERSET BENT RISER SPOUT FAUCETS	62	POT FILLERS	77
		4" CENTERSET METERING FAUCETS	62	POT FILLER ACCESSORIES	77
				SHOWER VALVE BODY	77
				MISC. FAUCETS	77
				BEDPAN WASHERS	77
				HOSE REEL ACCESSORIES	78
				BASKET STRAINERS	78
				REPAIR PARTS	78
				AERATOR ADAPTERS	79
				CERAMIC DISC XL CARTRIDGES	79
				SINGLE CONTROL MIXING CARTRIDGES	79
				COVER PLATES	79
				BODY ASSEMBLY PARTS AND MOUNTING HARDWARE	79
				SUPPLY ARMS	80
				METERING PARTS	80

HANDLE PARTS	80	CONVERSION HARDWARE FOR SHOWER VALVES	91	Z8808-XL SERIES COPPER SWEAT - COMPRESSION (1/2 SWT X 3/8 OD)	100
SINGLE HANDLES	80	SHOWER HEADS	91	HEAVY-DUTY LAVATORY SUPPLY STOPS AND KITS	101
PAIR OF HANDLES	80	INSTITUTIONAL SHOWER HEADS	92	ZH8820-XL SERIES PIPE - COMPRESSION (3/8 IPS X 3/8 OD)	101
METERING HANDLES	80	DIVERTER VALVES AND SPRING CHECKS	92	ZH8822-XL SERIES PIPE - COMPRESSION (1/2 IPS X 3/8 OD)	101
SPOUTS	81	MISCELLANEOUS DIVERTER VALVE PARTS	92	ZH8823-XL SERIES PIPE - COMPRESSION (1/2 IPS X 1/2 OD)	101
SPOUT PARTS	81	HANDWALL UNITS	92	ZH8824-XL SERIES COMPRESSION - COMPRESSION (1/2 NOM X 3/8 OD)	101
LEAD-FREE (XL) SPOUTS	81	HANDSHOWER UNITS	93	ZH8826-XL SERIES COPPER SWEAT - COMPRESSION (1/2 SWT X 3/8 OD)	101
		MISCELLANEOUS HANDWALL PARTS	93	ZH8827-XL SERIES COPPER SWEAT - COMPRESSION (1/2 SWT X 3/8 OD)	101
TEMP-GARD®	83	HANDWALL AND HANDSHOWER OPTIONS/ACCESSORIES	93	STANDARD CLOSET SUPPLY STOPS AND KITS	102
TEMP-GARD® FAUCETS	84	TUB SPOUTS	93	Z8800-XL SERIES PIPE - COMPRESSION (3/8 IPS X 3/8 OD)	102
SIERRA® LEAD-FREE FAUCETS	84	ATMOSPHERIC VACUUM BREAKERS	93	Z8802-XL SERIES PIPE - COMPRESSION (1/2 IPS X 3/8 OD)	102
SIERRA® CERAMIC DISC KITCHEN FAUCETS	84	REPAIR KIT FOR METERING VALVE	93	Z8803-XL SERIES PIPE - COMPRESSION (1/2 IPS X 1/2 OD)	102
AERATOR OPTIONS (NOT AVAILABLE IN SATIN)	84	TRACT PACKS FOR TEMP-GARD I SERIES VALVES	93	Z8804-XL SERIES COMPRESSION - COMPRESSION (1/2 NOM X 3/8 OD)	102
STRAINER OPTIONS	84	TRACT PACKS FOR TEMP-GARD III SERIES VALVES	94	Z8806-XL SERIES COPPER SWEAT - COMPRESSION (1/2 IPS X 3/8 OD)	102
MISCELLANEOUS OPTIONS	84	TRIM PACKS FOR TEMP-GARD I SERIES VALVES	94	Z8808-XL SERIES COPPER SWEAT - COMPRESSION (1/2 SWT X 3/8 OD)	102
TEMP-GARD® SERIES I - SHOWER VALVES	85	TRIM PACKS FOR TEMP-GARD III SERIES VALVES	95	BRAIDED STAINLESS STEEL SUPPLIES	103
Z7100 SERIES	85	SHOWER VALVE REPAIR KITS FOR TEMP-GARD I SERIES VALVES	95	LAVATORY/SINK SUPPLIES	103
Z7101 SERIES	85	SHOWER VALVE REPAIR KITS FOR TEMP-GARD III SERIES VALVES	95	Z8860-XL SERIES COMPRESSION - FEMALE THREADED PIPE (3/8 COMP X 1/2 FIP)	103
Z7120 SERIES	86	MISCELLANEOUS TEMP-GARD I PARTS	95	Z8861-XL SERIES FEMALE THREADED PIPE - FEMALE THREADED PIPE (1/2 FIP X 1/2 FIP)	103
Z7121 SERIES	86	MISCELLANEOUS TEMP-GARD III PARTS	95	Z8862-XL SERIES COMPRESSION - FEMALE THREADED PIPE (1/2 COMP X 1/2 FIP)	103
Z7200 SERIES	86	SHOWER VALVE REPAIR KITS FOR AQUA-PANEL	95	CLOSET SUPPLIES	103
Z7201 SERIES	87	MISCELLANEOUS AQUA-PANEL PARTS	96	Z8870-XL SERIES COMPRESSION - BALLCOCK NUT (3/8 COMP X 7/8 BALLCOCK NUT)	103
Z7220 SERIES	87	SIERRA® FAUCET REPAIR KITS	96	FLANGES AND NIPPLES	104
Z7221 SERIES	87	SIERRA® FAUCET AERATORS, Z7440	96	FLANGES	104
		SIERRA® FAUCET HANDLES, Z7440	96	NIPPLES	104
TEMP-GARD® SERIES III - SHOWER VALVES	88	SIERRA® FAUCET AERATORS, Z74500	96	SEMI-CAST TRAPS	104
Z7300 SERIES	88	Z74500, Z74600, AND Z74700 HANDLES AND INDEXES	96	COMMERCIAL GRADE CAST P-TRAPS WITH FULL C/E LENGTH TUBULAR WALL BEND & BRASS SWIVEL NUTS	104
Z7301 SERIES	88	MISCELLANEOUS SIERRA® FAUCET PARTS	96	STANDARD CAST P-TRAPS WITH TUBULAR WALL BEND	105
Z7302 SERIES	88	Z7870 SERIES REPAIR KITS	96		
TEMP-GARD® AQUA-PANEL	89	Z7870C SERIES AERATORS	96		
Z7500 SERIES	89	TUBULAR BRASS	97		
Z7500-CR SERIES	89	STANDARD LAVATORY SUPPLY STOPS AND KITS	98		
Z7500-TS SERIES	90	Z8800-XL SERIES PIPE - COMPRESSION (3/8 IPS X 3/8 OD)	98		
Z7500-W2 SERIES	90	Z8802-XL SERIES PIPE - COMPRESSION (1/2 IPS X 3/8 OD)	98		
Z7500-W3 SERIES	90	Z8803-XL SERIES PIPE - COMPRESSION (1/2 IPS X 1/2 OD)	98		
TEMP-GARD® AQUA-PANEL OPTIONS	90	Z8804-XL SERIES COMPRESSION - COMPRESSION (1/2 NOM X 3/8 OD)	99		
AQUA-PANEL OPTIONS	90	Z8806-XL SERIES COPPER SWEAT - COMPRESSION (1/2 SWT X 3/8 OD)	100		
CUSTOM MODIFICATIONS	90				
TEMP-GARD® ACCESSORIES	91				
TEMP-GARD I SHOWER VALVE SERIES HANDLES	91				
TEMP-GARD III SHOWER VALVE SERIES HANDLES	91				
ARMS	91				

CAST P-TRAPS WITH TUBULAR WALL BEND - TAA COMPLIANT	105
CAST P-TRAPS WITH TUBULAR WALL BEND LESS CLEANOUT	105
ALL-CAST SWIVEL TRAPS WITH COPPER EXTENSION P-TRAP	105
TRAPS	106
TUBULAR P-TRAPS	106
LESS CLEANOUT	106
WITH CLEANOUT	106
LOW INLET P-TRAPS LESS CLEANOUT	106
LOS ANGELES CODE TRAPS	106
WASHINGTON D.C. TRAPS	106
LESS CLEANOUT	106
MILWAUKEE P-TRAPS	106
WITH CLEANOUT	106
PREMIUM LINE OF BASKET STRAINERS	107
STICK TYPE SS BASKET STRAINER	107
STICK TYPE SS BASKET STRAINER WITH CHROME-PLATED BRASS BODY	107
FOUR-PRONGED SS BASKET STRAINER CHROME-PLATED BRASS BODY - STAINLESS BASKET	107
STICK TYPE SS BASKET STRAINER WITH LONG SHANK	107
BRASS BODY BASKET STRAINER WITH SPIN AND LOCK BASKET CLOSURE	107
DUPLEX SINK STRAINER 2"-2-1/2" OUTLET	107
JR. 2" BASKET STRAINER	107
STRAINERS, P.O. PLUGS, AND OFFSETS	108
BEEHIVE URINAL STRAINERS	108
FLAT GRID FIPS URINAL STRAINERS	108
FLAT GRID SINK STRAINERS	108
WIDE TOP SINK STRAINERS	108
HEAVY-DUTY BASKET STRAINERS	109
SOLID TOP, OPEN-GRID P.O. PLUGS	109
SOLID TOP, OPEN-GRID P.O. PLUGS OPTIONS	109
OFFSET LAVATORY STRAINERS, ADA COMPLIANT	110
OFFSET SINK STRAINERS, ADA COMPLIANT	110
CONTINUOUS WASTES	110

OVERFLOWS	111
BRASS TRIP LEVER WASTES PLUNGER TYPE	111
TRAP, STOP, AND SUPPLY PROTECTORS	112
INSUL-GUARD™ RETROFIT KITS	112
FIXTURES	113
SUNDARA® HANDWASHING SYSTEM	114
SUNDARA HANDWASHING SYSTEMS	114
SOLID SURFACE CARRIERS	114
ZURN ONE SYSTEMS	115
LAVATORIES - TOP RECOMMENDED SYSTEMS	115
URINALS - TOP RECOMMENDED SYSTEMS	115
WALL MOUNTED WATER CLOSETS - TOP RECOMMENDED SYSTEMS	116
FLOOR MOUNTED WATER CLOSETS - TOP RECOMMENDED SYSTEMS	116
CLINICAL SERVICE SINKS - TOP RECOMMENDED SYSTEMS	117
FLUSH VALVE TOILETS	117
1.1 GPF OR GREATER, ELONGATED, WALL HUNG FLUSH VALVE TOILET	117
1.28 GPF OR GREATER, CONCEALED, ELONGATED, WALL HUNG FLUSH VALVE TOILET	117
1.28 GPF OR GREATER, BACK OUTLET, FLOOR MOUNTED FLUSH VALVE TOILET	117
1.28 GPF OR GREATER, ADA HEIGHT, BACK OUTLET, FLOOR MOUNTED FLUSH VALVE TOILET	117
1.1 GPF OR GREATER, ELONGATED, FLOOR MOUNTED FLUSH VALVE TOILET	117
1.1 GPF OR GREATER, ADA HEIGHT, ELONGATED, FLOOR MOUNTED FLUSH VALVE TOILET	118
CHILDREN'S ROUND FLOOR MOUNTED FLUSH VALVE TOILET	118
1.6 GPF, HEAVY-DUTY BARIATRIC, ZURNSHIELD™ POWDER COATED	118
1.6 GPF, EXTRA-HEAVY-DUTY BARIATRIC, ZURNSHIELD POWDER COATED	118
TWO-PIECE TOILETS	119
TWO PIECE, PRESSURE ASSIST TOILET	119
1.28 GPF, ELONGATED, HIGH EFFICIENCY SIPHON JET TOILET	119

1.0 GPF, HIGH EFFICIENCY, ELONGATED PRESSURE ASSIST TOILET	119
1.6 GPF, ELONGATED PRESSURE ASSIST TOILET	119
PRESSURE ASSIST TOILET OPTION ADDERS	119
PRESSURE ASSIST REPLACEMENT TANK KIT	119
URINALS	120
0.125 GPF, ULTRA LOW CONSUMPTION URINAL	120
1.0 GPF, SIPHON JET URINAL	120
0.125 GPF TO 1.0 GPF, OMNI-FLO® URINAL	120
WATER FREE URINAL	120
WALL HUNG LAVATORIES	121
19" X 17" WALL HUNG LAVATORIES	121
20" X 18" WALL HUNG LAVATORIES	121
23" X 20-1/4" WHEELCHAIR LAVATORY	121
COUNTERTOP AND UNDERMOUNT LAVATORIES	122
20" X 17" SELF-RIMMING COUNTERTOP LAVATORIES	122
19" ROUND SELF-RIMMING COUNTERTOP LAVATORIES	122
19" X 16" UNDERMOUNT LAVATORIES	122
CAST IRON LAVATORIES	122
19" X 17" ENAMELED CAST IRON WALL HUNG LAVATORY	122
20" X 18" ENAMELED CAST IRON WALL HUNG LAVATORY	122
HOSPITAL AND INSTITUTIONAL FIXTURES	123
WALL MOUNT, BLOWOUT SERVICE SINK	123
FLOOR MOUNTED, SIPHON JET SERVICE SINK	123
28" X 22" SURGEON SINK	123
SPECIALTY FIXTURES	123
CUSTODIAL FLOOR SINK	123
SERVICE SINK	123
TOILET SEATS	124
TOILET SEATS	124

MISCELLANEOUS PARTS 125

TOILETS	125
URINALS	125
LAVATORIES	125
OTHER	125

AQUAPARTS® AND ASSEMBLIES 131**AQUAPARTS® PARTS AND ASSEMBLIES 132**

A – FLUSH TUBES WITH VACUUM BREAKER FOR AQUAVANTAGE® AND AQUAFLUSH® FLUSH VALVES	132
B – VACUUM BREAKER REPAIR KITS FOR AQUAVANTAGE® AND AQUAFLUSH®	133
C, D – CONTROL STOP KITS FOR AQUAVANTAGE® AND AQUAFLUSH®	133
E – INTERNAL KITS AND ASSEMBLIES	134
G, H – WALL FLANGES, SPUD CONNECTIONS, AND COUPLINGS FOR AQUAVANTAGE® AND AQUAFLUSH®	135
J, K – TAILPIECE EXTENSIONS AND COUPLING NUT ASSEMBLIES FOR AQUAVANTAGE® AND AQUAFLUSH®	135
L, M – VALVE CAPS AND HANDLE PARTS FOR AQUAVANTAGE® AND AQUAFLUSH® EXPOSED FLUSH VALVES	136
METRO – METROFLUSH® FLUSH VALVE PARTS	136
N – CONCEALED VALVE ACTUATOR ASSEMBLIES AND REPAIR PARTS FOR AQUAVANTAGE® AND AQUAFLUSH®	137
P – DIVERTER PARTS FOR BEDPAN WASHERS	138
Q – MISCELLANEOUS FLUSH CONNECTIONS AND ELBOWS FOR AQUAVANTAGE® AND AQUAFLUSH® CONCEALED VALVES	139
TPO – TRAP PRIMER PARTS FOR AQUAVANTAGE® AND AQUAFLUSH® VALVES	140
Y – MISCELLANEOUS VALVE PARTS AND ACCESSORIES	140
ZH – HYDRAULIC SERIES FLUSH VALVE REPAIR KITS AND PARTS FOR AQUAVANTAGE® AND AQUAFLUSH® VALVES	141
ZEMS – AQUASENSE® ZEMS ELECTRONIC SENSOR REPLACEMENT PARTS	142
ZERK – AQUASENSE® E-Z FLUSH BATTERY SENSOR REPLACEMENT PARTS	142
ZTR – ECOVANTAGE® BATTERY SENSOR FLUSH VALVES – ZTR SERIES	143
Z5795 WATER FREE URINAL PARTS	144
ZBF – AQUASENSE® E-Z SENSOR-OPERATED FAUCETS REPLACEMENT PARTS	144

PRODUCTS/PARTS EXPLODED VIEWS WITH IDENTIFICATION 147

AQUAVANTAGE® AV FLUSH VALVES WITH CHEMICAL AND CLOG-RESISTANT, TRIPLE FILTER DIAPHRAGM	147
AQUAVANTAGE® AND AQUAFLUSH® CONCEALED REPLACEMENT PARTS - Z6100AV AND Z6100 SERIES	148
AQUAFLUSH® FLUSH VALVES WITH CHEMICAL AND CLOG-RESISTANT DIAPHRAGM	149
AQUAVANTAGE® AND AQUAFLUSH® HYDRAULIC-OPERATED REPLACEMENT PARTS	150
METROFLUSH® REPLACEMENT PARTS	151
BEDPAN WASHER REPLACEMENT PARTS	152
ZERK-TM REPLACEMENT PARTS	153
ZTR6200EV SERIES REPLACEMENT PARTS	154
ZEMS-IS SERIES REPLACEMENT PARTS	155
ZEMS CLOSET SERIES REPLACEMENT PARTS	156
ZEMS URINAL VALVE REPLACEMENT PARTS	157
ZEMS G2 SERIES REPLACEMENT PARTS	158
ZEMS G2 SERIES REPLACEMENT PARTS	160
E-Z FLUSH® REPLACEMENT PARTS	161
EZ GEAR SENSOR FAUCET REPLACEMENT PARTS	162
AQUASENSE® E-Z SENSOR - Z6913-XL AND Z6915-XL FAUCETS REPLACEMENT PARTS	163
AQUASENSE® E-Z SENSOR - Z6920-XL (DECK MOUNT) AND Z6922-XL (BACK MOUNT) FAUCET REPLACEMENT PARTS	164
Z6950-XL-S, Z6955-XL-S AND Z6950-XL-IM-S AQUA-FIT® SERIO SERIES® REPLACEMENT PARTS	165

ALPHANUMERIC INDEX 167

FLUSH VALVES

FLUSH VALVE INTRODUCTION	8	CONCEALED FLUSH VALVES	20	HYDRAULIC FLUSH VALVES	31
EXPOSED SENSOR FLUSH VALVES	9	AQUAVANTAGE® AV ZEMS CONCEALED HARDWIRED IN WALL SENSOR DIAPHRAGM FLUSH VALVES	20	AQUAVANTAGE® AV EXPOSED ZH HYDRAULIC ACTUATION DIAPHRAGM FLUSH VALVES	31
AQUASENSE® ZER-TM SERIES EZ GEAR EXPOSED SENSOR DIAPHRAGM FLUSH VALVES	9	AQUAVANTAGE® AV ZER CONCEALED BATTERY IN WALL SENSOR DIAPHRAGM FLUSH VALVES	21	AQUAVANTAGE® AV CONCEALED ZH HYDRAULIC ACTUATION DIAPHRAGM FLUSH VALVES	32
ECOVANTAGE® ZTR EXPOSED SENSOR BATTERY PISTON FLUSH VALVES	9	AQUAVANTAGE® AV CONCEALED DIAPHRAGM FLUSH VALVES	22	AQUAFLUSH® PLUS PL EXPOSED ZH HYDRAULIC ACTUATION DIAPHRAGM FLUSH VALVES	32
AQUASENSE® E-Z FLUSH® AQUAVANTAGE® AV EXPOSED SENSOR BATTERY DIAPHRAGM FLUSH VALVES	10	AQUAFLUSH® CONCEALED DIAPHRAGM FLUSH VALVES	23	AQUAFLUSH® EXPOSED ZH HYDRAULIC ACTUATION DIAPHRAGM FLUSH VALVES	33
AQUASENSE® E-Z FLUSH® AQUAFLUSH® PLUS PL EXPOSED SENSOR BATTERY DIAPHRAGM FLUSH VALVES	11	EXPOSED MANUAL FLUSH VALVES	24	AQUAFLUSH® CONCEALED ZH HYDRAULIC ACTUATION DIAPHRAGM FLUSH VALVES	33
AQUASENSE® E-Z FLUSH® AQUAFLUSH® EXPOSED SENSOR BATTERY DIAPHRAGM FLUSH VALVES	11	AQUAVANTAGE® AV EXPOSED MANUAL DIAPHRAGM FLUSH VALVES	24	OPTIONS FOR HYDRAULIC ACTUATION	33
METROFLUSH® AQUASENSE® E-Z FLUSH® ZER EXPOSED SENSOR BATTERY PISTON FLUSH VALVES	11	AQUAFLUSH® PLUS PL EXPOSED MANUAL DIAPHRAGM FLUSH VALVES	26	PRISON FLUSH VALVES	34
AQUASENSE® ZERK-TM SERIES EZ GEAR SENSOR RETROFIT KITS	12	AQUAFLUSH® EXPOSED MANUAL DIAPHRAGM FLUSH VALVES	27	AQUAVANTAGE® AV PRISON FLUSH VALVES	34
AQUASENSE® E-Z FLUSH® RETROFIT KITS	12	METROFLUSH® EXPOSED PISTON FLUSH VALVES	27	AQUAVANTAGE® AV ZH HYDRAULIC ACTUATION PRISON FLUSH VALVES	34
OPTIONS FOR SENSOR FLUSH VALVE	12	EXPOSED MANUAL DIAPHRAGM FLUSH VALVES WITH BEDPAN DIVERter	28	AQUAFLUSH® PRISON FLUSH VALVES	35
CONNECTED FLUSH VALVES	13	AQUAVANTAGE® AV EXPOSED MANUAL DIAPHRAGM FLUSH VALVES WITH BEDPAN DIVERter VALVE	28	AQUAFLUSH® ZH HYDRAULIC ACTUATION PRISON FLUSH VALVES	35
CONNECTED BATTERY FLUSH VALVES	13	AQUAFLUSH® PLUS PL EXPOSED MANUAL DIAPHRAGM FLUSH VALVES WITH BEDPAN DIVERter VALVE	29	FLUSH VALVES FOR EASTERN STYLE WATER CLOSETS	36
CONNECTED HARDWIRED FLUSH VALVES	15	AQUAFLUSH® EXPOSED MANUAL DIAPHRAGM FLUSH VALVES WITH BEDPAN DIVERter VALVE	29	ACCESS PANELS	36
EXPOSED SENSOR HARDWIRED FLUSH VALVES	17	EXPOSED CLINIC AND SERVICE SINK FLUSH VALVES	30	RETROFIT X-BODIES - EXPOSED AND CONCEALED	37
ECOVANTAGE® ZTR EXPOSED HARDWIRED SENSOR PISTON FLUSH VALVES	17	EXPOSED MANUAL DIAPHRAGM FLUSH VALVES FOR CLINIC AND SERVICE SINKS	30	ACCESSORIES/VARIATIONS	38
AQUAVANTAGE® AV ZEMS EXPOSED HARDWIRED SENSOR DIAPHRAGM FLUSH VALVES	17			SPECIALTY ITEMS	38
AQUAFLUSH® PLUS PL ZEMS EXPOSED HARDWIRED SENSOR DIAPHRAGM FLUSH VALVES	18			ZURN® AQUAVANTAGE® AV FLUSH VALVE CROSS REFERENCE	39
AQUAFLUSH® ZEMS EXPOSED HARDWIRED SENSOR DIAPHRAGM FLUSH VALVES	18			ZURN® AQUAFLUSH® FLUSH VALVE CROSS REFERENCE	40
METROFLUSH® ZEMS EXPOSED HARDWIRED SENSOR PISTON FLUSH VALVES	19				
HARDWIRED SENSOR FLUSH VALVES OPTIONS	19				

FLUSH VALVE INTRODUCTION

Zurn is proud to offer a broad selection of manual and sensor flush valves to meet building owners' and facilities managers' wide variety of needs. Our EcoVantage® water-conserving valves lead the industry with the highest levels of performance while maximizing water savings. We were the first to launch the pint urinal, and we're still leading the market with our Omni-Flo™ urinal and 1.1gpf AquaVantage® flush valves. And with a wide variety of technologies and installation types, specifiers are sure to find a product to suit their applications.

AquaVantage® AV Diaphragm Flush Valves

Zurn AquaVantage flush valves feature a chemical and clog-resistant triple filter diaphragm, ensuring that the contaminants in your water won't clog the diaphragm over time. Like all Zurn diaphragms, these are made from Zurn's GO BLUE® thermoplastic elastomer material, designed to last up to 10 times longer than the competition. AV flush valves come standard with an ADA-compliant sensor or handle, vandal-resistant control stop cover, high-pressure vacuum breaker, and cast wall flange with set screws. All components can be purchased separately as replacement parts or as retrofit kits to provide any Zurn diaphragm flush valve with the AquaVantage®.

Aquaflush® PLUS PL Flush Valves

The Aquaflush PLUS PL series offer Zurn's chloramine-resistant TPE diaphragm with a clog-resistant bypass, ADA compliant valve with a non-hold open handle or sensor, cast wall flange with set screw, vandal-resistant control stop cover, high-pressure vacuum breaker, and sweat solder kit.

Aquaflush® Z6000 Series Flush Valves

For those applications that do not require the advanced features of Zurn's AquaVantage® AV line, the Z6000 Series is supplied with ADA handle and standard control stop cover with stamped wall flange and chemical-resistant diaphragm kit.

EZ Gear Flush Valves

EZ Gear technology delivers reliability, precision, and efficiency, thanks to the dual action of the ceramic disc cartridge and motor gear-driven operation. Our EZ Gear Technology keeps going, flush after flush. It withstands corrosive environments and wear over time—up to 1,00,000 cycles and counting. Plus, it features our industry-leading, chemical-resistant GO BLUE diaphragm; gaskets and seals last longer than traditional rubber. Their TPE-construction resist chemicals to help prevent deterioration and costly maintenance. Flush Valves with EZ Gear technology provide quiet diaphragm operation and precise sensor activation, making them an ideal touchless solution for high-traffic new and retrofit commercial restroom applications.

ZTR Sensor Piston Flush Valves

Zurn's ZTR sensor piston flush valve series provides a high-performance flushing system with unsurpassed water savings, all in a contemporary, streamlined design. The ZTR is equipped with chloramine-resistant internal seals which reduce maintenance costs, while flow rates as low as 1.1gpf (closets) and 0.125gpf (urinal) save 30% more water than typical 1.6gpf bowls.

ZTR piston flush valves come standard with chemical and clog-resistant components, ADA-compliant sensor activation, cast wall flange with set screw, vandal-resistant control stop cover, high-pressure vacuum breaker, and sweat solder kit. This product can be

installed for new construction or retrofitted to existing installations to lower building costs and provide long-term savings.

Metroflush® Manual Piston Flush Valves

Zurn Metroflush® manual piston flush valves are equipped with a chloramine-resistant piston with clog-resistant filtered bypass, and chemical-resistant gaskets and seals for extended service life with lower maintenance costs.

Connected Sensor Flush Valves

Zurn Connected Flush Valves give you insights in real time through wireless monitoring technology for preventative maintenance and more control over your restroom environment.

Manage daily activities more efficiently by setting up automatic notifications for flush valve usage count, water consumption, and preventative maintenance. You can monitor data and make decisions critical to keeping your water closets and urinals in working order.

ACTUATION

Manual

Requiring direct contact from the user to activate a flush via a handle, push button, or foot pedal actuator; these valves are the cornerstone of the Zurn flush valve portfolio. Manual valves can be either diaphragm or piston operated.

Sensor

Zurn's AquaSense® sensor technology provides reliable actuation through a continuous infrared beam that can detect the difference between a fixture user and passersby. Sensor placement can be integral to the valve or wall-mounted in a concealed application. With battery or hardwire power options, sensor valves can be either diaphragm or piston operated.

Hydraulic

Utilizing hydraulic pressure, this style requires manual activation to trip a non-hold open type hydraulic push button actuator that may be located up to 36" from the valve. Hydraulic valves are diaphragm operated.

Power Options

Hardwire, Battery and Long-Life Battery (-LL)

Most Zurn sensor flush valves are available in either battery or hard-wired configurations, depending on the installation requirements. Some valves, noted with a -LL suffix, offer a 10-year lithium battery option for long-life installations

Exposed vs. Concealed Installations

Exposed flush valves offer ease of access and utility for everyday projects, with all working components in view. These installations are the most common, with easier access for servicing and retrofit.

Concealed flush valves such as the ZEMS line of valves bring the everyday reliability of exposed valves to those situations where aesthetics and security lead over function. Consider adding an access panel to provide quick and simple access to in-wall concealed flush valves while maintaining the discreet appearance.

EXPOSED SENSOR FLUSH VALVES

Aquasense® ZER-TM Series EZ Gear Exposed Sensor Diaphragm Flush Valves

Engineered for performance, Zurn's AquaSense® ZER EZ Gear-Driven Exposed Sensor Diaphragm Water Closet Flush Valves save water without sacrificing power and precision. The ZER-TM Series Flush Valves are performance engineered with the dual action of the ceramic disc cartridge and motor gear-driven operation. Its polished chrome-plated finish, modern top-mount design, and quiet diaphragm operation are ideal for new and retrofit commercial restroom applications.

PRODUCT NO.	DESCRIPTION	FLOW RATE	UPC
Closet Valves			
ZER6000AV-ONE-TM	1.1 GPF Top Mount EZ Gear Driven Closet Sensor Flush Valve	1.1	889934172065
ZER6000AV-HET-TM	1.28 GPF Top Mount EZ Gear Driven Closet Sensor Flush Valve	1.28	889934172072
ZER6000AV-WS1-TM	1.6 GPF Top Mount EZ Gear Driven Closet Sensor Flush Valve	1.6	889934172089
ZER6000AV-DF-TM	1.6/1.1 GPF Dual Flush Top Mount EZ Gear Driven Closet Sensor Flush Valve	1.6/1.1	889934174786
Urinal Valves			
ZER6003AV-ULF-TM	0.125 GPF Top Mount EZ Gear Driven Urinal Sensor Flush Valve	0.125	889934172096
ZER6003AV-EWS-TM	0.5 GPF Top Mount EZ Gear Driven Urinal Sensor Flush Valve	0.5	889934172102
ZER6003AV-WS1-TM	1.0 GPF Top Mount EZ Gear Driven Urinal Sensor Flush Valve	1.0	889934172119

EcoVantage® ZTR Exposed Sensor Battery Piston Flush Valves

PRODUCT NO.	DESCRIPTION	FLOW RATE	UPC
EcoVantage® ZTR Exposed Sensor Flush Valve with 10 Year Long Life Batteries for 1-1/2" Top Spud Water Closet			
ZTR6200-ONE-LL	Standard 11 1/2" Rough-in	1.1 gpf	670240953918
ZTR6200EV-LL	Standard 11 1/2" Rough-in	1.28 gpf	670240816756
ZTR6200-WS1-LL	Standard 11 1/2" Rough-in	1.6 gpf	670240816718
ZTR6200-WS1-DF-LL	Standard 11 1/2" Rough-in	1.6/1.1 gpf	-
EcoVantage® ZTR Exposed Sensor Flush Valve for 1-1/2" Top Spud Water Closet			
ZTR6200-ONE	Standard 11 1/2" Rough-in	1.1 gpf	889934122947
ZTR6200EV	Standard 11 1/2" Rough-in	1.28 gpf	670240700420
ZTR6200EV-1	16" Rough-In	1.28 gpf	670240808188
ZTR6200-WS1	Standard 11 1/2" Rough-in	1.6 gpf	670240796577
ZTR6200-WS1-DF	Standard 11 1/2" Rough-in	1.6/1.1 gpf	889934179200
ZTR6200-1-WS1	16" Rough-In	1.6 gpf	889934120295
EcoVantage® ZTR Exposed Sensor Flush Valve with 10 Year Long Life Batteries for 3/4" Top Spud Urinal			
ZTR6203-ULF-LL	Standard 11 1/2" Rough-in	0.125 gpf	670240819900
ZTR6203-QRT-LL	Standard 11 1/2" Rough-in	0.25 gpf	670240946514
ZTR6203-EWS-LL	Standard 11 1/2" Rough-in	0.5 gpf	670240816572
ZTR6203-WS1-LL	Standard 11 1/2" Rough-in	1.0 gpf	670240816565
EcoVantage® ZTR Exposed Sensor Flush Valve for 3/4" Top Spud Urinal			
ZTR6203-ULF	Standard 11 1/2" Rough-in	0.125 gpf	670240848696
ZTR6203-QRT	Standard 11 1/2" Rough-in	0.25 gpf	670240959873
ZTR6203-EWS	Standard 11 1/2" Rough-in	0.5 gpf	670240806931
ZTR6203-WS1	Standard 11 1/2" Rough-in	1.0 gpf	670240800205



When ordering parts, always list product number and description.

For additional product information, please visit www.zurn.com.

Aquasense® E-Z Flush® AquaVantage® AV Exposed Sensor Battery Diaphragm Flush Valves

Note: Suffix -HMK is High Mount Adapter Kit for high rough-in.

PRODUCT NO.	DESCRIPTION	FLOW RATE	UPC
AquaVantage® AV ZER Exposed Battery Operated Sensor Flush Valve with E-Z Flush® Chrome-Plated Metal Cover for 1-1/2" Top Spud Water Closet			
ZER6000AV-ONE-CPM	Standard 11 1/2" Rough-in	1.1 gpf	889934100501
ZER6000AV-HET-CPM	Standard 11 1/2" Rough-in	1.28 gpf	-
ZER6000AV-1-HET-CPM	16" Rough-In	1.28 gpf	-
ZER6000AV-2-HET-CPM w/HMK	24" Rough-In	1.28 gpf	-
ZER6000AV-3-HET-CPM w/HMK	27" Rough-In	1.28 gpf	-
ZER6000AV-WS1-CPM	Standard 11 1/2" Rough-in	1.6 gpf	-
ZER6000AV-1-WS1-CPM	16" Rough-In	1.6 gpf	-
ZER6000AV-2-WS1-CPM w/HMK	24" Rough-In	1.6 gpf	-
ZER6000AV-3-WS1-CPM w/HMK	27" Rough-In	1.6 gpf	-
ZER6000AV-WS1-BWN-CPM w/HMK	Standard 26 1/2" Rough in	1.6 gpf	-
AquaVantage® AV ZER Exposed Battery Operated Sensor Flush Valve Less Stop and Flush Connection with E-Z Flush® Chrome-Plated Metal Cover			
ZER6000AV-HET-CPM-X		1.28 gpf	670240778252
ZER6000AV-WS1-CPM-X		1.6 gpf	670240542181
AquaVantage® AV ZER Exposed Battery Operated Sensor Flush Valve with E-Z Flush® Chrome-Plated Metal Cover for 1-1/4" Top Spud Urinal			
ZER6001AV-WS1-CPM	Standard 11 1/2" Rough-in	1.0 gpf	-
AquaVantage® AV ZER Exposed Battery Operated Sensor Flush Valve with E-Z Flush® Chrome-Plated Metal Cover for 3/4" Top Spud Urinal			
ZER6003AV-ULF-CPM	Standard 11 1/2" Rough-in	0.125 gpf	-
ZER6003AV-EWS-CPM	Standard 11 1/2" Rough-in	0.5 gpf	-
ZER6001AV-WS1-CPM	Standard 11 1/2" Rough-in	1.0 gpf	-
ZER6003AV-WS1-CPM	Standard 11 1/2" Rough-in	1.0 gpf	-
AquaVantage® AV ZER Exposed Battery Operated Sensor Flush Valve Less Stop and Flush Connection with E-Z Flush® Chrome-Plated Metal Cover			
ZER6001AV-WS1-CPM-X		1.0 gpf	-
AquaVantage® AV ZER Exposed Battery Operated Sensor Flush Valve Less Stop and Flush Connection with E-Z Flush® Chrome-Plated Metal Cover			
ZER6003AV-ULF-CPM-X		0.125 gpf	670240388185
ZER6003AV-EWS-CPM-X		0.5 gpf	670240388178
ZER6003AV-WS1-CPM-X		1.0 gpf	670240532922
OPTIONS	DESCRIPTION		
P6000-J10	Tailpiece Adapter for Ground Joint Stop Connection		670240413542
-CCP	Complete Chrome-Plated Plastic		-



ZER6000AV

Aquasense® E-Z Flush® Aquaflush® Plus PL Exposed Sensor Battery Diaphragm Flush Valves

PRODUCT NO.	DESCRIPTION	FLOW RATE	UPC
Aquaflush® Plus PL ZER Exposed Battery Operated Sensor with E-Z Flush® Chrome-Plated Metal Cover for 1-1/2" Top Spud Water Closet			
ZER6000PL-HET-CPM	Standard 11 1/2" Rough-in	1.28 gpf	670240385405
ZER6000PL-WS1-CPM	Standard 11 1/2" Rough-in	1.6 gpf	670240659322
Aquaflush® ZER Exposed Battery Operated Sensor with E-Z Flush® Chrome-Plated Metal Cover for 1-1/2" Top Spud Water Closet			
ZER6000-WS1-CPM-YB-YC	Standard 11 1/2" Rough-in	1.6 gpf	-
Aquaflush® Plus PL ZER Exposed Battery Operated Sensor with E-Z Flush® Chrome-Plated Metal Cover for 3/4" Top Spud Urinal			
ZER6003PL-WS1-CPM	Standard 11 1/2" Rough-in	1.0 gpf	670240658585
ZER6003PL-EWS-CPM	Standard 11 1/2" Rough-in	0.5 gpf	670240245259
ZER6003PL-ULF-CPM	Standard 11 1/2" Rough-in	0.125 gpf	670240460829
OPTIONS	DESCRIPTION		
-CCP	Complete Chrome-Plated Plastic		

Aquasense® E-Z Flush® Aquaflush® Exposed Sensor Battery Diaphragm Flush Valves

PRODUCT NO.	DESCRIPTION	FLOW RATE	UPC
Aquaflush® ZER Exposed Battery Operated Sensor with E-Z Flush® Chrome-Plated Metal Cover for 3/4" Top Spud Urinal			
ZER6003-EWS-CPM-YB-YC	Standard 11 1/2" Rough-in	0.5 gpf	-
ZER6003-WS1-CPM-YB-YC	Standard 11 1/2" Rough-in	1.0 gpf	-
OPTIONS	DESCRIPTION		
-CCP	Complete Chrome-Plated Plastic		

Metroflush® Aquasense® E-Z Flush® ZER Exposed Sensor Battery Piston Flush Valves

PRODUCT NO.	DESCRIPTION	FLOW RATE	UPC
Metroflush® ZER Exposed Battery Operated Sensor with E-Z Flush® Chrome-Plated Metal Cover for 1-1/2" Top Spud Water Closet			
ZER6200-HET-CPM-YB-YC	Standard 11 1/2" Rough-in	1.28 gpf	-
ZER6200-WS1-CPM-YB-YC	Standard 11 1/2" Rough-in	1.6 gpf	-
Metroflush® ZER Exposed Battery Operated Sensor with E-Z Flush® Chrome-Plated Metal Cover for 3/4" Top Spud Urinal			
ZER6203-EWS-CPM-YB-YC	Standard 11 1/2" Rough-in	0.5 gpf	-
ZER6203-WS1-CPM-YB-YC	Standard 11 1/2" Rough-in	1.0 gpf	-
ZER6203-ULF-CPM-YB-YC	Standard 11 1/2" Rough-in	0.125 gpf	-
OPTIONS	DESCRIPTION		
-CCP	Complete Chrome-Plated Plastic		



ZER600_PL-HET-CPM



ZER6000



ZER600_



ZER6200-HET-CPM-YB-YC

Aquasense® ZERK-TM Series EZ Gear Sensor Retrofit Kits

PRODUCT NO.	DESCRIPTION	FLOW RATE	UPC
Closet Retrofit Kits			
ZERK-C-ONE-TM	1.1 GPF Top Mount EZ Gear Driven Closet Sensor Retrofit Kit for Diaphragm Flush Valve	1.1	889934172140
ZERK-C-HET-TM	1.28 GPF Top Mount EZ Gear Driven Closet Sensor Retrofit Kit for Diaphragm Flush Valve	1.28	889934172133
ZERK-C-WS1-TM	1.6 GPF Top Mount EZ Gear Driven Closet Sensor Retrofit Kit for Diaphragm Flush Valve	1.6	889934172157
ZERK-C-DF-TM	1.6/1.1 GPF Dual Flush Top Mount EZ Gear Driven Closet Sensor Retrofit Kit for Diaphragm Flush Valve	1.6/11	889934172126
Urinal Retrofit Kits			
ZERK-U-ULF-TM	0.125 GPF Top Mount EZ Gear Driven Urinal Sensor Retrofit Kit for Diaphragm Flush Valve	0.125	889934173413
ZERK-U-EWS-TM	0.5 GPF Top Mount EZ Gear Driven Urinal Sensor Retrofit Kit for Diaphragm Flush Valve	0.5	889934173406
ZERK-U-WS1-TM	1.0 GPF Top Mount EZ Gear Driven Urinal Sensor Retrofit Kit for Diaphragm Flush Valve	1.0	889934174809
OPTIONS	DESCRIPTION		
-S	EZ Gear Sensor Retrofit Kit with Ring Assembly for Diaphragm Flush Valve		

Aquasense® E-Z Flush® Retrofit Kits

PRODUCT NO.	DESCRIPTION	FLOW RATE	UPC
E-Z Flush® Retrofit Kit with Chrome-Plated Metal Cover			
ZERK-CPM	Motorized Actuation for Zurn Flush Valve	-	670240569898
ZERK-CPM-LY	Motorized Actuation for Zurn Flush Valve	-	670240578425
E-Z Flush® Retrofit Kit with Chrome-Plated Metal Cover Complete Chrome-Plated Plastic Cover			
ZERK-CCP	Motorized Actuation for Zurn Flush Valve	-	670240711037
E-Z Flush® -HMK High Mount Adapter			
ZERK-HMK	Adapter kit allows for the downward angle of the E-Z Flush® Kit in high rough-in installations.	-	670240458284

Options for Sensor Flush Valve

PRODUCT NO.	DESCRIPTION	UPC
P6000-HW6	Hardwire 6 VDC Power Converter (Powers 8 ZEMS Valve)	670240533608
P6900-ACA-BA	Plug-in VDC Power Converter (Powers 8 ZEMS Valve)	670240443105
P6000-MJ	Zurn Mini Junction Box with Terminal Strips	670240419803
-MOB	Manual override button Exposed	-
-HYMOB	Hydraulic Manual override button for concealed valves	-



ZERK-TM



ZERK-CPM



ZERK-CCP

CONNECTED FLUSH VALVES

Zurn Connected Flush Valves give you insights in real time through wireless monitoring technology for preventative maintenance and more control over your restroom environment. Manage daily activities more efficiently by setting up automatic notifications for flush valve usage count, water consumption, and preventative maintenance. You can monitor data and make decisions critical to keeping your water closets and urinals in working order.

Connected Battery Flush Valves

PRODUCT NO.	DESCRIPTION	FLOW RATE	UPC
AquaVantage® AV ZER Connected Battery Sensor Flush Valve with E-Z Flush® Chrome-Plated Cover for Water Closet			
ZER6000AV-ONE-W2	Connected Battery Gear Driven Sensor Flush Valve for 1.1 GPF Water Closets	1.1 gpf	-
ZER6000AV-HET-W2	Connected Battery Gear Driven Sensor Flush Valve for 1.28 GPF Water Closets	1.28 gpf	-
ZER6000AV-WS1-W2	Connected Battery Gear Driven Sensor Flush Valve for 1.6 GPF Water Closets	1.6 gpf	-
AquaVantage® AV ZER Connected Battery Sensor Flush Valve with E-Z Flush® Chrome-Plated Cover for Urinal			
ZER6003AV-ULF-W2	Connected Battery Gear Driven Sensor Flush Valve for 0.125 GPF Urinals	0.125 gpf	-
ZER6003AV-EWS-W2	Connected Battery Gear Driven Sensor Flush Valve for 0.5 GPF Urinals	0.5 gpf	-
ZER6003AV-WS1-W2	Connected Battery Gear Driven Sensor Flush Valve for 1.0 GPF Urinals	1.0 gpf	-
Aquaflush® Plus PL ZER Connected Battery Sensor Flush Valve with E-Z Flush® Chrome-Plated Cover for Water Closet			
ZER6000PL-ONE-W2	Connected Battery Gear Driven Sensor Flush Valve for 1.1 GPF Water Closets	1.1 gpf	-
ZER6000PL-HET-W2	Connected Battery Gear Driven Sensor Flush Valve for 1.28 GPF Water Closets	1.28 gpf	-
ZER6000PL-WS1-W2	Connected Battery Gear Driven Sensor Flush Valve for 1.6 GPF Water Closets	1.6 gpf	-
Aquaflush® Plus PL ZER Connected Battery Sensor Flush Valve with E-Z Flush® Chrome-Plated Cover for Urinal			
ZER6003PL-ULF-W2	Connected Battery Gear Driven Sensor Flush Valve for 0.125 GPF Urinals	0.125 gpf	-
ZER6003PL-EWS-W2	Connected Battery Gear Driven Sensor Flush Valve for 0.5 GPF Urinals	0.5 gpf	-
ZER6003PL-WS1-W2	Connected Battery Gear Driven Sensor Flush Valve for 1.0 GPF Urinals	1.0 gpf	-
Aquasense® E-Z Flush® Retrofit Kit with Chrome-Plated Metal Cover			
ZERK-W2	Connected Battery Gear Driven Sensor Flush Valve Retrofit Kit for Water Closets and Urinals	-	-



When ordering parts, always list product number and description.

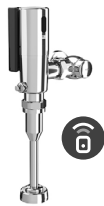
For additional product information, please visit www.zurn.com.

Connected Battery Flush Valves

PRODUCT NO.	DESCRIPTION	FLOW RATE	UPC
EcoVantage® ZTR Connected Battery Sensor Piston Flush Valve for Top Spud Water Closet			
ZTR6200-ONE-W2	Connected Battery Sensor Flush Valve with Long-life Battery for 1.1 GPF Water Closets	1.1 gpf	-
ZTR6200-1-ONE-W2	Connected Battery Sensor Flush Valve with 13" Vac Tube and Long-life Battery for 1.1 GPF Water Closets	1.1 gpf	-
ZTR6200EV-W2	Connected Battery Sensor Flush Valve with Long-life Battery for 1.28 GPF Water Closets	1.28 gpf	-
ZTR6200-WS1-W2	Connected Battery Sensor Flush Valve with Long-life Battery for 1.6 GPF Water Closets	1.6 gpf	-
ZTR6200-WS1-DF-W2	Connected Battery Sensor Flush Valve with Long-life Battery for 1.6/1.1 GPF Dual Flush Water Closets	1.6/1.1 gpf	-
EcoVantage® ZTR Connected Battery Sensor Piston Flush Valve for Top Spud Urinal			
ZTR6203-ULF-W2	Connected Battery Sensor Flush Valve with Long-life Battery for 0.125 GPF Urinals	0.125 gpf	-
ZTR6203-QRT-W2	Connected Battery Sensor Flush Valve with Long-life Battery for 0.25 GPF Urinals	0.25 gpf	-
ZTR6203-EWS-W2	Connected Battery Sensor Flush Valve with Long-life Battery for 0.5 GPF Urinals	0.5 gpf	-
ZTR6203-WS1-W2	Connected Battery Sensor Flush Valve with Long-life Battery for 1.0 GPF Urinals	1.0 gpf	-
EcoVantage® ZTR Connected Battery Sensor Piston Retrofit Kit for Top Spud Urinal			
ZTR6200-ONE-X-W2	Connected Battery Sensor Flush Valve Retrofit Kit with Long-life Battery for 1.1 GPF Water Closets	1.1 gpf	-
ZTR6200EV-X-W2	Connected Battery Sensor Flush Valve Retrofit Kit with Long-life Battery for 1.28 GPF Water Closets	1.28 gpf	-
ZTR6200-WS1-X-W2	Connected Battery Sensor Flush Valve Retrofit Kit with Long-life Battery for 1.6 GPF Water Closets	1.6 gpf	-
ZTR6200-WS1-DF-X-W2	Connected Battery Sensor Flush Valve Retrofit Kit with Long-life Battery for 1.6/1.1 GPF Dual Flush Water Closets	1.6/1.1 gpf	-
EcoVantage® ZTR Connected Battery Sensor Piston Retrofit Kit for Top Spud Water Closet			
ZTR6203-ULF-X-W2	Connected Battery Sensor Flush Valve Retrofit Kit with Long-life Battery for 0.125 GPF Urinals	0.125 gpf	-
ZTR6203-QRT-X-W2	Connected Battery Sensor Flush Valve Retrofit Kit with Long-life Battery for 0.25 GPF Urinals	0.25 gpf	-
ZTR6203-EWS-X-W2	Connected Battery Sensor Flush Valve Retrofit Kit with Long-life Battery for 0.5 GPF Urinals	0.5 gpf	-
ZTR6203-WS1-X-W2	Connected Battery Sensor Flush Valve Retrofit Kit with Long-life Battery for 1.0 GPF Urinals	1.0 gpf	-
ZTR Connected Repair Kits			
PTR6200-L-0.125-W2	Connected Battery ZTR Cap Retrofit Kit - 0.125 GPF	0.125 gpf	-
PTR6200-L-0.25-W2	Connected Battery ZTR Cap Retrofit Kit - 0.25 GPF	0.25 gpf	-
PTR6200-L-0.5-W2	Connected Battery ZTR Cap Retrofit Kit - 0.5 GPF	0.5 gpf	-
PTR6200-L-1.0-W2	Connected Battery ZTR Cap Retrofit Kit - 1.0 GPF	1.0 gpf	-
PTR6200-L-1.1-W2	Connected Battery ZTR Cap Retrofit Kit - 1.1 GPF	1.1 gpf	-
PTR6200-L-1.28-W2	Connected Battery ZTR Cap Retrofit Kit - 1.28 GPF	1.28 gpf	-
PTR6200-L-1.6-W2	Connected Battery ZTR Cap Retrofit Kit - 1.6 GPF	1.6 gpf	-
PTR6200-L-DF-W2	Connected Battery ZTR Cap Retrofit Kit - 1.6/1.1 GPF	1.6/1.1 gpf	-



ZTR6200-W2



ZTR6203-W2



PTR6200-L

Connected Hardwired Flush Valves

PRODUCT NO.	DESCRIPTION	FLOW RATE	UPC
AquaVantage® AV ZEMS Connected Hardwired Motorized Sensor Diaphragm Flush Valve for Water Closet			
ZEMS6000AV-1-HET-W1	Connected Hardwired Motorized Sensor Flush Valve with 13" Vac Tub for 1.28 GPF for Water Closets	1.28 gpf	889934174137
ZEMS6000AV-HET-W1	Connected Hardwired Motorized Sensor Flush Valve for 1.28 GPF for Water Closets	1.28 gpf	889934181555
ZEMS6000AV-WS1-W1	Connected Hardwired Motorized Sensor Flush Valve for 1.6 GPF for Water Closets	1.6 gpf	889934181562
ZEMS6000AV-MOB-W1	Connected Hardwired Motorized Sensor Flush Valve with MOB for 1.28 GPF for Water Closets	3.5 gpf	889934167368
ZEMS6000AV-W1	Connected Hardwired Motorized Sensor Flush Valve for 1.28 GPF for Water Closets	3.5 gpf	889934175929
AquaVantage® AV ZEMS Connected Hardwired Motorized Sensor Diaphragm Flush Valve for Urinal			
ZEMS6003AV-EWS-W1	Connected Hardwired Motorized Sensor Flush Valve for 0.5 GPF for Urinals	0.5 gpf	889934181821
ZEMS6003AV-ULF-W1	Connected Hardwired Motorized Sensor Flush Valve for 0.125 GPF for Urinals	0.125 gpf	889934181838
ZEMS6003AV-WS1-W1	Connected Hardwired Motorized Sensor Flush Valve for 1.0 GPF for Urinals	1.0 gpf	889934181845
ZEMS6003AV-W1	Connected Hardwired Motorized Sensor Flush Valve for 1.5 GPF for Urinals	1.5 gpf	889934181814
ZEMS6003AV-MOB-W1	Connected Hardwired Motorized Sensor Flush Valve with MOB for 1.5 GPF for Urinals	1.5 gpf	889934167375
Aquaflush® Plus PL ZEMS Connected Hardwired Motorized Sensor Diaphragm Flush Valve for Water Closet			
ZEMS6000PL-HET-W1	Connected Hardwired Motorized Sensor Flush Valve for 1.28 GPF for Water Closets	1.28 gpf	889934181791
ZEMS6000PL-WS1-W1	Connected Hardwired Motorized Sensor Flush Valve for 1.6 GPF for Water Closets	1.6 gpf	889934181579
Aquaflush® Plus PL ZEMS Connected Hardwired Motorized Sensor Diaphragm Flush Valve for Urinal			
ZEMS6003PL-EWS-W1	Connected Hardwired Motorized Sensor Flush Valve for 0.5 GPF for Urinals	0.5 gpf	889934181869
ZEMS6003PL-ULF-W1	Connected Hardwired Motorized Sensor Flush Valve for 0.125 GPF for Urinals	0.125 gpf	889934181876
ZEMS6003PL-WS1-W1	Connected Hardwired Motorized Sensor Flush Valve for 1.0 GPF for Urinals	1.0 gpf	889934181883
AquaVantage® AV ZEMS-IS Connected Hardwired Motorized Integral Sensor Diaphragm Flush Valve for Water Closet			
ZEMS6000AV-HET-IS-W1	Connected Hardwired Motorized Integral Sensor Flush Valve for 1.28 GPF for Water Closets	1.28 gpf	889934185904
ZEMS6000AV-ONE-IS-W1	Connected Hardwired Motorized Integral Sensor Flush Valve for 1.1 GPF for Water Closets	1.1 gpf	889934186574
ZEMS6000AV-WS1-IS-W1	Connected Hardwired Motorized Integral Sensor Flush Valve for 1.6 GPF for Water Closets	1.6 gpf	889934186581
ZEMS6000AV-HET-IS-MOB-W1	Connected Hardwired Motorized Integral Sensor Flush Valve w/ MOB for 1.28 gpf for Water Closets	1.28 gpf	-
ZEMS6000AV-ONE-IS-MOB-W1	Connected Hardwired Motorized Integral Sensor Flush Valve w/ MOB for 1.1 gpf for Water Closets	1.1 gpf	-
ZEMS6000AV-WS1-IS-MOB-W1	Connected Hardwired Motorized Integral Sensor Flush Valve w/ MOB for 1.6 GPF for Water Closets	1.6 gpf	-
ZEMS6000AV-2-HET-IS-W1	Connected Hardwired Motorized Integral Sensor Flush Valve for 1.28 GPF for Water Closets	1.28 gpf	-
AquaVantage® AV ZEMS-IS Connected Hardwired Motorized Integral Sensor Diaphragm Flush Valve for Urinal			
ZEMS6003AV-EWS-IS-W1	Connected Hardwired Motorized Integral Sensor Flush Valve for 0.5 GPF for Urinals	0.5 gpf	889934186659
ZEMS6003AV-ULF-IS-W1	Connected Hardwired Motorized Integral Sensor Flush Valve for 0.125 GPF for Urinals	0.125 gpf	889934186697
ZEMS6003AV-WS1-IS-W1	Connected Hardwired Motorized Integral Sensor Flush Valve for 1.0 GPF for Urinals	1.0 gpf	889934186703
ZEMS6003AV-EWS-IS-MOB-W1	Connected Hardwired Motorized Integral Sensor Flush Valve with MOB for 0.5 GPF for Urinals	0.5 gpf	-
ZEMS6003AV-ULF-IS-MOB-W1	Connected Hardwired Motorized Integral Sensor Flush Valve with MOB for 0.125 GPF for Urinals	0.125 gpf	-
ZEMS6003AV-WS1-IS-MOB-W1	Connected Hardwired Motorized Integral Sensor Flush Valve with MOB for 1.0 GPF for Urinals	1.0 gpf	-



ZEMS6000AV-W1

ZEMS6003AV-W1

ZEMS6000AV-IS-W1

ZEMS6003AV-IS-W1

Connected Hardwired Flush Valves

PRODUCT NO.	DESCRIPTION	FLOW RATE	UPC
Aquaflush® Plus PL ZEMS-IS Connected Hardwired Motorized Integral Sensor Diaphragm Flush Valve for Water Closet			
ZEMS6000PL-HET-IS-W1	Connected Hardwired Motorized Integral Sensor Flush Valve for 1.28 GPF for Water Closets	1.28 gpf	-
ZEMS6000PL-WS1-IS-W1	Connected Hardwired Motorized Integral Sensor Flush Valve for 1.6 GPF for Water Closets	1.6 gpf	-
Aquaflush® Plus PL ZEMS-IS Connected Hardwired Motorized Integral Sensor Diaphragm Flush Valve for Urinal			
ZEMS6003PL-ULF-IS-W1	Connected Hardwired Motorized Integral Sensor Diaphragm Flush Valve for 1.0 GPF for Urinals	1.0 gpf	-
Aquaflush® ZEMS-IS Connected Hardwired Motorized Integral Sensor Diaphragm Flush Valve for Water Closet			
ZEMS6000-HET-IS-YB-YC-W1	Connected Hardwired Motorized Integral Sensor Flush Valve for 1.28 GPF for Water Closets	1.28 gpf	-
ZEMS6000-ONE-IS-YB-YC-W1	Connected Hardwired Motorized Integral Sensor Flush Valve for 1.1 GPF for Water Closets	1.1 gpf	-
ZEMS6000-WS1-IS-YB-YC-W1	Connected Hardwired Motorized Integral Sensor Flush Valve for 1.6 GPF for Water Closets	1.6 gpf	-
Aquaflush® ZEMS-IS Connected Hardwired Motorized Integral Sensor Diaphragm Flush Valve for Urinal			
ZEMS6003-EWS-IS-YB-YC-W1	Connected Hardwired Motorized Integral Sensor Flush Valve for 0.5 GPF for Urinals	0.5 gpf	-
ZEMS6003-ULF-IS-YB-YC-W1	Connected Hardwired Motorized Integral Sensor Flush Valve for 0.5 GPF for Urinals	0.125 gpf	-
ZEMS6003-WS1-IS-YB-YC-W1	Connected Hardwired Motorized Integral Sensor Flush Valve for 0.5 GPF for Urinals	1.0 gpf	-
Metroflush® ZEMS-IS Connected Hardwired Motorized Integral Sensor Piston Flush Valve for Water Closet			
ZEMS6200-HET-IS-YB-YC-W1	Connected Hardwired Motorized Integral Sensor Flush Valve for 1.28 GPF for Water Closets	1.28 gpf	-
ZEMS6200-WS1-IS-YB-YC-W1	Connected Hardwired Motorized Integral Sensor Flush Valve for 1.6 GPF for Water Closets	1.6 gpf	-
Metroflush® ZEMS-IS Connected Hardwired Motorized Integral Sensor Piston Flush Valve for Urinal			
ZEMS6203-EWS-IS-YB-YC-W1	Connected Hardwired Motorized Integral Sensor Flush Valve for 0.5 GPF for Urinals	0.5 gpf	-
ZEMS6203-WS1-IS-YB-YC-W1	Connected Hardwired Motorized Integral Sensor Flush Valve for 1.0 GPF for Urinals	1.0 gpf	-



ZEMS6000PL-IS-W1



ZEMS6003PL-IS-W1



ZEMS6000-W1



ZEMS6003-W1

EXPOSED SENSOR HARDWIRED FLUSH VALVES

EcoVantage® ZTR Exposed Hardwired Sensor Piston Flush Valves

PRODUCT NO.	DESCRIPTION	FLOW RATE	UPC
EcoVantage® ZTR Exposed Hardwired Sensor Piston Flush Valve for 1-1/2" Top Spud Water Closet			
ZTR6200-ONE-HW	Standard 11 1/2" Rough-in	1.1 gpf	889934002072
ZTR6200EV-HW	Standard 11 1/2" Rough-in	1.28 gpf	670240968059
ZTR6200-WS1-HW	Standard 11 1/2" Rough-in	1.6 gpf	889934001761
ZTR6200-WS1-DF-HW	Standard 11 1/2" Rough-in	1.6/1.1 gpf	889934179248
EcoVantage® ZTR Exposed Hardwired Sensor Piston Flush Valve for 3/4" Top Spud Urinal			
ZTR6203-ULF-HW	Standard 11 1/2" Rough-in	0.125 gpf	670240967793
ZTR6203-QRT-HW	Standard 11 1/2" Rough-in	0.25 gpf	67024008854
ZTR6203-EWS-HW	Standard 11 1/2" Rough-in	0.5 gpf	670240968080
ZTR6203-WS1-HW	Standard 11 1/2" Rough-in	1.0 gpf	670240968073

AquaVantage® AV ZEMS Exposed Hardwired Sensor Diaphragm Flush Valves

PRODUCT NO.	DESCRIPTION	FLOW RATE	UPC
AquaVantage® AV ZEMS Exposed Hardwired Sensor Diaphragm Flush Valve for 1-1/2" Top Spud Water Closet			
ZEMS6000AV-ONE-IS	Standard 11 1/2" Rough-in	1.1 gpf	889934109757
ZEMS6000AV-HET-IS	Standard 11 1/2" Rough-in	1.28 gpf	670240364615
ZEMS6000AV-WS1-IS	Standard 11 1/2" Rough-in	1.6 gpf	670240600799
AquaVantage® AV ZEMS Exposed Hardwired In Wall Sensor Diaphragm Flush Valve for 1-1/2" Top Spud Water Closet			
ZEMS6000AV-HET	Standard 11 1/2" Rough-in	1.28 gpf	670240375598
ZEMS6000AV-WS1	Standard 11 1/2" Rough-in	1.6 gpf	670240528819
AquaVantage® AV ZEMS Exposed Hardwired Integral Sensor Diaphragm Flush Valve for 1-1/4" Top Spud Urinal			
ZEMS6001AV-WS1-IS	Standard 11 1/2" Rough-in	1.0 gpf	670240601680
AquaVantage® AV ZEMS Exposed Hardwired Integral Sensor Diaphragm Flush Valve for 3/4" Top Spud Urinal			
ZEMS6003AV-ULF-IS	Standard 11 1/2" Rough-in	.125 gpf	670240383142
ZEMS6003AV-EWS-IS	Standard 11 1/2" Rough-in	.5 gpf	670240471597
ZEMS6003AV-WS1-IS	Standard 11 1/2" Rough-in	1.0 gpf	670240600836
AquaVantage® AV ZEMS Exposed Hardwired In Wall Sensor Diaphragm Flush Valve for 3/4" Top Spud Urinal			
ZEMS6003AV-ULF	Standard 11 1/2" Rough-in	.125 gpf	670240385245
ZEMS6003AV-EWS	Standard 11 1/2" Rough-in	.5 gpf	670240634244
ZEMS6003AV-WS1	Standard 11 1/2" Rough-in	1.0 gpf	670240528789



ZTR6200EV



ZTR6203-WS1



ZEMS6000AV-IS



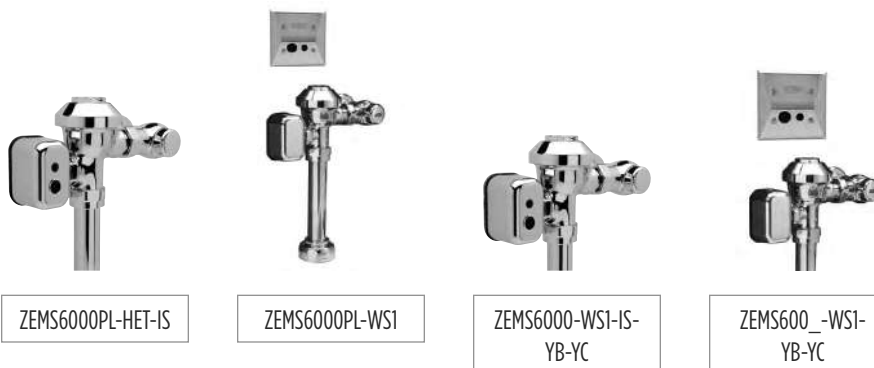
ZEMS6003AV

Aquaflush® Plus PL ZEMS Exposed Hardwired Sensor Diaphragm Flush Valves

PRODUCT NO.	DESCRIPTION	FLOW RATE	UPC
Aquaflush® Plus PL ZEMS Exposed Hardwired Integral Sensor Diaphragm Flush Valve for 1-1/2" Top Spud Water Closet			
ZEMS6000PL-HET-IS	Standard 11 1/2" Rough-in	1.28 gpf	670240389267
ZEMS6000PL-WS1-IS	Standard 11 1/2" Rough-in	1.6 gpf	670240665590
Aquaflush® Plus PL ZEMS Exposed Hardwired Integral Sensor Diaphragm Flush Valve for 1-1/4" Top Spud Urinal			
ZEMS6001PL-WS1-IS	Standard 11 1/2" Rough-in	1.0 gpf	670240394599
Aquaflush® Plus PL ZEMS Exposed Hardwired Integral Sensor Diaphragm Flush Valve for 3/4" Top Spud Urinal			
ZEMS6003PL-EWS-IS	Standard 11 1/2" Rough-in	.5 gpf	670240377691
ZEMS6003PL-WS1-IS	Standard 11 1/2" Rough-in	1.0 gpf	670240665583
ZEMS6003PL-ULF-IS	Standard 11 1/2" Rough-in	.125 gpf	670240445987
Aquaflush® Plus PL ZEMS Exposed Hardwired In Wall Sensor Diaphragm Flush Valve for 1-1/2" Top Spud Water Closet			
ZEMS6000PL-HET	Standard 11 1/2" Rough-in	1.28 gpf	670240386174
ZEMS6000PL-WS1	Standard 11 1/2" Rough-in	1.6 gpf	670240642737
Aquaflush® Plus PL ZEMS Exposed Hardwired In Wall Sensor Diaphragm Flush Valve for 3/4" Top Spud Urinal			
ZEMS6003PL-EWS	Standard 11 1/2" Rough-in	0.5 gpf	670240406575
ZEMS6003PL-WS1	Standard 11 1/2" Rough-in	1.0 gpf	670240395237
ZEMS6003PL-ULF	Standard 11 1/2" Rough-in	0.125 gpf	670240687134

Aquaflush® ZEMS Exposed Hardwired Sensor Diaphragm Flush Valves

PRODUCT NO.	DESCRIPTION	FLOW RATE	UPC
Aquaflush® ZEMS Exposed Hardwired Integral Sensor Diaphragm Flush Valve for 1-1/2" Top Spud Water Closet			
ZEMS6000-WS1-IS-YB-YC	Standard 11 1/2" Rough-in	1.6 gpf	670240630291
Aquaflush® ZEMS Exposed Hardwired Integral Sensor Diaphragm Flush Valve for 1-1/4" Top Spud Urinal			
ZEMS6001-WS1-IS-YB-YC	Standard 11 1/2" Rough-in	1.0 gpf	670240791343
Aquaflush® ZEMS Exposed Hardwired Integral Sensor Diaphragm Flush Valve for 3/4" Top Spud Urinal			
ZEMS6003-EWS-IS-YB-YC	Standard 11 1/2" Rough-in	0.5 gpf	670240490857
ZEMS6003-WS1-IS-YB-YC	Standard 11 1/2" Rough-in	1.0 gpf	670240630307
Aquaflush® ZEMS Exposed Hardwired In Wall Sensor Diaphragm Flush Valve for 1-1/2" Top Spud Water Closet			
ZEMS6000-WS1-YB-YC	Standard 11 1/2" Rough-in	1.6 gpf	670240400412
Aquaflush® ZEMS Exposed Hardwired In Wall Sensor Diaphragm Flush Valve for 1-1/4" Top Spud Urinal			
ZEMS6001-WS1-YB-YC	Standard 11 1/2" Rough-in	1.0 gpf	670240251182
Aquaflush® ZEMS Exposed Hardwired In Wall Sensor Diaphragm Flush Valve for 3/4" Top Spud Urinal			
ZEMS6003-WS1-YB-YC	Standard 11 1/2" Rough-in	1.0 gpf	670240400429
ZEMS6003-EWS-YB-YC	Standard 11 1/2" Rough-in	0.5 gpf	670240344310



ZEMS6000PL-HET-IS

ZEMS6000PL-WS1

ZEMS6000-WS1-IS-YB-YC

ZEMS600_-WS1-YB-YC

Metroflush® ZEMS Exposed Hardwired Sensor Piston Flush Valves

PRODUCT NO.	DESCRIPTION	FLOW RATE	UPC
Metroflush® ZEMS Exposed Hardwired Integral Sensor Piston Flush Valve for 1-1/2" Top Spud Water Closet			
ZEMS6200-HET-IS-YB-YC	Standard 11 1/2" Rough-in	1.28 gpf	670240485853
ZEMS6200-WS1-IS-YB-YC	Standard 11 1/2" Rough-in	1.6 gpf	670240495760
Metroflush® ZEMS Exposed Hardwired Integral Sensor Piston Flush Valve for 3/4" Top Spud Urinal			
ZEMS6203-WS1-IS-YB-YC	Standard 11 1/2" Rough-in	1.0 gpf	670240491397
ZEMS6203-EWS-IS-YB-YC	Standard 11 1/2" Rough-in	0.5 gpf	670240696983
Metroflush® ZEMS Exposed Hardwired In Wall Sensor Piston Flush Valve for 1-1/2" Top Spud Water Closet			
ZEMS6200-HET-YB-YC	Standard 11 1/2" Rough-in	1.28 gpf	670240692800
ZEMS6200-WS1-YB-YC	Standard 11 1/2" Rough-in	1.6 gpf	670240687271
Metroflush® ZEMS Exposed Hardwired In Wall Sensor Piston Flush Valve for 3/4" Top Spud Urinal			
ZEMS6203-WS1-YB-YC	Standard 11 1/2" Rough-in	1.0 gpf	670240700482
ZEMS6203-EWS-YB-YC	Standard 11 1/2" Rough-in	0.5 gpf	670240861459

Hardwired Sensor Flush Valves Options

OPTIONS	DESCRIPTION	
P6000-HW6	Hardwire VDC Power Converter (Powers 8 ZEMS Valve, Order appropriate quantity.)	670240533608
P6900-ACA-BA	Plug-in VDC Power Converter	670240443105
P6000-MJ	Zurn Mini Junction Box with Terminal Strips	670240419803
-MOB	Manual override button	-



ZEMS6200-WS1-IS-YB-YC



ZEMS6200-WS1-YB-YC

CONCEALED FLUSH VALVES

Ordering Instructions for Concealed and Prison Flush Valve

When ordering concealed flush valve, 'L' Dim. must be specified.

- 'L' Dim. equals 2-3/4" plus thickness of wall. Note: for combination lavatory/closet fixtures, add one more inch to wall thickness.
- Penal flush Valve are furnished with -L small vandal-resistant push button as standard.
- For hydraulic application, specify prefix ZH and refer to the Hydraulic section of this price sheet.
- If flush valve are to be used with access panels, order must be noted using Suffix AP after model number. See Z6199 Access Panels for size and price.
- For concealed flush valve, specify -J (handle), -L (small push button), -L3 (3" large push button).
- For 'L' Dim. longer than 12-3/4", add \$9.26 per inch.

AquaVantage® AV ZEMS Concealed Hardwired In Wall Sensor Diaphragm Flush Valves

PRODUCT NO.	DESCRIPTION	FLOW RATE	UPC
AquaVantage® AV ZEMS Concealed Hardwired In Wall Sensor Diaphragm Flush Valve for Exposed 1-1/2" Back Spud Water Closet			
ZEMS6140AV-HET	14 1/2" Rough in for Exposed Back Spud Connection	1.28 gpf	-
ZEMS6140AV-WS1	14 1/2" Rough in for Exposed Back Spud Connection	1.6 gpf	-
AquaVantage® AV ZEMS Concealed Hardwired In Wall Sensor Diaphragm Flush Valve for 1-1/2" Back Spud Water Closet			
ZEMS6152AV-ONE	14 1/2" Rough In for Back Spud Connection	1.1 gpf	-
ZEMS6152AV-HET	14 1/2" Rough In for Back Spud Connection	1.28 gpf	-
ZEMS6152AV-WS1	14 1/2" Rough In for Back Spud Connection	1.6 gpf	-
AquaVantage® AV ZEMS Concealed Hardwired In Wall Sensor Diaphragm Flush Valve for 1-1/2" Top Spud Water Closet			
ZEMS6153AV-HET	14" Rough in for Exposed Top Spud Connection	1.28 gpf	-
ZEMS6153AV-WS1	14" Rough in for Exposed Top Spud Connection	1.6 gpf	-
AquaVantage® AV ZER Concealed Hardwired In Wall Sensor Diaphragm Flush Valve for 1-1/4" Back Spud Urinal			
ZEMS6190AV-WS1	14 1/2" Rough in for Back Spud Connection	1.0 gpf	-
AquaVantage® AV ZEMS Concealed Hardwired In Wall Sensor Diaphragm Flush Valve for 3/4" Back Spud Urinal			
ZEMS6195AV-ULF	13 1/2" Rough in for Back Spud Connection	0.125 gpf	-
ZEMS6195AV-EWS	13 1/2" Rough in for Back Spud Connection	0.5 gpf	-
ZEMS6195AV-WS1	13 1/2" Rough in for Back Spud Connection	1.0 gpf	-
AquaVantage® AV ZEMS Concealed Hardwired In Wall Sensor Diaphragm Flush Valve for 3/4" Top Spud Urinal			
ZEMS6197AV-ULF	18 1/2" Rough in for Exposed Top Spud Connection	0.125 gpf	670240337329
ZEMS6197AV-EWS	18 1/2" Rough in for Exposed Top Spud Connection	0.5 gpf	670240471122
ZEMS6197AV-WS1	18 1/2" Rough in for Exposed Top Spud Connection	1.0 gpf	670240629745



ZEMS6140AV



ZEMS6190AV

AquaVantage® AV ZER Concealed Battery In Wall Sensor Diaphragm Flush Valves

PRODUCT NO.	DESCRIPTION	FLOW RATE	UPC
AquaVantage® AV ZER Concealed Battery In Wall Sensor Diaphragm Flush Valve for Exposed 1-1/2" Back Spud Water Closet			
ZER6140AV-HET	14 1/2" Rough In for Exposed Back Spud Connection	1.28 gpf	-
AquaVantage® AV ZER Concealed Battery In Wall Sensor Diaphragm Flush Valve for 1-1/2" Back Spud Water Closet			
ZER6152AV-ONE	14 1/2" Rough In for Back Spud Connection	1.1 gpf	-
ZER6152AV-HET	14 1/2" Rough In for Back Spud Connection	1.28 gpf	-
ZER6152AV-WS1	14 1/2" Rough In for Back Spud Connection	1.6 gpf	-
AquaVantage® AV ZER Concealed Battery In Wall Sensor Diaphragm Flush Valve for 1-1/2" Top Spud Water Closet			
ZER6153AV-WS1	14" Rough In for Exposed Top Spud Connection	1.6 gpf	-
AquaVantage® AV ZER Concealed Battery In Wall Sensor Diaphragm Flush Valve for 1-1/4" Back Spud Urinal			
ZER6190AV-WS1	13" Rough in for Back Spud Connection	1.0 gpf	-
AquaVantage® AV ZER Concealed Battery In Wall Sensor Diaphragm Flush Valve for 3/4" Back Spud Urinal			
ZER6195AV-ULF	13" Rough in for Back Spud Connection	0.125 gpf	-
ZER6195AV-EWS	13" Rough in for Back Spud Connection	0.5 gpf	-
ZER6195AV-WS1	13" Rough in for Back Spud Connection	1.0 gpf	-
AquaVantage® AV ZER Concealed Battery In Wall Sensor Diaphragm Flush Valve for 3/4" Top Spud Urinal			
ZER6197AV-ULF	18.5" Rough in for Exposed Top Spud Connection	0.125 gpf	889934084016
ZER6197AV-EWS	18.5" Rough in for Exposed Top Spud Connection	0.5 gpf	-
ZER6197AV-WS1	18.5" Rough in for Exposed Top Spud Connection	1.0 gpf	-



ZER6152AV

AquaVantage® AV Concealed Diaphragm Flush Valves

PRODUCT NO.	DESCRIPTION	FLOW RATE	UPC
AquaVantage® AV Concealed Flush Valve with Exposed Manual Handle for 10" Offset 1-1/2" Exposed Back Spud Water Closet			
Z6140AV-HET	14 1/2" Rough-In	1.28 gpf	-
Z6140AV-WS1	14 1/2" Rough-In	1.6 gpf	-
AquaVantage® AV Concealed Flush Valve with Exposed Manual Handle for 10" Offset 1-1/2" Exposed Top Spud Water Closet			
Z6142AV-HET	12-1/2" Rough-In	1.28 gpf	-
Z6142AV-WS1	12-1/2" Rough-In	1.6 gpf	-
AquaVantage® AV Concealed Flush Valve with Exposed Manual Handle for 10" Offset 1-1/2" Back Spud Water Closet			
Z6143AV-ONE	14" Rough-In	1.1 gpf	-
Z6143AV-HET	14" Rough-In	1.28 gpf	-
Z6143AV-HET-L3	14" Rough-In w/ 3" Push Button	1.28 gpf	-
Z6143AV-WS1	14" Rough-In	1.6 gpf	-
Z6143AV-WS1-L3	14" Rough-In w/ 3" Push Button	1.6 gpf	-
Z6144AV-HET	10 1/2" Rough-In	1.28 gpf	-
Z6144AV-WS1	10 1/2" Rough-In	1.6 gpf	-
AquaVantage® AV Concealed Flush Valve with Exposed Manual Push Button for Flushing Floor Drains			
Z6150AV-WS1	w/ 1" NPT female outlet	1.6 gpf	-
AquaVantage® AV Concealed Flush Valve with Exposed Manual Push Button for 1-1/2" Back Spud Water Closet			
Z6152AV-HET	24" Rough In	1.28 gpf	-
Z6152AV-HET-L3	24" Rough In w/ 3" Push Button	1.28 gpf	-
Z6152AV-WS1	24" Rough In	1.6 gpf	-
Z6152AV-WS1-L3	24" Rough In w/ 3" Push Button	1.6 gpf	-
AquaVantage® AV Concealed Flush Valve with Exposed Manual Push Button for Exposed 1-1/2" Top Spud Water Closet			
Z6153AV-ONE	24" Rough-In	1.1 gpf	-
Z6153AV-HET	24" Rough-In	1.28 gpf	-
Z6153AV-WS1	24" Rough-In	1.6 gpf	-
AquaVantage® AV Concealed Flush Valve with Exposed Manual Push Button for Exposed 1-1/2" Back Spud Water Closet			
Z6154AV-HET	24" Rough-In	1.28 gpf	-
Z6154AV-WS1	24" Rough-In	1.6 gpf	-
AquaVantage® AV Concealed Flush Valve with Exposed Manual Handle for 1-1/4" Back Spud Urinal			
Z6190AV-WS1	14 1/2" Rough-In	1.0 gpf	-
Z6190AV-WS1-L3	14 1/2" Rough-In w/ 3" Push Button	1.0 gpf	-
AquaVantage® AV Concealed Flush Valve with Exposed Manual Handle for 3/4" Back Spud Urinal			
Z6195AV-ULF	13 1/2" Rough In	0.125 gpf	-
Z6195AV-EWS	13 1/2" Rough In	0.5 gpf	-
Z6195AV-WS1	13 1/2" Rough In	1.0 gpf	-
AquaVantage® AV Concealed Flush Valve with Exposed Manual Handle for Exposed 3/4" Top Spud Urinal			
Z6197AV-ULF	18 1/2" Rough in	0.125 gpf	-
Z6197AV-EWS	18 1/2" Rough in	0.5 gpf	-
Z6197AV-WS1	18 1/2" Rough in	1.0 gpf	-



Z6140AV



Z6142AV



Z6143AV



Z6144AV



Z6150AV



Z6152AV

Aquaflush® Concealed Diaphragm Flush Valves

PRODUCT NO.	DESCRIPTION	FLOW RATE	UPC
Aquaflush® Concealed Flush Valve with Exposed Manual Handle for 10" Offset 1-1/2" Exposed Back Spud Water Closet			
Z6140-WS1-YB	14 1/2" Rough-In	1.6 gpf	-
Aquaflush® Concealed Flush Valve with Exposed Manual Handle for 10" Offset 1-1/2" Exposed Top Spud Water Closet			
Z6142-WS1-YB	12-1/2" Rough-In	1.6 gpf	-
Aquaflush® Concealed Flush Valve with Exposed Manual Handle for 10" Offset 1-1/2" Back Spud Water Closet			
Z6143-WS1-YB	14" Rough-In	1.6 gpf	-
Z6144-WS1-YB	10 1/2" Rough-In	1.6 gpf	-
Aquaflush® Concealed Flush Valve with Exposed Manual Push Button for Flushing Floor Drains			
Z6150-WS1-YB	w/ 1" NPT female outlet	1.6 gpf	-
Aquaflush® Concealed Flush Valve with Exposed Manual Push Button for 1-1/2" Back Spud Water Closet			
Z6152-WS1-YB	24" Rough In	1.6 gpf	-
Aquaflush® Concealed Flush Valve with Exposed Manual Push Button for Exposed 1-1/2" Top Spud Water Closet			
Z6153-WS1-YB	24" Rough-In	1.6 gpf	-
Aquaflush® Concealed Flush Valve with Exposed Manual Push Button for Exposed 1-1/2" Back Spud Water Closet			
Z6154-WS1-YB	24" Rough-In	1.6 gpf	-
Aquaflush® Concealed Flush Valve with Exposed Manual Handle for 1-1/4" Back Spud Urinal			
Z6190-WS1-YB	14 1/2" Rough-In	1.0 gpf	-
Aquaflush® Concealed Flush Valve with Exposed Manual Handle for 3/4" Back Spud Urinal			
Z6195-WS1-YB	13 1/2" Rough In	1.0 gpf	-
Aquaflush® Concealed Flush Valve with Exposed Manual Handle for Exposed 3/4" Top Spud Urinal			
Z6197-WS1-YB	18 1/2" Rough in	1.0 gpf	-



Z6154AV



Z6190AV



Z6195AV



Z6140



Z6190

EXPOSED MANUAL FLUSH VALVES

AquaVantage® AV Exposed Manual Diaphragm Flush Valves

PRODUCT NO.	DESCRIPTION	FLOW RATE	UPC
AquaVantage® AV Exposed Flush Valve for 1-1/2" Top Spud Water Closet			
Z6000AV-ONE	Standard 11 1/2" Rough-in	1.1 gpf	889934100495
Z6000AV-HET	Standard 11 1/2" Rough-in	1.28 gpf	670240364417
Z6000AV-HET-DF	w/ Dual Flush Handle	1.1/1.28 gpf	670240848412
Z6000AV-1-HET	16" Rough-In	1.28 gpf	670240456983
Z6000AV-2-HET	24" Rough-In	1.28 gpf	670240381544
Z6000AV-3-HET	27" Rough-In	1.28 gpf	670240382282
Z6000AV-HET-H	w/ Front Handle	1.28 gpf	670240490925
Z6000AV-HET-YG	w/ Extended bumper on control stop	1.28 gpf	670240387904
Z6000AV-WS1	Standard 11 1/2" Rough-in	1.6 gpf	670240576964
Z6000AV-WS1-DF	w/ Dual Flush Handle	1.1/1.6 gpf	670240654471
Z6000AV-1-WS1	16" Rough-In	1.6 gpf	670240546493
Z6000AV-2-WS1	24" Rough-In	1.6 gpf	670240532540
Z6000AV-3-WS1	27" Rough-In	1.6 gpf	670240532267
Z6000AV-WS1-H	w/ Front Handle	1.6 gpf	670240547698
Z6000AV-WS1-YG	w/ Extended bumper on control stop	1.6 gpf	670240580824
AquaVantage® AV Exposed Extended Flush Valve for 1-1/2" Top Spud Water Closet			
Z6011AV-WS1	26-1/2" Rough-In for Grab Bar	1.6 gpf	670240537170
Z6014AV-WS1	34-3/8" Rough-In	1.6 gpf	670240541238
AquaVantage® AV Exposed Flush Valve for 1-1/2" Back Spud Water Closets			
Z6010AV-HET	Standard 11 1/2" Rough-in	1.28 gpf	670240834941
Z6010AV-1-HET	16" Rough-In	1.28 gpf	-
Z6010AV-2-HET	24" Rough-In	1.28 gpf	670240965034
Z6010AV-WS1	Standard 11 1/2" Rough-in	1.6 gpf	670240547728
Z6010AV-WS1-DF	w/ Dual Flush Handle	1.1/1.6 gpf	-
Z6010AV-1-WS1	16" Rough-In	1.6 gpf	-
Z6010AV-2-WS1	24" Rough-In	1.6 gpf	-
AquaVantage® AV Exposed Flush Valve for 1-1/4" Top Spud Urinals			
Z6001AV-WS1	Standard 11 1/2" Rough-in	1.0 gpf	670240532755
Z6001AV-WS1-H	w/ Front Handle	1.0 gpf	670240370791



AquaVantage® AV Exposed Manual Diaphragm Flush Valves

PRODUCT NO.	DESCRIPTION	FLOW RATE	UPC
AquaVantage® AV Exposed Flush Valve for 3/4" Top Spud Urinals			
Z6003AV-ULF	Standard 11 1/2" Rough-in	0.125 gpf	670240382749
Z6003AV-EWS	Standard 11 1/2" Rough-in	0.5 gpf	670240632264
Z6003AV-WS1	Standard 11 1/2" Rough-in	1.0 gpf	670240577244
Z6003AV-WS1-H	w/ Front Handle	1.0 gpf	670240574564
Z6003AV-WS1-U	w/ 1 1/4" Flush Connection	1.0 gpf	670240648142
AquaVantage® AV Exposed Flush Valve with Trap Primer			
Z6000AV-WS1-TP	Standard 11 1/2" Rough-in	1.6 gpf	670240538245
Z6000AV-1-WS1-TP	16" Rough-In	1.6 gpf	670240602946
Z6000AV-2-WS1-TP	24" Rough-In	1.6 gpf	670240544369
Z6000AV-3-WS1-TP	27" Rough-In	1.6 gpf	-
AquaVantage® AV Trap Primer Assembly ONLY			
P6000-TPO	Standard 11 1/2" Rough-in		670240413184
P6000-1-TPO	16" Rough-In		670240414440
P6000-2-TPO	24" Rough-In		670240414358
	Less Fittings Deduct		
P6000-TPF	Fittings Only for -TP		670240448407
AquaVantage® AV Exposed Flush Valve for Flushing Floor Drains			
Z6099AV-WS1		1.6 gpf	670240551046



Z6003AV



Z6000AV-TP



P6000-TPO



Z6099AV

Aquaflush® Plus PL Exposed Manual Diaphragm Flush Valves

PRODUCT NO.	DESCRIPTION	FLOW RATE	UPC
Aquaflush® Plus PL Exposed Flush Valve for 1-1/2" Top Spud Water Closets			
Z6000PL-ONE	Standard 11 1/2" Rough-in	1.1 gpf	889934109733
Z6000PL-HET	Standard 11 1/2" Rough-in	1.28 gpf	670240382008
Z6000PL-1-HET	16" Rough-In	1.28 gpf	670240807679
Z6000PL-2-HET	24" Rough-In	1.28	670240388079
Z6000PL-3-HET	27" Rough-In	1.28 gpf	670240484870
Z6000PL-WS1	Standard 11 1/2" Rough-in	1.6 gpf	670240552852
Z6000PL-WS1-DF	w/ Dual Flush Handle	1.1/1.6 gpf	670240403291
Z6000PL-1-WS1	16" Rough-In	1.6 gpf	670240642096
Z6000PL-2-WS1	24" Rough-In	1.6 gpf	670240574045
Z6000PL-3-WS1	27" Rough-In	1.6 gpf	670240393127
Aquaflush® Plus PL Exposed Flush Valve for 1-1/2" Back Spud Water Closets			
Z6010PL-HET	Standard 11 1/2" Rough-in	1.28 gpf	670240847941
Z6010PL-WS1	Standard 11 1/2" Rough-in	1.6 gpf	670240244993
Aquaflush® Plus PL Exposed Flush Valve for 1-1/4" Top Spud Urinals			
Z6001PL-WS1	Standard 11 1/2" Rough-in	1.0 gpf	670240606944
Aquaflush® Plus PL Exposed Flush Valve for 3/4" Top Spud Urinals			
Z6003PL-EWS	Standard 11 1/2" Rough-in	.5 gpf	670240422902
Z6003PL-WS1	Standard 11 1/2" Rough-in	1.0 gpf	670240552845
Z6003PL-ULF	Standard 11 1/2" Rough-in	.125 gpf	670240459007
Aquaflush® Plus PL Exposed Flush Valve with Trap Primer			
Z6000PL-WS1-TP	w/ Trap Primer	1.6 gpf	670240638266
Z6000PL-WS1-TP-YK	w/ Trap Primer and Solid Ring Pipe Support	1.6 gpf	670240788671



Z6000PL-HET



Z6010PL-WS1



Z6001PL-WS1



Z6003PL-WS1



Z6000PL-WS1-TP

Aquaflush® Exposed Manual Diaphragm Flush Valves

PRODUCT NO.	DESCRIPTION	FLOW RATE	UPC
Aquaflush® Exposed Flush Valve for 1-1/2" Top Spud Water Closets			
Z6000-WS1-YB-YC	Standard 11 1/2" Rough-in	1.6 gpf	670240410602
Z6000-1-WS1-YB-YC	16" Rough-In	1.6 gpf	670240420410
Z6000-2-WS1-YB-YC	24" Rough-In	1.6 gpf	670240421653
Z6000-3-WS1-YB-YC	27" Rough-In	1.6 gpf	670240422988
Aquaflush® Exposed Extended Flush Valve for 1-1/2" Top Spud Water Closets			
Z6014-YB-YC	34-3/8" Rough-In	3.5 gpf	670240428805
Aquaflush® Exposed Flush Valve for 1-1/2" Back Spud Water Closets			
Z6010-WS1-YB-YC	Standard 11 1/2" Rough-in	1.6 gpf	670240427365
Z6010-2-WS1-YB-YC	24" Rough-In	1.6 gpf	670240426856
Aquaflush® Exposed Flush Valve for 1-1/4" Top Spud Urinal			
Z6001-WS1-YB-YC	Standard 11 1/2" Rough-in	1.0 gpf	670240416574
Aquaflush® Exposed Flush Valve for 3/4" Top Spud Urinal			
Z6003-EWS-YB-YC	Standard 11 1/2" Rough-in	.5 gpf	670240396975
Z6003-WS1-YB-YC	Standard 11 1/2" Rough-in	1.0 gpf	670240410688
Aquaflush® Flush Valve with Trap Primer			
Z6000-WS1-TP-YB-YC	Standard 11 1/2" Rough-in		670240421028
Z6000-1-WS1-TP-YB-YC	16" Rough-In		-
Z6000-2-WS1-TP-YB-YC	24" Rough-In	1.6 gpf	670240242210

Metroflush® Exposed Piston Flush Valves

PRODUCT NO.	DESCRIPTION	FLOW RATE	UPC
Metroflush® Exposed Flush Valve for 1-1/2" Top Spud Water Closets			
Z6200-HET-YB-YC	Standard 11 1/2" Rough-in	1.28 gpf	670240457102
Z6200-1-HET-YB-YC	16" Rough-In	1.28 gpf	670240816343
Z6200-2-HET-YB-YC	24" Rough-In	1.28 gpf	670240688018
Z6200-WS1-YB-YC	Standard 11 1/2" Rough-in	1.6 gpf	670240528741
Z6200-1-WS1-YB-YC	16" Rough-In	1.6 gpf	670240654501
Z6200-2-WS1-YB-YC	24" Rough-In	1.6 gpf	670240390355
Metroflush® Plus Exposed Flush Valve for 1-1/2" Top Spud Water Closets			
Z6200PL-HET	Standard 11 1/2" Rough-in	1.28 gpf	670240337053
Z6200PL-WS1	Standard 11 1/2" Rough-in	1.6 gpf	670240022461
Metroflush® Exposed Flush Valve for 3/4" Top Spud Urinal			
Z6203-EWS-YB-YC	Standard 11 1/2" Rough-in	.5 gpf	670240355668
Z6203-WS1-YB-YC	Standard 11 1/2" Rough-in	1.0 gpf	670240565005
Z6203-ULF-YB-YC	Standard 11 1/2" Rough-in	0.125 gpf	-
Metroflush® Plus Exposed Flush Valve for 3/4" Top Spud Urinal			
Z6203PL-EWS	Standard 11 1/2" Rough-in	.5 gpf	670240690622
Z6203PL-WS1	Standard 11 1/2" Rough-in	1.0 gpf	670240923751
Z6203PL-ULF	Standard 11 1/2" Rough-in	0.125 gpf	-



Z6000



Z6001



Z6003



Z6200-HET-YB-YC



Z6203-WS1-YB-YC

EXPOSED MANUAL DIAPHRAGM FLUSH VALVES WITH BEDPAN DIVERTER

AquaVantage® AV Exposed Manual Diaphragm Flush Valves with Bedpan Diverter Valve

PRODUCT NO.	DESCRIPTION	FLOW RATE	UPC
AquaVantage® AV Exposed Flush Valve with Bedpan Diverter Valve for 1-1/2" Top Spud Water Closet			
Z6000AV-HET-BWN	26-1/2" Rough-In - for Rough-In Without Grab Bar	1.28 gpf	670240383241
Z6000AV-WS1-BWN	26-1/2" Rough-In - for Rough-In Without Grab Bar	1.6 gpf	670240585843
AquaVantage® AV Exposed Retrofit Flush Valve with Bedpan Diverter Valve for 1-1/2" Top Spud Water Closet			
Z6010AV-HET-BWN	26-1/2" Rough-In - for Retrofitting an Existing Flush Valve with a Bedpan Diverter	1.28 gpf	-
Z6010AV-WS1-BWN	26-1/2" Rough-In - for Retrofitting an Existing Flush Valve with a Bedpan Diverter	1.6 gpf	670240626294
AquaVantage® AV Exposed Flush Valve with Bedpan Diverter Valve for 1-1/2" Top Spud Water Closet - for Handicap Grab Bar Applications			
Z6011AV-HET-BWN	26-1/2" Rough-In - for Handicap Grab Bar Applications	1.28 gpf	670240386495
Z6011AV-WS1-BWN	26-1/2" Rough-In - for Handicap Grab Bar Applications	1.6 gpf	670240599666
AquaVantage® AV Concealed Flush Valve with Bedpan Diverter Valve for 1-1/2" Top Spud Water Closet			
Z6020AV-WS1-BWN		1.6 gpf	-
AquaVantage® AV Exposed Flush Valve with Hydraulic Actuator and Bedpan Diverter for 1-1/2" Top Spud Water Closet			
ZH6000AV-HET-BWN	26-1/2" Rough-In		-
ZH6011AV-WS1-BWN	for Grab Bar	1.6 gpf	-



Z6000AV-BWN



Z6010AV-BWN



Z6011AV-BWN



Z6020AV-BWN



ZH6000AV-BWN

Aquaflush® Plus PL Exposed Manual Diaphragm Flush Valves with Bedpan Diverter Valve

PRODUCT NO.	DESCRIPTION	FLOW RATE	UPC
Aquaflush® Plus PL Exposed Flush Valve with Bedpan Diverter Valve			
Z6000PL-HET-BWN	26-1/2" Rough-In	1.28 gpf	670240796768
Z6000PL-WS1-BWN	26-1/2" Rough-In	1.6 gpf	670240641174

Aquaflush® Exposed Manual Diaphragm Flush Valves with Bedpan Diverter Valve

PRODUCT NO.	DESCRIPTION	FLOW RATE	UPC
Aquaflush® Exposed Flush Valve with Bedpan Washer for 1-1/2" Top Spud Water Closet			
Z6000-WS1-BWN-YB-YC	26-1/2" Rough-In	1.6 gpf	670240600263
Aquaflush® Exposed Retrofit Flush Valve with Bedpan Washer for 1-1/2" Top Spud Water Closet			
Z6010-WS1-BWN-YB-YC	26-1/2" Rough-In - for Retrofitting an Existing Flush Valve with a Bedpan Diverter	1.6 gpf	-
Aquaflush® Exposed Flush Valve with Bedpan Washer for 1-1/2" Top Spud Water Closet - for Handicap Grab Bar Applications			
Z6011-WS1-BWN-YB-YC	26-1/2" Rough-In - for Handicap Grab Bar Applications	1.6 gpf	670240602311
Aquaflush® Exposed Bedpan Diverter Less Flush Valve			
Z6000-DVN	26-1/2" Rough-In	-	670240597440
Z6000-DVN1	34-3/8" Rough-In	-	670240597778
Z6000-DVN-020	26-1/2" Rough-In Diverter with 2" Offset	-	670240608887
Z6000-DN	Diverter Assembly with Spray Arm. No top or bottom tubes.	-	670240608900
Aquaflush® Exposed Retrofit Bedpan Diverter Less Flush Valve			
Z6010-DVN	26-1/2" Rough-In - for Retrofitting an Existing Flush Valve with a Bedpan Diverter	-	670240596818
Z6010-DVN1	34-3/8" Rough-In - for Retrofitting an Existing Flush Valve with a Bedpan Diverter	-	670240659391
Aquaflush® Exposed Bedpan Diverter Less Flush Valve - for Handicap Grab Bar Applications			
Z6011-DVN	26-1/2" Rough-In - for Handicap Grab Bar Applications	-	670240601819



Z6000-DVN

Z6010-DVN

Z6011-DVN

EXPOSED CLINIC AND SERVICE SINK FLUSH VALVES

Exposed Manual Diaphragm Flush Valves for Clinic and Service Sinks

PRODUCT NO.	DESCRIPTION	FLOW RATE	UPC
AquaVantage® AV Exposed Flush Valve for Clinic and Service Sinks			
Z6017AV	Standard 24" Rough In	6.5 gpf	670240545557
Z6017AV-H	w/ Front Handle	6.5 gpf	670240548558
Z6017AV-H-010	w/ Front Handle and 1" Offset	6.5 gpf	670240550742
Z6017AV-H-020	w/ Front Handle and 2" Offset	6.5 gpf	670240549371
Z6017AV-010	w/ 1" Offset	6.5 gpf	670240563919
Z6017AV-020	w/ 2" Offset	6.5 gpf	670240548763
Aquaflush® Plus Exposed Flush Valve for Clinic and Service Sinks			
Z6017PL	Standard 24" Rough In	6.5 gpf	670240564343
Z6017PL-H	w/ Front Handle	6.5 gpf	670240632288
Z6017PL-H-010	w/ Front Handle and 1" Offset	6.5 gpf	670240649378
Z6017PL-H-020	w/ Front Handle and 2" Offset	6.5 gpf	670240177215



Z6017AV

HYDRAULIC FLUSH VALVES

AquaVantage® AV Exposed ZH Hydraulic Actuation Diaphragm Flush Valves

PRODUCT NO.	DESCRIPTION	FLOW RATE	UPC
AquaVantage® AV Exposed ZH Hydraulic Actuation Flush Valve for 1-1/2" Top Spud Water Closet			
ZH6000AV-WS1	Standard 11 1/2" Rough In	1.6 gpf	670240536296
AquaVantage® AV Exposed ZH Hydraulic Actuation Dual Flush Valve for 1-1/2" Top Spud Water Closet			
ZH6000AV-DF-WS1	Standard 11 1/2" Rough In	1.1/1.6 gpf	-
AquaVantage® AV Exposed ZH Hydraulic Actuation Flush Valve for 1-1/2" Back Spud Water Closet			
ZH6010AV-WS1	Standard 11 1/2" Rough In	1.6 gpf	670240260467
AquaVantage® AV Exposed ZH Hydraulic Actuation Flush Valve for 1-1/2" Clinic and Service Sinks			
ZH6017AV-WS1	24" Rough-In	6.5 gpf	-
AquaVantage® AV Exposed ZH Hydraulic Actuation Flush Valve with Bedpan Diverter Valve for 1-1/2" Top Spud Water Closet			
ZH6000AV-BWN-WS1	26-1/2" Rough-In	1.6 gpf	-
AquaVantage® AV Exposed ZH Hydraulic Actuation Flush Valve with Bedpan Diverter Valve for 1-1/2" Top Spud Water Closet - for Handicap Grab Bar Applications			
ZH6011AV-BWN-WS1	26-1/2" Rough-In	1.6 gpf	-
AquaVantage® AV Exposed ZH Hydraulic Actuation Flush Valve for 1-1/4" Top Spud Urinal			
ZH6001AV-WS1	Standard 11 1/2" Rough In	1.0 gpf	670240405202
AquaVantage® AV Exposed ZH Hydraulic Actuation Flush Valve for 3/4" Top Spud Urinal			
ZH6003AV-ULF	Standard 11 1/2" Rough In	0.125 gpf	889934108095
ZH6003AV-EWS	Standard 11 1/2" Rough In	0.5 gpf	-
ZH6003AV-WS1	Standard 11 1/2" Rough In	1.0 gpf	670240565791



ZH6000AV

AquaVantage® AV Concealed ZH Hydraulic Actuation Diaphragm Flush Valves

PRODUCT NO.	DESCRIPTION	FLOW RATE	UPC
AquaVantage® AV Concealed Hydraulic Flush Valve with Exposed Manual Button for 1-1/2" Exposed Back Spud Water Closet			
ZH6140AV-HET	14 1/2" Rough-In	1.28 gpf	-
ZH6140AV-WS1	14 1/2" Rough-In	1.6 gpf	-
AquaVantage® AV Concealed Hydraulic Flush Valve with Exposed Manual Button for 1-1/2" Exposed Top Spud Water Closet			
ZH6142AV-HET	14" Rough in	1.28 gpf	-
ZH6142AV-WS1	14" Rough in	1.6 gpf	-
AquaVantage® AV Concealed Hydraulic Flush Valve with Exposed Manual Button for Flushing Floor Drains			
ZH6150AV-HET	w/ 1" NPT Female Outlet	1.28 gpf	-
ZH6150AV-WS1	w/ 1" NPT Female Outlet	1.6 gpf	670240533455
AquaVantage® AV Concealed Hydraulic Flush Valve with Exposed Manual Button for 1-1/2" Back Spud Water Closet			
ZH6152AV-HET	14 1/2" Rough-In	1.28 gpf	-
ZH6152AV-WS1	14 1/2" Rough-In	1.6 gpf	-
AquaVantage® AV Concealed Hydraulic Actuation Flush Valve with Exposed Manual Button for 1-1/4" Back Spud Urinal			
ZH6190AV-WS1	14 1/2" Rough In	1.0 gpf	-
AquaVantage® AV Concealed Hydraulic Actuation Flush Valve with Exposed Manual Button for 3/4" Back Spud Urinal			
ZH6195AV-ULF	13 1/2" Rough in	0.125 gpf	-
ZH6195AV-EWS	13 1/2" Rough in	0.5 gpf	-
ZH6195AV-WS1	13 1/2" Rough in	1.0 gpf	-
AquaVantage® AV Concealed Hydraulic Actuation Flush Valve with Exposed Manual Button for Exposed 3/4" Top Spud Urinal			
ZH6197AV-ULF	18 1/2" Rough in	0.125 gpf	-
ZH6197AV-EWS	18 1/2" Rough in	0.5 gpf	670240958166
ZH6197AV-WS1	18 1/2" Rough in	1.0 gpf	670240362581

Aquaflush® Plus PL Exposed ZH Hydraulic Actuation Diaphragm Flush Valves

PRODUCT NO.	DESCRIPTION	FLOW RATE	UPC
Aquaflush® Plus PL Exposed ZH Hydraulic Actuation Flush Valve for 1-1/2" Top Spud Water Closets			
ZH6000PL-HET	Standard 11 1/2" Rough In	1.28 gpf	-
ZH6000PL-WS1	Standard 11 1/2" Rough In	1.6 gpf	670240794214
Aquaflush® Plus PL Exposed ZH Hydraulic Actuation Flush Valve for Flushing Floor Drains			
ZH6150PL-WS1	w/ 1" NPT Female Outlet	1.6 gpf	670240801912
Aquaflush® Plus PL Exposed ZH Hydraulic Actuation Flush Valve for 1-1/4" Top Spud Urinals			
ZH6001PL-WS1	Standard 11 1/2" Rough In	1.0 gpf	-
Aquaflush® Plus PL Exposed ZH Hydraulic Actuation Valve for 3/4" Top Spud Urinals			
ZH6003PL-EWS	Standard 11 1/2" Rough In	0.5 gpf	889934155747
ZH6003PL-ULF	Standard 11 1/2" Rough In	0.125 gpf	-
ZH6003PL-WS1	Standard 11 1/2" Rough In	1.0 gpf	-



ZH6140AV



ZH6000PL-WS1

Aquaflush® Exposed ZH Hydraulic Actuation Diaphragm Flush Valves

PRODUCT NO.	DESCRIPTION	FLOW RATE	UPC
Aquaflush® Exposed ZH Hydraulic Actuation Flush Valve for 1-1/2" Top Spud Water Closets			
ZH6000-WS1-YB-YC	Standard 11 1/2" Rough In	1.6 gpf	670240485914
Aquaflush® Exposed ZH Hydraulic Actuation Flush Valve for 3/4" Top Spud Urinal			
ZH6003-WS1-YB-YC	Standard 11 1/2" Rough In	1.0 gpf	670240496200
Aquaflush® Exposed ZH Hydraulic Actuation Flush Valve with Bedpan Diverter Valve for 1-1/2" Top Spud Water Closet			
ZH6000-BWN-YB-YC	26-1/2" Rough-In	3.5 gpf	-
Aquaflush® Exposed ZH Hydraulic Actuation Flush Valve with Bedpan Diverter Valve for 1-1/2" Top Spud Water Closet - for Handicap Grab Bar Applications			
ZH6011-BWN-YB-YC	26-1/2" Rough-In	3.5 gpf	-

Aquaflush® Concealed ZH Hydraulic Actuation Diaphragm Flush Valves

PRODUCT NO.	DESCRIPTION	FLOW RATE	UPC
Aquaflush® Concealed Hydraulic Flush Valve with Exposed Manual Button for 1-1/2" Exposed Back Spud Water Closet			
ZH6140-WS1-YB	14 1/2" Rough-In	1.6 gpf	-
Aquaflush® Concealed Hydraulic Flush Valve with Exposed Manual Button for 1-1/2" Exposed Top Spud Water Closet			
ZH6142-WS1-YB	14" Rough in	1.6 gpf	-
Aquaflush® Concealed Hydraulic Flush Valve with Exposed Manual Button for Flushing Floor Drains			
ZH6150-WS1-YB	w/ 1" NPT Female Outlet	1.6 gpf	670240619791
Aquaflush® Concealed Hydraulic Flush Valve with Exposed Manual Button for 1-1/2" Back Spud Water Closet			
ZH6152-WS1-YB	14 1/2" Rough-In	1.6 gpf	-
Aquaflush® Concealed Hydraulic Actuation Flush Valve with Exposed Manual Button for 1-1/4" Back Spud Urinal			
ZH6190-WS1-YB	14 1/2" Rough In	1.0 gpf	-
Aquaflush® Concealed Hydraulic Actuation Flush Valve with Exposed Manual Button for 3/4" Back Spud Urinal			
ZH6195-WS1-YB	13 1/2" Rough in	1.0 gpf	-
Aquaflush® Concealed Hydraulic Actuation Flush Valve with Exposed Manual Button for Exposed 3/4" Top Spud Urinal			
ZH6197-WS1-YB	18 1/2" Rough in	1.0 gpf	-

Options for Hydraulic Actuation

SUFFIX	DESCRIPTION
-SW	Side Wall
-MB	Metal Button
-MBP	Metal Button Penal
	Optional ZP-50 Wall Plate for Push Button



ZH6140AV

PRISON FLUSH VALVES

Ordering Instructions for Concealed and Prison Flush Valve

When ordering concealed flush valve, 'L' Dim. must be specified.

- 'L' Dim. equals 2-3/4" plus thickness of wall. Note: for combination lavatory/closet fixtures, add one more inch to wall thickness.
- Penal flush Valve are furnished with -L small vandal-resistant push button as standard.
- For hydraulic application, specify prefix ZH and refer to the Hydraulic section of this price sheet.
- If flush valve are to be used with access panels, order must be noted using Suffix AP after model number. See Z6199 Access Panels for size and price.
- For concealed flush valve, specify -J (handle), -L (small push button), -L3 (3" large push button).
- For 'L' Dim. longer than 12-3/4", add \$9.26 per inch."

AquaVantage® AV Prison Flush Valves

PRODUCT NO.	DESCRIPTION	FLOW RATE	UPC
AquaVantage® AV Concealed Flush Valve for Combination Lavatory/Closet Penal Fixtures			
Z6601AV-WS1	20-1/2" Rough-in	1.6 gpf	-
Z6603AV-WS1	16" Rough-in	1.6 gpf	-
AquaVantage® AV Exposed Flush Valve for Penal Water Closet Fixtures			
Z6606AV-WS1	Standard 11 1/2" Rough In	1.6 gpf	670240534728
AquaVantage® AV Concealed Flush Valve for Penal Water Closet Fixtures			
Z6611AV-WS1	24" Rough In	1.6 gpf	-
AquaVantage® AV Concealed Flush Valve for Detox Drain			
Z6681AV-WS1	26" Rough-in	1.6 gpf	-
AquaVantage® AV Concealed Flush Valve for Detox Drain with Threaded Down Pipe			
Z6621AV-WS1	w/ 1" NPT Female Outlet	1.6 gpf	-
AquaVantage® AV Concealed Flush Valve for 1-1/4" Back Spud Penal Urinal Fixtures			
Z6609AV-WS1	13" Rough In	1.0 gpf	-
AquaVantage® AV Concealed Flush Valve for 3/4" Back Spud Penal Urinal Fixtures			
Z6613AV-WS1	13" Rough In	1.0 gpf	-
AquaVantage® AV Exposed Flush Valve for 3/4" Top Spud Penal Urinal Fixtures			
Z6614AV-WS1	Standard 11 1/2" Rough In	1.0 gpf	-

AquaVantage® AV ZH Hydraulic Actuation Prison Flush Valves

Note: MBP (metal button penal) is standard for prison flush valves.

PRODUCT NO.	DESCRIPTION	FLOW RATE	UPC
AquaVantage® AV Concealed ZH Hydraulic Actuation Flush Valve for Combination Lavatory/Closet Penal Fixtures			
ZH6603AV-WS1-MBP	16" Rough-in	1.6 gpf	-
AquaVantage® AV Exposed ZH Hydraulic Actuation Flush Valve for Penal Water Closet Fixtures			
ZH6606AV-WS1-MBP	Standard 11 1/2" Rough In	1.6 gpf	670240573826
AquaVantage® AV Concealed ZH Hydraulic Actuation Flush Valve for Penal Water Closet Fixtures			
ZH6609AV-WS1-MBP	13" Rough In	1.6 gpf	-
ZH6611AV-WS1-MBP	16" Rough-in	1.6 gpf	-
AquaVantage® AV Concealed ZH Hydraulic Actuation Flush Valve for 3/4" Back Spud Penal Urinal Fixtures			
ZH6613AV-WS1-MBP	13" Rough In	1.0 gpf	-
ZH Hydraulic Actuation			
PH6000-HYLP-MBP	Actuator Only		670240419063



Z6611AV



ZH6603AV-MBP

AquaFlush® Prison Flush Valves

PRODUCT NO.	DESCRIPTION	FLOW RATE	UPC
Aquaflush® Concealed Flush Valve for Combination Lavatory/Closet Penal Fixtures			
Z6601-WS1-YB	20-1/2" Rough-in	1.6 gpf	-
Z6603-WS1-YB	16" Rough-in	1.6 gpf	-
Aquaflush® Exposed Flush Valve for Penal Water Closet Fixtures			
Z6611-WS1-YB	24" Rough In	1.6 gpf	-
Aquaflush® Concealed Flush Valve for Prison Urinal Fixtures			
Z6609-WS1-YB	13" Rough In	1.0 gpf	-
Z6613-WS1-YB	13" Rough In	1.0 gpf	-

AquaFlush® ZH Hydraulic Actuation Prison Flush Valves

PRODUCT NO.	DESCRIPTION	FLOW RATE	UPC
Aquaflush® Concealed ZH Hydraulic Actuation Flush Valve for Combination Lavatory/Closet Penal Fixtures			
ZH6603-WS1-MBP-YB	16" Rough-in	1.6 gpf	-
Aquaflush® Concealed ZH Hydraulic Actuation Flush Valve for Penal Water Closet Fixtures			
ZH6611-WS1-MBP-YB	16" Rough-in	1.6 gpf	-
Aquaflush® Concealed ZH Hydraulic Actuation Flush Valve for Prison Urinal Fixtures			
ZH6609-WS1-MBP-YB	13" Rough In	1.0 gpf	-
ZH6613-WS1-MBP-YB	13" Rough In	1.0 gpf	-



Z6601



Z6609



ZH6611AV

FLUSH VALVES FOR EASTERN STYLE WATER CLOSETS

Standard flush is 3.5 gallons. Specify -WS1 for 1.6 gallon.

PRODUCT NO.	DESCRIPTION	FLOW RATE	UPC
AquaVantage® AV Concealed Flush Valves for Eastern Style Water Closets			
Z6196AV-WS1	3-3/4" - 12-3/4" 'L' Dim.		-
Zurn Metroflush® Exposed Flush Valves for Eastern Style Water Closets			
Z6296-WS1		1.6 gpf	-
Z6296-WA-WS1		1.6 gpf	-

ACCESS PANELS

Satin finish, stainless steel with vandal-proof screws.

PRODUCT NO.	DESCRIPTION	FLOW RATE	UPC
Access Panels for Concealed Manual Flush Valves - For use with all Z61xx, ZH61xx series flush valves			
Z6199-BX12	12" x 12"		670240434042
Z6199-BX17	13" x 17"		670240446021
Solid Access Panels (No Hole)			
Z6199-BX12-NH	12" x 12"		670240521742
Z6199-BX17-NH	13" x 17"		670240536272
Access Panels for Concealed ZEMS Sensor Flush Valves - Closet			
ZEMS6199-BX12-C	12" x 12"		889934065268
ZEMS6199-BX17-C	13" x 17"		889934065305
Access Panels for Concealed ZEMS Sensor Flush Valves - Urinal			
ZEMS6199-BX12-U	12" x 12"		889934065275
ZEMS6199-BX17-U	13" x 17"		889934065312
Access Panels for Concealed ZER Sensor Flush Valves			
ZERK6199-BX12	12" x 12"		670240586277
ZER6199-BX17	13" x 17"		670240617483
Access Panel Accessories			
P6199-SC-1	1" Long Vandal-Proof Screws		670240433519
P6199-SC-2	2" Long Vandal-Proof Screws		670240504684



Z6196AV



Z6199-BX12



ZEMS6199-BX

RETROFIT X-BODIES - EXPOSED AND CONCEALED

For Zurn and Royal/Regal Installations -X Body = Flush valve body with internals kit, less control stop and flush connection. Sensor -X bodies do not include sensor unit or component parts.

PRODUCT NO.	DESCRIPTION	FLOW RATE	UPC
AquaVantage® AV Exposed Retrofit X-Bodies for 1-1/2" Spud Water Closet			
Z6000AV-HET-X		1.28 gpf	670240366428
Z6000AV-WS1-X		1.6 gpf	670240532809
AquaVantage® AV Concealed Retrofit X-Bodies for 1-1/2" Spud Water Closet			
Z6100AV-HET-X		1.28 gpf	670240388161
Z6100AV-WS1-X		1.6 gpf	670240549517
AquaVantage® AV Exposed ZH Hydraulic Actuation Retrofit X-Bodies for 1-1/2" Spud Water Closet			
ZH6000AV-WS1-X		1.6 gpf	670240703872
AquaVantage® AV Concealed ZH Hydraulic Actuation Retrofit X-Bodies for 1-1/2" Spud Water Closet			
ZH6100AV-WS1-X		1.6 gpf	670240621404
AquaVantage® AV Exposed ZEMS Integral Sensor Actuation Retrofit X-Bodies for 1-1/2" Spud Water Closet			
ZEMS6000AV-HET-IS-X		1.28 gpf	-
ZEMS6000AV-WS1-IS-X		1.6 gpf	670240627635
AquaVantage® AV Exposed ZEMS In Wall Sensor Actuation Retrofit X-Bodies for 1-1/2" Spud Water Closet			
ZEMS6000AV-HET-X		1.28 gpf	670240491762
ZEMS6000AV-WS1-X		1.6 gpf	670240607804
AquaVantage® AV Concealed ZEMS In Wall Sensor Actuation Retrofit X-Bodies for 1-1/2" Spud Water Closet			
ZEMS6100AV-HET-X		1.28 gpf	-
ZEMS6100AV-WS1-X		1.6 gpf	670240621787
AquaVantage® AV Exposed Retrofit X-Bodies for 1-1/4" Spud Urinal			
Z6001AV-WS1-X		1.0 gpf	670240665613
AquaVantage® AV Exposed Retrofit X-Bodies for 3/4" Spud Urinal			
Z6003AV-ULF-X		0.125 gpf	670240384552
Z6003AV-EWS-X		0.5 gpf	670240809369
Z6003AV-WS1-X		1.0 gpf	670240542082
AquaVantage® AV Exposed ZH Hydraulic Actuation Retrofit X-Bodies for 3/4" Spud Urinal			
ZH6003AV-ULF-X		0.125 gpf	-
ZH6003AV-EWS-X		0.5 gpf	-
ZH6003AV-WS1-X		1.0 gpf	-
AquaVantage® AV Exposed ZEMS Integral Sensor Actuation Retrofit X-Bodies for 1-1/4" Spud Urinal			
ZEMS6001AV-WS1-IS-X		1.0 gpf	-
AquaVantage® AV Exposed ZEMS Integral Sensor Actuation Retrofit X-Bodies for 3/4" Spud Urinal			
ZEMS6003AV-ULF-IS-X		0.125 gpf	-
ZEMS6003AV-EWS-IS-X		0.5 gpf	-
ZEMS6003AV-WS1-IS-X		1.0 gpf	670240847958
RETROFIT X-BODIES OPTIONS	DESCRIPTION		
P6000-J10	To retrofit to ground joint control stop, use appropriate Z-X body and P6000-J10 ground joint adapter.		

FLUSH VALVES

FAUCETS

TEMP-GARD®

TUBULAR BRASS

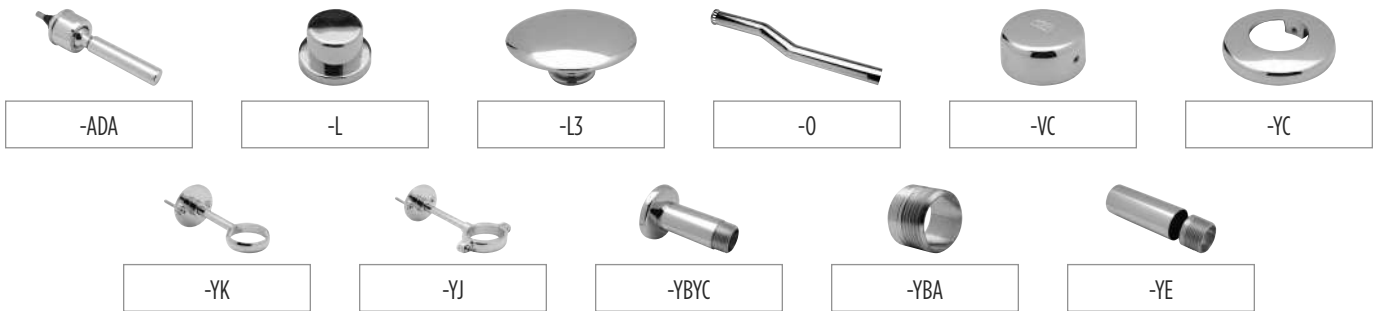
FIXTURES

AQUAPARTS® REPAIR PARTS AND ASSEMBLIES

ACCESSORIES/VARIATIONS

SUFFIX	DESCRIPTION
-ADA	Handicap Handle Flush Valve
-BG	BioCare Handle
-DF	Dual Flush Handle
-EWS	0.5 gpf Flush
-H	Handle/Front Operation Exposed Flush Valve
-HET	High Efficiency Toilet 1.28 gpf Water Closet
-HL	Small Push Button
-J	Oscillating Handle
-K	Wheel Handle Stop - CP
-N	Top Spud Connection for Concealed Valve
-O10	1" Offset Flush Connection
-O15	1-1/2" Offset Flush Connection
-O20	2" Offset Flush Connection
-ONE	1.1 gpf Water Closet
-ULF	Ultra Low Flush 0.125 gpf Urinal

SUFFIX	DESCRIPTION
-VC	Vandal-Resistant Control Stop Cover
-WS	Water Saving Flush - 3.5 Gal. Closet; 1.5 Gal. Urinal
-WS1	Low Consumption Flush 1.6 Gal. Closet; 1.0 Gal. Urinal
-YB	Sweat Solder Kit - Exposed (Each)
-YBA	Sweat Solder Kit - Concealed (Each)
-YC	Cast Wall Flange (Each)
-YE	Cover Tube and Adapter for -YB Kit
-YG	Extended Bumper on Control Stop
-YJ	Split Ring Pipe Support - 5" C to E
-YJ8	Split Ring Pipe Support - 8" C to E
-YJ12	Split Ring Pipe Support - 12" C to E
-YK	Solid Ring Pipe Support - 5" C to E
-YK8	Solid Ring Pipe Support - 8" C to E
-YK12	Solid Ring Pipe Support - 12" C to E



SPECIALTY ITEMS

PRODUCT NO./SUFFIX	DESCRIPTION
	'L' Dimension Over 12-3/4"
	Inlet Tail Longer Than 2-1/16 Std.
	Outlet Longer Than Standard
	17-Gage Outlet
P6000-YB-CVR7	1" x 6" Cover Tubing
P6003-YB-CVR7	3/4" x 6" Cover Tubing
	Cover Tubing Over 7" Long
P6000-YB-CVR36	1" x 36" Cover Tubing
P6003-YB-CVR36	3/4" x 36" Cover Tubing
-Z	Exposed Flush Valve Body and Control Stop Less Flush Connection
-Y	Exposed Flush Valve Body and Flush Connection Less Control Stop, Suffix
-TP	Fittings Only for Flush Tube
P6000-J10	Ground Joint Adapter
-VC	Vandal-Proof Wrench for Cover

ZURN® AQUAVANTAGE® AV FLUSH VALVE CROSS REFERENCE

Zurn provides this information for general cross reference purposes only. Zurn makes no representations regarding the quality, comparability, or compatibility of any competitor products listed. All information is subject to change without notice.

Exposed Flush Valves	
Zurn AquaVantage®	Sloan Royal®†
Z6000AV	Royal 110
Z6000AV-WS1	Royal 111
Z6000AV-1	Royal 113
Z6014AV	Royal 114
Z6000AV-2	Royal 115
Z6000AV-3	Royal 116
Z6017AV	Royal 117
Z6010AV	Royal 120
Z6010AV-1	Royal 121
Z6010AV-2	Royal 122
Z6099AV	110-YC-RM14266
Z6001AV	Royal 180
Z6001AV-WS1	Royal 180-1
Z6081AV	Royal 181
Z6003AV	Royal 186
Z6003AV-WS1	Royal 186-1
Z6087AV	Royal 187
Z6089AV	Royal 189

Concealed Flush Valves	
Zurn AquaVantage®	Sloan Royal®
Z6140AV	Royal 140
Z6142AV	Royal 142
Z6143AV	Royal 143
Z6144AV	Royal 144
Z6150AV	Royal 150
Z6152AV	Royal 152
Z6153AV	Royal 153
Z6154AV	Royal 154
Z6199-BX12	Royal B/P-24508
Z6190AV	Royal 190
Z6192AV	Royal 192
Z6192AV	Royal 6192
Z6195AV	Royal 195
Z6195AV-20	Royal 195-11
Z6197AV	Royal 197

Hydraulic Flush Valves	
Zurn AquaVantage®	Sloan Royal®
ZH6000AV	Royal 910
ZH6017AV	Royal 917
ZH6010AV	Royal 920
ZH6000AV-BWN	Royal 9000
ZH6001AV	Royal 980
ZH6003AV	Royal 986
ZH6003AV-20	Royal 986-11
ZH6140AV	Royal 940
ZH6142AV	Royal 942
ZH6150AV	Royal 950
ZH6152AV	Royal 952
ZH6190AV	Royal 990
ZH6195AV	Royal 995
ZH6195AV-11	Royal 995-11

Bedpan Washers	
Zurn AquaVantage®	Sloan Royal®
Z6000AV-BWN	Royal BPW-1100
Z6010AV-BWN	Royal BPW-1110
Z6011AV-BWN	Royal BPW-1150
Z6020AV-BWN	Royal BPW-1020
Z6000AV-TP	110-VBF-72-A1-9-1/2
Z6000AV-1-TP	110-VBF-72-A1-13-1/2

Bedpan Washers with Deoseptic Bottle	
Zurn AquaVantage®	Sloan Royal®
Z6000-DVNID	DV 105
Z6010-DVNID	DV 105R
Z6010-DVND	DV 115R
Z6011-DVND	DV 125
Z6010-DVND-LO	DV 125R
Z6000-DVNID-020	DV 135

Penal Flush Valves	
Zurn AquaVantage®	Sloan Royal®
Z6601AV	Royal 601
Z6602AV	Royal 602
Z6603AV	Royal 603
Z6605AV	Royal 605
Z6606AV	Royal 606
Z6609AV	Royal 609
Z6610AV	Royal 610
Z6611AV	Royal 611
Z6613AV	Royal 613
Z6614AV	Royal 614
Z6615AV	Royal 615
Z6616AV	Royal 616
Z6621AV	Royal 621
Z6681AV	Royal 681

Sensor Electronic Flush Valves	
Zurn AquaVantage®	Sloan®†
ZEMS6000AV-IS	Royal 110ES-S
ZEMS6000AV-WS1-IS	Royal 111ES-S
ZEMS6001AV-IS	Royal 180ES-S
ZEMS6003AV-IS	Royal 186ES-S
ZEMS6003AV-WS1-IS	Royal 186-1ES-S
ZEMS6140AV	Royal 140ES-S
ZEMS6142AV	Royal 142ES-S
ZEMS6152AV	Royal 152ES-S
ZEMS6190AV	Royal 190ES-S
ZEMS6195AV	Royal 195ES-S

Sensor Battery Flush Valves	
Zurn AquaVantage®	Sloan®
ZER6000AV-CPM	Royal 8110-MC
ZER6000AV-WS1-CPM	Royal 8111-MC
ZER6000AV-2-CPM	Royal 8115-MC
ZER6000AV-3-CPM	Royal 8116-MC
ZER6000AV-BWN-CPM	Royal BPW-8000-MC
ZER6000AV-HET-TM	G2 OPTIMA PLUS 8111-1.28
ZER6000AV-2-HET-TM	G2 OPTIMA PLUS 8115-1.28
ZER6000AV-1-HET-TM	G2 OPTIMA PLUS 8113-1.28
ZER6000AV-3-HET-TM	G2 OPTIMA PLUS 8116-1.28
ZER6000AV-WS1-TM	G2 OPTIMA PLUS 8111-1.6
ZER6003AV-WS1-TM	G2 OPTIMA PLUS 8186-1.6
ZER6003AV-TM	G2 OPTIMA PLUS 8186
ZER6000AV-TM	G2 OPTIMA PLUS 8110
ZER6001AV-WS1-TM	G2 OPTIMA PLUS 8180-1.6
ZER6000AV-3-WS1-TM	G2 OPTIMA PLUS 8116-1.6
ZER6001AV-TM	G2 OPTIMA PLUS 8180
ZER6001AV-WS-TM	G2 OPTIMA PLUS 8180-1.5
ZER6000AV-3-TM	G2 OPTIMA PLUS 8116
ZER6000AV-1-WS1-TM	G2 OPTIMA PLUS 8113-1.6
ZER6000AV-1-TM	G2 OPTIMA PLUS 8113
ZER6000AV-2-WS1-TM	G2 OPTIMA PLUS 8115-1.6
ZER6003AV-EWS-TM	G2 OPTIMA PLUS 8186-0.5

Sensor Battery Operated Kits	
Zurn®	Sloan®
ZERK-CPM	RESS-CR-4.5C-MC
ZERK-CPM	RESS-CF-3.5C-MC
ZERK-CPM	RESS-CF-1.6C-MC
ZERK-CPM	RESS-3.0U-MC
ZERK-CPM	RESS-1.5U-MC
ZERK-CPM	RESS-1.0U-MC
ZERK-C-WS1-TM-S	G2 OPT PLUS RESS-C
ZERK-U-WS1-TM-S	G2 OPT PLUS RESS-U
ZERK-U-EWS-TM-S	G2 OPT PLUS RESS-U-0.5
ZERK-C-WS1-TM	G2 OPT PLUS RESS-Z-C (ZURN)
ZERK-U-WS1-TM	G2 OPT PLUS RESS-Z-U (ZURN)
ZERK-U-EWS-TM	G2 OPT PLUS RESS-Z-U-0.5 (ZURN)
ZERK-HET-TM-S	G2 OPT PLUS RESS-C-1.28
ZERK-WS1-DF-TM	ECOS RESS-C-1.6/1.1 DUAL FLUSH

When ordering parts, always list product number and description.

For additional product information, please visit www.zurn.com.

ZURN® AQUAFLUSH® FLUSH VALVE CROSS REFERENCE

Zurn provides this information for general cross reference purposes only. Zurn makes no representations regarding the quality, comparability, or compatibility of any competitor products listed. All information is subject to change without notice.

Flush Valves	
Zurn Aquaflush® Plus	Sloan Regal Pro**
Z6000PL-YK	Sloan 110-YK
Z6000PL-WS1	Sloan 111
Z6000PL-1	Sloan 113
Z6000PL-1-WS1	Sloan 113-1.6
Z6014PL-WS1	Sloan 114-1.6
Z6000PL-2	Sloan 115
Z6000PL-2-WS1	Sloan 115-1.6
Z6000PL-3	Sloan 116
Z6000PL-3-WS1	Sloan 116-1.6
Z6010PL-WS1	Sloan 120-1.6
Z6001PL	Sloan 180
Z6001PL-YK	Sloan 180-YK
Z6001PL-WS1	Sloan 180-1
Z6001PL-WS	Sloan 180-1.5
Z6003PL	Sloan 186
Z6003PL-EWS	Sloan 186-0.5
Z6003PL-WS1	Sloan 186-1
Z6017PL	Sloan 117
Z6017PL-H	Sloan 117-H
Z6017PL-H-O10	Sloan 117-H-O10
Z6017PL-H-O20	Sloan 117-H-O20
ZH6000PL	Sloan 910
ZH6000-PL-WS1	Sloan 910-1.6
ZH6150PL	Sloan 950
ZH6001PL	Sloan 980
ZH6001PL-WS1	Sloan 980-1
ZH6001PL-WS	Sloan 980-1.5
ZH6003PL	Sloan 986
ZH6003PL-EWS	Sloan 986-0.5
ZH6003PL-WS1	Sloan 986-1
Z6000PL-TP	Sloan 111-TP
Z6000PL-TP-YK	Sloan 110-TP-YK

Flush Valves	
Zurn Aquaflush®	Sloan Regal Pro®
Z6000-YB-YC	Regal 110XL
Z6000-WS1-YB-YC	Regal 111XL
Z6000-2-YB-YC	Regal 115XL
Z6000-3-YB-YC	Regal 116XL
Z6010-YB-YC	Regal 120XL
Z6010-2-YB-YC	Regal 122XL
Z6001-YB-YC	Regal 180XL
Z6001-WS1-YB-YC	Regal 180-1XL
Z6003-YB-YC	Regal 186XL
Z6003-WS1-YB-YC	Regal 186-1XL
Z6087	Regal 187
Z6089	Regal 189
Z6140	Regal 140
Z6140-YB	Regal 140YB
Z6142	Regal 142
Z6142-YB	Regal 142YB
Z6143	Regal 143
Z6143-YB	Regal 143YB
Z6144	Regal 144
Z6144-YB	Regal 144YB
Z6150	Regal 150
Z6150-YB	Regal 150YB
Z6152	Regal 152
Z6152-YB	Regal 152YB
Z6154	Regal 154
Z6154-YB	Regal 154YB
Z6190	Regal 190
Z6190-YB	Regal 190YB
Z6192	Regal 192
Z6195	Regal 195
Z6195-YB	Regal 195YB
Z6197	Regal 197

Hydraulic Valves	
Zurn Aquaflush®	Sloan Regal**
ZH6603	Regal 9603
ZH6609	Regal 9609
ZH6613	Regal 9613
ZH6000	Regal 910
ZH6017	Regal 917
ZH6010	Regal 920
ZH6000-BWN	Regal BPW-9000
ZH6001	Regal 980
ZH6003	Regal 986
ZH6140	Regal 940
ZH6142	Regal 942
ZH6150	Regal 950
ZH6152	Regal 952
ZH6190	Regal 990
ZH6195	Regal 995

Penal Flush Valves	
Zurn Aquaflush®	Sloan Regal®
Z6601	Regal 601
Z6601-YB	Regal 601YB
Z6603	Regal 603
Z6603-YB	Regal 603YB
Z6606	Regal 606
Z6606-YB-YC	Regal 606XL
Z6609	Regal 609
Z6609-YB	Regal 609YB
Z6610	Regal 610
Z6610-YB-YC	Regal 610YB
Z6611	Regal 611
Z6611-YB	Regal 611YB
Z6613	Regal 613
Z6613-YB	Regal 613YB
Z6614	Regal 614
Z6614-YB-YC	Regal 614XL
Z6615	Regal 615
Z6615-YB	Regal 615YB
Z6616	Regal 616
Z6616-YB	Regal 616YB
Z6681	Regal 681

Bedpan Washer Flush Valves	
Zurn Aquaflush®	Sloan Regal®
Z6000-BWN	BPW 1000
Z6000-BWN-YB-YC	BPW 1000XL
Z6010-BWN	BPW 1010
Z6011-BWN	BPW 1150
Z6020-BWN	BPW 1020
Z6030-BWN	BPW 1030
Z6040-BWN	BPW 1040
ZH6000-BWN-FW	BPW 9000

*Sloan® is a registered trademark of Sloan Valve Company. Sloan and the Sloan products listed are not associated with Zurn or Zurn's products. The brands and product names listed may be subject to the trademark rights of their respective owners. Use of the brands and names is for identification purposes only and does not imply affiliation with or endorsement by Zurn.

FAUCETS

AQUA-FIT® SENSOR FAUCET SYSTEMS 43

Z6950 AQUA-FIT SERIO SERIES® - SINGLE POST	43
Z6950-XL-IM* AQUA-FIT SERIO SERIES - SINGLE POST WITH INTEGRAL MIXING VALVE	43
Z6955 AQUA-FIT SERIO SERIES - 4" INCH CENTER	43
Z6951 AQUA-FIT FULMER SERIES® - SINGLE POST	43

ARCHITECTURAL BATTERY SENSOR FAUCETS 45

Z6953 CAMAYA SERIES® - DECK MOUNTED	45
Z6956 CUMBERLAND SERIES® - DECK MOUNTED	45
Z6957* NACHI SERIES® - WALL MOUNTED	45
FAUCET ACCESSORIES AQUA-FIT Z6950 SERIO SERIES	44
AERATOR OPTIONS FOR AQUA-FIT SERIES	44
ADDITIONAL POWER OPTIONS FOR AQUA-FIT SERIES	44

AQUASENSE® E-Z BATTERY SENSOR FAUCETS 46

FAUCET ORDERING INSTRUCTIONS	46
AQUASENSE Z6913 SERIES - SINGLE HOLE SENSOR FAUCET	46
AQUASENSE Z6915 SERIES - 4" CENTERSET SENSOR FAUCET	46
AQUASENSE Z6920 SERIES - SINGLE HOLE GOOSENECK SENSOR FAUCET	46
AQUASENSE Z6922 SERIES - SINGLE HOLE WALL MOUNT GOOSENECK SENSOR FAUCET	46
AQUASENSE Z6933* SERIES - SINGLE POST BATTERY SENSOR FAUCET	46
AQUASENSE Z6936* SERIES - SINGLE POST BATTERY SENSOR FAUCET	46

EZ GEAR HARDWIRED SENSOR FAUCETS 47

AQUASENSE® EZ GEAR Z6913 SERIES - SINGLE HOLE SENSOR FAUCET	47
AQUASENSE® EZ GEAR Z6915 SERIES - 4" BASE CENTERSET SENSOR FAUCET	47
AQUASENSE® EZ GEAR Z6920 SERIES - SINGLE POST GOOSENECK SENSOR FAUCET	47
AQUASENSE® EZ GEAR Z6922 SERIES - SINGLE HOLE GOOSENECK WALL-MOUNTED SENSOR FAUCET	47
AQUA-FIT® EZ GEAR SERIO SERIES® - SINGLE POST SENSOR FAUCET	47
AQUA-FIT® EZ GEAR SERIO SERIES® - 4" BASE CENTERSET SENSOR FAUCET	47
AQUASENSE® EZ GEAR CAMAYA SERIES® - SINGLE POST SENSOR FAUCET	47
AQUASENSE® EZ GEAR CUMBERLAND SERIES - SINGLE POST SENSOR FAUCET	47

CONNECTED FAUCETS 48

AQUASENSE® Z6913 SERIES - CONNECTED SINGLE POST SENSOR FAUCET	48
AQUASENSE® Z6915 SERIES - CONNECTED 4" BASE CENTERSET SENSOR FAUCET	48
AQUASENSE® Z6920 SERIES - CONNECTED SINGLE POST GOOSENECK SENSOR FAUCET	48
AQUASENSE® Z6922 SERIES - CONNECTED SINGLE POST GOOSENECK WALL-MOUNTED SENSOR FAUCET	48
AQUA-FIT® SERIO SERIES® - CONNECTED SINGLE POST SENSOR FAUCET	48
AQUA-FIT® SERIO SERIES® - CONNECTED 4" BASE CENTERSET SENSOR FAUCET	48
CONNECTED BATTERY FAUCETS RETROFIT KITS	48
AQUASENSE® EZ GEAR Z6913 SERIES - CONNECTED SINGLE HOLE SENSOR FAUCET	49
AQUASENSE® EZ GEAR Z6915 SERIES - CONNECTED 4" BASE CENTERSET SENSOR FAUCET	49

AQUASENSE® EZ GEAR Z6920 SERIES - CONNECTED SINGLE POST GOOSENECK SENSOR FAUCET	49
AQUASENSE® EZ GEAR Z6922 SERIES - CONNECTED SINGLE HOLE GOOSENECK WALL-MOUNTED SENSOR FAUCET	49
AQUA-FIT® SERIO SERIES® - CONNECTED SINGLE POST SENSOR FAUCET	49
AQUA-FIT® SERIO SERIES® - CONNECTED 4" BASE CENTERSET SENSOR FAUCET	49
CONNECTED HARDWIRED FAUCETS RETROFIT KITS	49

SENSOR SOAP DISPENSERS 50

AQUASENSE® SENSOR FAUCET ACCESSORIES 50

POWER CONVERTERS FOR SENSOR FAUCETS	50
SLIM AERATORS FOR Z6913-XL, Z6915-XL, Z6953-XL AND Z6956-XL	50
AERATORS FOR Z6920-XL AND Z6922-XL	50
AERATORS FOR Z6950-XL, Z6950-XL-IM AND Z6955-XL	50
MIXING TEE AND MIXING VALVES	51
GOOSENECKS	51
COVER PLATES AND ADAPTERS	51
POWER SUPPLIES	51
HOSES	51
Z6900 SERIES - ACCESSORIES	51

AQUASENSE® FAUCET CROSS REFERENCE GUIDE 52

AQUASPEC® FAUCET BUILDER 53

AQUASPEC® COMMERCIAL PRODUCT SUFFIXES 59

AQUASPEC® COMMERCIAL PRODUCTS 60

4" CENTERSET LAVATORY FAUCETS	60
4" CENTERSET GOOSENECK FAUCETS	60
4" CENTERSET CAST SPOUT FAUCETS	61
4" CENTERSET TUBULAR SPOUT FAUCETS	61
4" CENTERSET VACUUM BREAKER SPOUT FAUCETS	62
4" CENTERSET BENT RISER SPOUT FAUCETS	62
4" CENTERSET METERING FAUCETS	62
SINK GOOSENECK FAUCETS	63
SINK CAST SPOUT FAUCETS	63
SINK TUBULAR SPOUT FAUCETS	63
SINK VACUUM BREAKER SPOUT FAUCETS	64
WIDESPREAD GOOSENECK FAUCETS	64
WIDESPREAD CAST SPOUT FAUCETS	64
WIDESPREAD TUBULAR SPOUT FAUCETS	65
WIDESPREAD BENT RISER SPOUT FAUCETS	65
WIDESPREAD VACUUM BREAKER FAUCETS	65
WIDESPREAD METERING FAUCETS	65
DECK-MOUNTED FAUCETS	66
BACK-MOUNTED FAUCETS	66

WALL-MOUNTED FAUCETS	66
KITCHEN SINK FAUCETS	67
SERVICE SINK FAUCETS	68
CLINICAL SERVICE SINK FAUCETS	69
SINGLE BASIN FAUCETS	70
SINGLE CONTROL FAUCETS	70
SINGLE LAB FAUCETS	71
DOUBLE LAB FAUCETS	72
SHOWER VALVE BODY	73
MISC. FAUCETS	73
BEDPAN WASHERS	73
SINK AND SERVICE SINK FAUCETS	74
PRE-RINSE UNITS	75
SPRAY HOSES	76
FOOT PEDAL VALVE	76
SUPPLY STOPS	76
MISCELLANEOUS ACCESSORIES	76
PRE-RINSE ACCESSORIES	77
POT FILLERS	77
POT FILLER ACCESSORIES	77
SHOWER VALVE BODY	77

MISC. FAUCETS	77
BEDPAN WASHERS	77
HOSE REEL ACCESSORIES	78
BASKET STRAINERS	78
REPAIR PARTS	78
AERATOR ADAPTERS	79
CERAMIC DISC XL CARTRIDGES	79
SINGLE CONTROL MIXING CARTRIDGES	79
COVER PLATES	79
BODY ASSEMBLY PARTS AND MOUNTING HARDWARE	79
SUPPLY ARMS	80
METERING PARTS	80
HANDLE PARTS	80
SINGLE HANDLES	80
PAIR OF HANDLES	80
METERING HANDLES	80
SPOUTS	81
SPOUT PARTS	81
LEAD-FREE (XL) SPOUTS	81

AQUA-FIT® SENSOR FAUCET SYSTEMS

Aqua-FIT Sensor Faucets Z6950 and Z6955 come standard with Hydro•X Power to deliver seamless, sustainable performance at the sink—up to ten or more years without a single battery replacement! Hardwire and plug-in power options are also available. Quick customization and easy installation make Aqua-FIT an ideal touchless solution.

PRODUCT NO.	DESCRIPTION	UPC
Z6950 Aqua-FIT Serio Series® - Single Post		
Z6950-XL-S-E	w/ 1.5 gpm Aerator	889934207224
Z6950-XL-S-F	w/ 0.5 gpm Spray Outlet	889934210583
Z6950-XL-S-CP4-E	w/ 4" Cover Plate	889934207149
Z6950-XL-S-CP4-F	w/ 0.5 gpm Spray Outlet and 4" Cover Plate	889934210514
Z6950-XL-S-CWB-E	w/ Connecting Wire for Plug In or Hardwired Applications	-
Z6950-XL-S-CWB-F	w/ Connecting Wire for Plug In or Hardwired Applications and 0.5 gpm Spray Outlet	670240973152
Z6950-XL-S-CP8-E	w/ 8" Cover Plate	889934207217
Z6950-XL-S-MV	w/ Mixing Valve	889934207170
Z6950-XL-S-CP4-MV	w/ 4" Cover Plate and Mixing Valve	889934207132
Z6950-XL-S-CP8-MV	w/ 8" Cover Plate and Mixing Valve	889934207187
Z6950-XL-S-TMV-1-E	w/ Thermostatic Mixing Valve	889934207156
Z6950-XL-S-CP4-TMV-1	w/ 4" Cover Plate and Thermostatic Mixing Valve	-
Z6950-XL-IM* Aqua-FIT Serio Series - Single Post with Integral Mixing Valve		
Z6950-XL-IM-S	w/ 1.5 gpm Aerator	670240967335
Z6950-XL-IM-S-F	w/ 0.5 gpm Spray Outlet	670240967458
Z6950-XL-IM-S-CP4	w/ 4" Cover Plate	-
Z6950-XL-IM-S-CP4-F	w/ 0.5 gpm Spray Outlet and 4" Cover Plate	-
Z6950-XL-IM-S-CWB	w/ Connecting Wire for Plug In or Hardwired Applications	-
Z6950-XL-IM-S-CWB-F	w/ Connecting Wire for Plug In or Hardwired Applications and 0.5 gpm Spray Outlet	-
Z6950-XL-IM-S-CP8	w/ 8" Cover Plate	-
Z6955 Aqua-FIT Serio Series - 4" Inch Center		
Z6955-XL-S-E	w/ 1.5 gpm Aerator	889934207385
Z6955-XL-S-F	w/ 0.5 gpm Spray Outlet	889934210996
Z6955-XL-S-CWB	w/ Connecting Wire for Plug In or Hardwired Applications	-
Z6955-XL-S-CWB-F	w/ Connecting Wire for Plug In or Hardwired Applications and 0.5 gpm Spray Outlet	889934000108
Z6955-XL-S-MV	w/ Mixing Valve	-
Z6951 Aqua-FIT Fulmer Series® - Single Post		
Z6951-XL	Chrome Finish	-
Z6951-XL-BN	Brushed Nickel Finish	-
Z6951-XL-E	w/ 1.5 gpm vandal-resistant aerator	889934211054
Z6951-XL-F	w/ 0.5 gpm vandal-resistant aerator	889934211061
Z6951-XL-CP4	w/ 4" cover plate	-
Z6951-XL-CP4-F	w/ 4" cover plate	-
Z6951-XL-CWB	w/ Connector wire for hardwire	-
Z6951-XL-CWB-F	w/ Connector wire for hardwire	-
Z6951-XL-CP8	w/ 8" cover plate	-
Z6951-XL-MV	w/ Temperature mixing valve	-
Z6951-XL-CP4-MV	w/ 4" cover, mixing valve	-
Z6951-XL-CP8-MV	w/ 8" cover, mixing valve	-
Z6951-XL-TMV-1	w/ TMV for single faucet	-
Z6951-XL-CP4-TMV-1	w/ 4" cover, TMV	-



Z6950-XL-S



Z6950-XL-IM-S*



Z6955-XL-S



Z6951-XL

PRODUCT NO.	DESCRIPTION	UPC
Faucet Accessories Aqua-FIT Z6950 Serio Series		
P6950-XL-S-1	Z6950-XL Spout Assembly with Sensor & Shank Base	670240963221
P6955-XL-S-1	Z6955-XL Spout Assembly with Sensor Shank Base	670240963214
P6950-XL-S-IM-1	Z6950-XL-IM Spout Assembly with Sensor Shank Base	670240963238
P6950-XL-SPOUT	Z6950-XL Spout Assembly with Sensor (LESS BASE SHANK)	670240963269
P6955-XL-SPOUT	Z6955-XL Spout Assembly with Sensor (LESS BASE SHANK)	670240963252
P6950-XL-IM-SPOUT	Z6950-XL-IM Spout Assembly with Sensor (LESS BASE SHANK)	670240963245
P6950-XL-B	Spout shank base for Z6950/Z6955-XL	670240963276
P6950-XL-IM-B	Spout shank base on Z6950-XL-IM	670240963283
P6950-XL-44	Z6955-XL Spout base gasket	670240963306
P6950-XL-B-L-V2	Electronics Box with Solenoid - Z6950/55-XL	889934173703
P6950-XL-IM-B-L-V2	Electronics Box with Solenoid - Z6950-XL-IM	889934173710
P6950-XL-Y	Y pipe Adapter for Z6950-XL-IM model	670240963337
P6950-XL-H	Mixing Handle for Z6950-XL-IM model	670240963344
P6950-XL-C	Mixing handle plug/cap for Z6950-XL-IM model	889934103113
P6950-XL-OS	Handle O-ring & Handle Screw Z6950-XL-IM	670240963481
P6950-XL-YC	Y Cable Adapter Z6950-XL-IM	670240963498
P6950-XL-DC	Modular DC pigtail cable for Plug-In & Hardwired Units	670240963504
P6950-CP4	4" Cast Cover Plate w/ Gasket	670240963511
P6950-CP8	8" Cast Cover Plate w/ Gasket	670240963528
P6950-XL-EL	Z6950 Sensor Assembly	670240963559
Aerator Options for Aqua-FIT Series		
P6930-20E	1.5 gpm aerator	670240809130
P6930-20J	1.5 Laminar gpm	670240809154
P6930-20L	1.0 gpm aerator	670240809185
P6930-20K	1.0 Laminar gpm	670240809178
P6930-20F	0.5 gpm Spray Outlet	670240809147
P6930-20M	0.35 gpm Spray Outlet	670240809192
Additional Power Options for Aqua-FIT Series		
-ACA	DC Plug In	
-CWB	Connecting Wire for Plug In or Hardwired Applications	
P6000-HW6	Power converter (HW)	

FLUSH VALVES

FAUCETS

TEMP-GARD®

TUBULAR BRASS

FIXTURES

AQUAPARTS® REPAIR PARTS
AND ASSEMBLIES

ARCHITECTURAL BATTERY SENSOR FAUCETS

Architectural Sensor Faucets Z6953 and Z6956 come standard with Hydro•X Power to deliver seamless, sustainable performance at the sink—up to ten or more years without a single battery replacement! Hardwire and plug-in power options are also available. Quick customization and easy installation make these faucets an ideal touchless solution.

PRODUCT NO.	DESCRIPTION	UPC
Z6953 Camaya Series® - Deck Mounted		
Z6953-XL	Chrome Finish	-
Z6953-XL-BN	Brushed Nickel Finish	889934211078
Z6953-XL-N	w/ 0.5 gpm Laminar Aerator	-
Z6953-XL-F	w/ 0.5 gpm Aerator	889934211085
Z6953-XL-MV	w/ Thermostatic Mixing Valve	-
Z6953-XL-TMV-1	w/ TMV for single faucet	-
Z6956 Cumberland Series® - Deck Mounted		
Z6956-XL-E	Chrome Finish	889934207477
Z6956-XL-BN	Brushed Nickel Finish	-
Z6956-XL-N	w/ 0.5 gpm Laminar Aerator	-
Z6956-XL-F	w/ 0.5 gpm Aerator	889934211092
Z6956-XL-MV	w/ Thermostatic Mixing Valve	-
Z6956-XL-TMV-1	w/ TMV for single faucet	-
Z6957* Nachi Series® - Wall Mounted		
Z6957-XL	Chrome Finish	-
Z6957-XL-BN	Brushed Nickel Finish	-
Z6957-XL-N	w/ 0.5 gpm laminar aerator	889934132946
Z6957-XL-F	w/ 0.5 gpm aerator	-
Z6957-XL-MV	w/ Temperature mixing valve	-
Z6957-XL-TMV-1	w/ TMV for single faucet	-



Z6953-XL



Z6956-XL



Z6957-XL*

AQUASENSE® E-Z BATTERY SENSOR FAUCETS

Faucet Ordering Instructions

AquaSense Z6900 series faucets can be furnished as battery powered, plug-in powered, or hardwired. Models Z6913, Z6915, Z6920 and Z6922 can also be furnished with Hydro•X power.

To order a plug-in model faucet, add the suffix -ACA (AC Adapter) after the faucet model number, i.e. Z6913-XL-ACA, and then the desired accessories.

To order a hardwire model faucet, add the suffix -CWB (Connecting Wire) after the faucet model number, i.e. Z6915-XL-CWB, and then the desired accessories. On a separate line, order the appropriate number of P6000-HW6 hardwire power converters. One P6000-HW6 will power up to eight Z6900 series faucets.

To order a Hydro•X model faucet (Z6913, Z6915, Z6920, and Z6922 only), add the suffix -HYD.

Note: All faucets are supplied with 1.5 gpm (-E) vandal-proof aerator as standard.

PRODUCT NO.	DESCRIPTION	UPC
AquaSense Z6913 Series - Single Hole Sensor Faucet		
Z6913-XL	with 1.5 gpm Aerator	670240381346
Z6913-XL-CP4	with 4" Cover Plate	670240497122
Z6913-XL-CP8	with 8" Cover Plate	670240869486
Z6913-XL-MV	with Mixing Valve	670240385481
Z6913-XL-CP4-MV	with 4" Cover Plate and Mixing Valve	670240389953
Z6913-XL-CP8-MV	with 8" Cover Plate and Mixing Valve	67024000865
Z6913-XL-CP4-TMV-1	with 4" Cover Plate and Thermostatic Mixing Valve	670240845336
Z6913-XL-CP8-TMV-1	with 8" Cover Plate and Thermostatic Mixing Valve	670240871854
Z6913-XL-ADM	with Above Deck Mixer	-
Z6913-XL-ADM-1	with Above Deck Mixer and 4" Cover Plate	670240931312
Z6913-XL-ADM-2	with Above Deck Mixer and 8" Cover Plate	-
AquaSense Z6915 Series - 4" Centerset Sensor Faucet		
Z6915-XL	with 1.5 gpm Aerator	670240381599
Z6915-XL-MV	with Mixing Valve	670240384316
Z6915-XL-TMV-1	with Thermostatic Mixing Valve	670240384583
AquaSense Z6920 Series - Single Hole Gooseneck Sensor Faucet		
Z6920-XL	with 1.5 gpm Aerator	670240381902
Z6920-XL-CP4	with 4" Cover Plate	670240386051
Z6920-XL-CP8	with 8" Cover Plate	670240381919
Z6920-XL-MV	with Mixing Valve	670240385573
Z6920-XL-CP4-MV	with 4" Cover Plate and Mixing Valve	670240700192
Z6920-XL-CP8-MV	with 8" Cover Plate and Mixing Valve	670240702981
Z6920-XL-TMV-1	with Thermostatic Mixing Valve	670240447639
Z6920-XL-CP4-TMV-1	with 4" Cover Plate and Thermostatic Mixing Valve	670240687417
Z6920-XL-CP8-TMV-1	with 8" Cover Plate and Thermostatic Mixing Valve	670240687981
Z6920-XL-ADM	with Above Deck Mixer	670240864634
Z6920-XL-ADM-1	with Above Deck Mixer and 4" Cover Plate	670240388109
Z6920-XL-ADM-2	with Above Deck Mixer and 8" Cover Plate	670240862784
AquaSense Z6922 Series - Single Hole Wall Mount Gooseneck Sensor Faucet		
Z6922-XL	with 1.5 gpm Aerator	670240956407
Z6922-XL-SB	with 8" Spout	-
AquaSense Z6933* Series - Single Post Battery Sensor Faucet		
Z6933	Battery Only with 0.5 gpm Aerator	889934201642
Z6933-CP4	Battery Only with 4" Cover Plate and 0.5 gpm Aerator	889934203134
AquaSense Z6936* Series - Single Post Battery Sensor Faucet		
Z6936	Battery Only with 0.5 gpm Aerator	889934201659
Z6936-CP4	Battery Only with 4" Cover Plate and 0.5 gpm Aerator	889934196207



Z6913-XL



Z6915-XL



Z6920-XL



Z6922-XL
Wall Mount



Z6933*



Z6936*

EZ GEAR HARDWIRED SENSOR FAUCETS

Zurn EZ Gear Sensor Faucets with plug-in/hardwired power deliver reliability, precision and efficiency to your commercial restroom. Thanks to dual action of the ceramic disc cartridge and the same motor gear-driven operation found in our E-Z Flush units, these outperform and outlast other faucets. They intuitively sense the user without delay, too much force, or wasting water. Plus, they're easy to install and virtually forget.

PRODUCT NO.	DESCRIPTION
Aquasense® EZ Gear Z6913 Series - Single Hole Sensor Faucet	
Z6913-XL-ACA	EZ Gear Plug-In Single Post Sensor Faucet - 1.5 GPM
Z6913-XL-ACA-FS	EEZ Gear Plug-In Single Post Sensor Faucet -0.5 GPM
Z6913-XL-ACA-MV	EZ Gear Plug-In Single Post Sensor Faucet w/ Mixing Valve - 1.5 GPM
Z6913-XL-ACA-FS-MV	EZ Gear Plug-In Single Post Sensor Faucet w/ Mixing Valve - 0.5 GPM
Aquasense® EZ Gear Z6915 Series - 4" Base Centerset Sensor Faucet	
Z6915-XL-ACA	EZ Gear Plug-In 4" Base Centerset Sensor Faucet - 1.5 GPM
Z6915-XL-ACA-FS	EZ Gear Plug-In 4" Base Centerset Sensor Faucet - 0.5 GPM
Z6915-XL-ACA-MV	EZ Gear Plug-In 4" Base Centerset Sensor Faucet w/ Mixing Valve - 1.5 GPM
Z6915-XL-ACA-FS-MV	EZ Gear Plug-In 4" Base Centerset Sensor Faucet w/ Mixing Valve - 0.5 GPM
Aquasense® EZ Gear Z6920 Series - Single Post Gooseneck Sensor Faucet	
Z6920-XL-ACA	EZ Gear Plug-In Gooseneck Sensor Faucet - 1.5 GPM
Z6920-XL-F-ACA	EZ Gear Plug-In Gooseneck Sensor Faucet - 0.5 GPM
Z6920-XL-MV-ACA	EZ Gear Plug-In Gooseneck Sensor Faucet w/ Mixing Valve - 1.5 GPM
Z6920-XL-F-MV-ACA	EZ Gear Plug-In Gooseneck Sensor Faucet w/ Mixing Valve - 0.5 GPM
Aquasense® EZ Gear Z6922 Series - Single Hole Gooseneck Wall-Mounted Sensor Faucet	
Z6922-XL-ACA	EZ Gear Plug-In Gooseneck Wall-Mounted Sensor Faucet 1.5 GPM
Z6922-XL-F-ACA	EZ Gear Plug-In Gooseneck Wall-Mounted Sensor Faucet - 0.5 GPM
Z6922-XL-MV-ACA	EZ Gear Plug-In Gooseneck Wall-Mounted Sensor Faucet w/ Mixing Valve - 1.5 GPM
Z6922-XL-F-MV-ACA	EZ Gear Plug-In Gooseneck Wall-Mounted Sensor Faucet w/ Mixing Valve - 0.5 GPM
Aqua-FIT® EZ Gear Serio Series® - Single Post Sensor Faucet	
Z6950-XL-S-CV-E	EZ Gear Aqua-FIT® Serio Series® Single Post Plug-In Sensor Faucet - 1.5 GPM
Z6950-XL-S-CV-F	EZ Gear Aqua-FIT® Serio Series® Single Post Plug-In Sensor Faucet - 0.5 GPM
Z6950-XL-IM-S-CV-E	EZ Gear Aqua-FIT® Serio Series® Single Post Plug-In Sensor Faucet w/ Integral Mixer -1.5 GPM
Z6950-XL-IM-S-CV-F	EZ Gear Aqua-FIT® Serio Series® Single Post Plug-In Sensor Faucet w/ Integral Mixer -0.5 GPM
Aqua-FIT® EZ Gear Serio Series® - 4" Base Centerset Sensor Faucet	
Z6955-XL-S-CV-E	EZ Gear Aqua-FIT® Serio Series® 4" Base Centerset Plug-In Sensor Faucet - 1.5 GPM
Z6955-XL-S-CV-F	EZ Gear Aqua-FIT® Serio Series® 4" Base Centerset Plug-In Sensor Faucet - 0.5 GPM
Aquasense® EZ Gear Camaya Series® - Single Post Sensor Faucet	
Z6953-XL-CV-E	EZ Gear Aqua-FIT® Camaya Series® Single Post Plug-In Sensor Faucet in Polished Chrome - 1.5 GPM
Z6953-XL-CV-BN	EZ Gear Aqua-FIT® Camaya Series® Single Post Plug-In Sensor Faucet in Brushed Nickel - 0.5 GPM
Aquasense® EZ Gear Cumberland Series - Single Post Sensor Faucet	
Z6956-XL-CV-E	EZ Gear Aqua-FIT® Cumberland Series® Single Post Plug-In Sensor Faucet in Polished Chrome- 1.5 GPM
Z6956-XL-CV-BN	EZ Gear Aqua-FIT® Cumberland Series® Single Post Plug-In Sensor Faucet in Brushed Nickel - 0.5 GPM



CONNECTED FAUCETS

Zurn Connected Faucets give you insights in real time through wireless monitoring technology for preventative maintenance and more control over your restroom environment. Manage daily activities more efficiently by setting up automatic notifications for faucet usage count, water consumption, and preventative maintenance. You can monitor data and make decisions critical to keeping your faucets in working order.

Connected Battery Faucets

PRODUCT NO.	DESCRIPTION
Aquasense® Z6913 Series - Connected Single Post Sensor Faucet	
Z6913-XL-W2	Connected Single Post Battery Powered Sensor Faucet - 1.5 GPM
Z6913-XL-FS-W2	Connected Single Post Battery Powered Sensor Faucet- 0.5 GPM
Z6913-XL-MV-W2	Connected Single Post Battery Powered Sensor Faucet w/ Mixing Valve - 1.5 GPM
Z6913-XL-FS-MV-W2	Connected Single Post Battery Powered Sensor Faucet w/ Mixing Valve - 0.5 GPM
Z6913-XL-CP4-W2	Connected Single Post Battery Powered Sensor Faucet w/ 4" Cover Plate - 1.5 GPM
Z6913-XL-CP4-FS-W2	Connected Single Post Battery Powered Sensor Faucet w/ 4" Cover Plate - 0.5 GPM
Aquasense® Z6915 Series - Connected 4" Base Centerset Sensor Faucet	
Z6915-XL-W2	Connected 4" Base Centerset Battery Powered Sensor Faucet - 1.5 GPM
Z6915-XL-FS-W2	Connected 4" Base Centerset Battery Powered Sensor Faucet- 0.5 GPM
Z6915-XL-MV-W2	Connected 4" Base Centerset Battery Powered Sensor Faucet w/ Mixing Valve - 1.5 GPM
Z6915-XL-FS-MV-W2	Connected 4" Base Centerset Battery Powered Sensor Faucet w/ Mixing Valve- 0.5 GPM
Aquasense® Z6920 Series - Connected Single Post Gooseneck Sensor Faucet	
Z6920-XL-W2	Connected Single Post Gooseneck Battery Powered Sensor Faucet - 1.5 GPM
Z6920-XL-F-W2	Connected Single Post Gooseneck Battery Powered Sensor Faucet - 0.5 GPM
Z6920-XL-MV-W2	Connected Single Post Gooseneck Battery Powered Sensor Faucet w/ Mixing Valve - 1.5 GPM
Z6920-XL-F-MV-W2	Connected Single Post Gooseneck Battery Powered Sensor Faucet w/ Mixing Valve - 0.5 GPM
Z6920-XL-CP4-W2	Connected Single Post Gooseneck Battery Powered Sensor Faucet w/ 4" Cover Plate - 1.5 GPM
Z6920-XL-CP4-F-W2	Connected Single Post Gooseneck Battery Powered Sensor Faucet w/ 4" Cover Plate - 0.5 GPM
Aquasense® Z6922 Series - Connected Single Post Gooseneck Wall-Mounted Sensor Faucet	
Z6922-XL-W2	Connected Single Post Gooseneck Sensor Wall-Mounted Sensor Faucet - 1.5 GPM
Z6922-XL-MV-W2	Connected Single Post Gooseneck Sensor Wall-Mounted Sensor Faucet w/ Mixing Valve - 1.5 GPM
Aqua-FIT® Serio Series® - Connected Single Post Sensor Faucet	
Z6950-XL-S-E-W2	Connected Aqua-FIT®Serio Series® Single Post Sensor Faucet with Long-life Battery - 1.5 GPM
Z6950-XL-S-CP4-E-W2	Connected Aqua-FIT®Serio Series® Single Post Sensor Faucet with Long-life Battery and 4" Cover Plate - 1.5 GPM
Z6950-XL-S-F-W2	Connected Aqua-FIT®Serio Series® Single Post Sensor Faucet with Long-life Battery - 0.5 GPM
Z6950-XL-S-F-MV-W2	Connected Aqua-FIT®Serio Series® Single Post Sensor Faucet with Long-life Battery and Mixing Valve - 0.5 GPM
Z6950-XL-S-CP4-F-W2	Connected Aqua-FIT®Serio Series® Single Post Sensor Faucet with Long-life Battery and 4" Cover Plate - 0.5 GPM
Z6950-XL-IM-S-E-W2	Connected Aqua-FIT®Serio Series® Single Post Sensor Faucet with Long-life Battery and Integral Mixer - 1.5 GPM
Z6950-XL-IM-S-F-W2	Connected Aqua-FIT®Serio Series® Single Post Sensor Faucet with Long-life Battery and Integral - 0.5 GPM
Aqua-FIT® Serio Series® - Connected 4" Base Centerset Sensor Faucet	
Z6955-XL-S-E-W2	Connected Aqua-FIT® Serio Series® 4" Base Centerset Sensor Faucet with Long-life Battery - 1.5 GPM
Z6955-XL-S-F-W2	Connected Aqua-FIT® Serio Series® 4" Base Centerset Sensor Faucet with Long-life Battery - 0.5 GPM
Connected Battery Faucets Retrofit Kits	
P6900-RK-W2	Connected Battery Sensor Retrofit Kit for Solenoid Faucets



Z6913-XL-W2



Z6915-XL-W2



Z6920-XL-W2



Z6922-XL-W2



Z6950-XL-S-W2



Z6955-XL-S-W2

Connected Hardwired Faucets

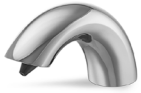
PRODUCT NO.	DESCRIPTION
Aquasense® EZ Gear Z6913 Series - Connected Single Hole Sensor Faucet	
Z6913-XL-W1	Connected EZ Gear Plug-In Single Post Sensor Faucet - 1.5 GPM
Z6913-XL-W1-FS	Connected EZ Gear Plug-In Single Post Sensor Faucet - 0.5 GPM
Z6913-XL-W1-MV	Connected EZ Gear Plug-In Single Post Sensor Faucet w/ Mixing Valve - 1.5 GPM
Z6913-XL-W1-FS-MV	Connected EZ Gear Plug-In Single Post Sensor Faucet w/ Mixing Valve - 0.5 GPM
Aquasense® EZ Gear Z6915 Series - Connected 4" Base Centerset Sensor Faucet	
Z6915-XL-W1	Connected EZ Gear Plug-In 4" Base Centerset Sensor Faucet - 1.5 GPM
Z6915-XL-W1-FS	Connected EZ Gear Plug-In 4" Base Centerset Sensor Faucet - 0.5 GPM
Z6915-XL-W1-MV	Connected EZ Gear Plug-In 4" Base Centerset Sensor Faucet w/ Mixing Valve - 1.5 GPM
Z6915-XL-W1-FS-MV	Connected EZ Gear Plug-In 4" Base Centerset Sensor Faucet w/ Mixing Valve - 0.5 GPM
Aquasense® EZ Gear Z6920 Series - Connected Single Post Gooseneck Sensor Faucet	
Z6920-XL-W1	Connected EZ Gear Plug-In Gooseneck Sensor Faucet - 1.5 GPM
Z6920-XL-W1-F	Connected EZ Gear Plug-In Gooseneck Sensor Faucet - 0.5 GPM
Z6920-XL-W1-MV	Connected EZ Gear Plug-In Gooseneck Sensor Faucet w/ Mixing Valve - 1.5 GPM
Z6920-XL-W1-F-MV	Connected EZ Gear Plug-In Gooseneck Sensor Faucet w/ Mixing Valve - 0.5 GPM
Aquasense® EZ Gear Z6922 Series - Connected Single Hole Gooseneck Wall-Mounted Sensor Faucet	
Z6922-XL-W1	Connected EZ Gear Plug-In Gooseneck Wall-Mounted Sensor Faucet - 1.5 GPM
Z6922-XL-W1-F	Connected EZ Gear Plug-In Gooseneck Wall-Mounted Sensor Faucet - 0.5 GPM
Z6922-XL-W1-MV	Connected EZ Gear Plug-In Gooseneck Wall-Mounted Sensor Faucet w/ Mixing Valve - 1.5 GPM
Z6922-XL-W1-F-MV	Connected EZ Gear Plug-In Gooseneck Wall-Mounted Sensor Faucet w/ Mixing Valve - 0.5 GPM
Aqua-FIT® Serio Series® - Connected Single Post Sensor Faucet	
Z6950-XL-S-W1-E	Connected Aqua-FIT®Serio Series® Single Post Plug-In Sensor Faucet - 1.5 GPM
Z6950-XL-S-W1-F	Connected Aqua-FIT®Serio Series® Single Post Plug-In Sensor Faucet - 0.5 GPM
Z6950-XL-IM-S-W1-E	Connected Aqua-FIT®Serio Series® Single Post Plug-In Sensor Faucet w/ Integral Mixer - 1.5 GPM
Z6950-XL-IM-S-W1-F	Connected Aqua-FIT®Serio Series® Single Post Plug-In Sensor Faucet w/ Integral Mixer - 0.5 GPM
Aqua-FIT® Serio Series® - Connected 4" Base Centerset Sensor Faucet	
Z6955-XL-S-W1-E	Connected Aqua-FIT®Serio Series® 4" Base Centerset Plug-In Sensor Faucet - 1.5 GPM
Z6955-XL-S-W1-F	Connected Aqua-FIT®Serio Series® 4" Base Centerset Plug-In Sensor Faucet - 0.5 GPM
Connected Hardwired Faucets Retrofit Kits	
P6900-RK-W1	EZ Gear Plug-in/Hardwired Connected Sensor Faucet Retrofit Kit for -CV Faucets



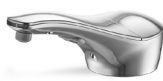
SENSOR SOAP DISPENSERS

PRODUCT NO.	DESCRIPTION	UPC
Soap Dispensers		
Z6950-SD*	Serio Series	889934125320
Z6951-SD	Fulmer Series	889934144383
Z6953-SD	Camaya Series	889934135237
Z6956-SD	Cumberland Series	889934140439
Z6957-SD*	Nachi Series	889934125481
Z6900-SD-WM	Wall-Mount Sensor Liquid Soap Dispenser	889934194623
Z6900-FSD-WM	Wall-Mount Sensor Foam Soap Dispenser	889934194456

*Plug-in power only



Z6950-SD



Z6951-SD



Z6953-SD



Z6956-SD



Z6957-SD



Z6900-SD-WM

AQUASENSE® SENSOR FAUCET ACCESSORIES

PRODUCT NO.	DESCRIPTION	UPC
Power Converters for Sensor Faucets		
P6900-ACA	6 VDC A/C Plug-in Adapter for Battery Faucets Z6913-XL, Z6915-XL, Z6920-XL, Z6922-XL, Z6950-XL, Z6950-XL-IM, Z6951-XL and Z6955-XL	670240582446
P6900-CWB	Connecting Wire for Power Converter Z6913-XL, Z6915-XL, Z6920-XL, Z6922-XL, Z6950-XL, Z6950-XL-IM, Z6951-XL and Z6955-XL	670240586000
P6900-HYD	Hydro•X Power Turbine Assembly for Battery Faucets Z6913-XL, Z6915-XL, Z6920-XL and Z6922-XL	889934213935
P6000-HW6	Hardwired Power Converter for Z6913-XL, Z6915-XL, Z6920-XL, Z6922-XL, Z6950-XL, Z6950-XL-IM, Z6951-XL and Z6955-XL	670240533608
Slim Aerators for Z6913-XL, Z6915-XL, Z6953-XL and Z6956-XL		
P6900-20ES	1.5 gpm Aerator	670240818750
P6900-20FS	0.5 gpm Spray Outlet	670240822481
P6900-20JS	1.5 gpm Laminar Flow Outlet	670240822573
P6900-20LS	1.0 gpm Aerator	670240822580
P6900-20MS	0.35 gpm spray outlet	670240822603
Aerators for Z6920-XL and Z6922-XL		
P6900-20E-GN	1.5 gpm Standard Vandal-Resistant Aerator	670240261389
P6900-20F-GN	0.5 gpm Vandal-Resistant Spray Outlet	670240609099
P6900-20J-GN	1.0 gpm Vandal-Resistant Laminar Flow Outlet	670240245273
P6900-20K-GN	1.0 gpm Vandal-Resistant Aerator	670240258860
P6900-20L-GN	0.5 gpm Vandal-Resistant Laminar Outlet	670240442405
P6900-20M-GN	0.35gpm Vandal-Resistant Aerator	670240709058
Aerators for Z6950-XL, Z6950-XL-IM and Z6955-XL		
P6930-20E	1.5 gpm Aerator	670240809130
P6930-20F	0.5 gpm Spray Outlet	670240809147
P6930-20J	1.5 gpm Laminar Flow Outlet	670240809154
P6930-20K	1.0 gpm Laminar Flow Outlet	670240809178
P6930-20L	0.5 gpm Laminar Outlet	670240809185
P6930-20M	0.35gpm Aerator	670240809192
P6930-20N	0.5 gpm Laminar Outlet	670240834156



P6900-20ES



P6900-20F-GN

PRODUCT NO.	DESCRIPTION	UPC
Mixing Tee and Mixing Valves		
P6900-ADM-XL	Above Deck Mixing Valve (XL)	670240861817
P6900-ADM-1-XL	Above Deck Mixing Valve (XL) w 4" Cover Plate	670240861824
P6900-ADM-2-XL	Above Deck Mixing Valve (XL) w 8" Cover Plate	670240861831
P6900-MV-XL	Lead-Compliant Manual Mixing Valve	670240387010
P6900-TMV-1-XL	Lead Compliant Thermostatic Mixing Valve for Single Faucet	670240387003
Goosenecks		
P6900-GA	3-1/2" Centerline Gooseneck Spout	670240554153
P6900-GB	5-3/8" Centerline Gooseneck Spout	670240537750
P6900-GC	8" Centerline Gooseneck Spout	670240563377
Cover Plates and Adapters		
P6900-CP4	4" Cover Plate	670240586758
P6900-CP8	8" Cover Plate	670240586765
P6900-MV-ADAP	Adapter for MV and TMV options	670240847583
Power Supplies		
P6900-CWB	Connecting Wire for Power Converter	670240586000
P6000-HW6	6 VDC A/C Hardwire Power Converter	670240533608
Hoses		
P6900-SH	Three-Piece Supply Hose Assembly	670240415935
P6900-SSH	Single Supply Hose (XL)	670240432789

SUFFIX	DESCRIPTION
Z6900 Series - Accessories	
-ACA	6 VDC A/C Plug-in Adapter for Battery Faucets Z6913-XL, Z6915-XL, Z6920-XL, Z6922-XL, Z6950-XL, Z6950-XL-IM, Z6951-XL and Z6955-XL
-ADM	Above-Deck Mixer
-ADM-1	Above-Deck Mixer with CP4
-ADM-2	Above-Deck Mixer with CP8
-CP4	4" Cover Plate
-CP8	8" Cover Plate
-CWB	6 VDC A/C Plug-in Adapter for Battery Faucets Z6913-XL, Z6915-XL, Z6920-XL, Z6922-XL, Z6950-XL, Z6950-XL-IM, Z6951-XL and Z6955-XL
-DSA	Drug Testing Applications
-E	1.5 gpm Vandal-Proof Aerator
-F	0.5 gpm Vandal-Proof Aerator
-HYD	Hydro-X Power Turbine Assembly for Battery Faucets Z6913-XL, Z6915-XL, Z6920-XL and Z6922-XL
-H4	4" Wrist Blade Handle for ADM
-J	1.5 gpm Laminar Flow
-K	1.0 gpm Laminar Flow
-L	1.0 gpm Vandal-Proof Aerator
-M	0.35 gpm spray outlet
-MV	Manual Mixing Valve
-SB	Surgical Bend
-SH	Three-Piece Supply Hose Assembly
-SSH	Single Supply Hose
-TMV-1	Thermostatic Mixing Valve for Single Faucet
-XT	Extended Range

When ordering parts, always list product number and description.
 XL suffix denotes a Lead-free product.

For additional product information, please visit www.zurn.com.



P6000-MV-XL



P6000-GA



P6000-GB



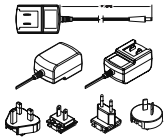
P6000-GC/-SB



P6000-CP4/-CP8



P6000-ADM-XL



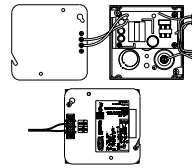
P6000-ACA



P6000-CWB



P6900-HYD



P6000-HW6



P6000-SH (Three-Piece)



P6000-SSH (Single Supply)

AQUASENSE® FAUCET CROSS REFERENCE GUIDE

Zurn provides this information for general cross reference purposes only. Zurn makes no representations regarding the quality, comparability, or compatibility of any competitor products listed. All information is subject to change without notice.

Zurn Product No.	Sloan** Product No.
Electronic Faucets	
Z6913-XL-ACA	ETF-80-P
Z6913-XL	ETF-80-B
Z6913-XL-ACA	ETF-880-P
Z6913-XL	ETF-880-B
Z6922-XL-ACA	ETF-500-P
Z6922-XL	ETF-500-B
Z6915-XL-ACA	ETF-600-P
Z6915-XL	ETF-600-B
Z6913-XL-ACA	ETF-610-P
Z6913-XL	ETF-610-B
Z6913-XL-ACA	ETF-660-P
Z6913-XL	ETF-660-B
Z6920-XL-ACA	ETF-700-P
Z6920-XL	ETF-700-B
Z6920-XL-ACA-SB	ETF-700S-P
Z6920-XL-SB	ETF-700S-B
Z6920-XL-ACA	ETF-770-P
Z6920-XL	ETF-770-B
Z6913-XL-ACA	SF-2100
Z6920-XL-ACA	SF-2200
Z6915-XL-ACA	SF-2300

Zurn Product No.	Sloan** Product No.
Battery Faucets	
Z6913-XL	EBF-85
Z6913-XL-ACA	EBF-85R
Z6913-XL	EBF-187
Z6913-XL-ACA	EBF-187R
Z6922-XL	EBF-550
Z6913-XL	EBF-615
Z6915-XL	EBF-650
Z6920-XL	EBF-750
Z6920-XL-SB	EBF-750S
Any E-Z Lav EcoVantage® Faucet	EAF-275
Any E-Z Lav EcoVantage® Faucet w/ADM	EAF-275 ISM
Z6913-XL	SF-2150
Z6920-XL	SF-2250
Z6915-XL	SF-2350

*Sloan® is a registered trademark of Sloan Valve Company. Sloan and the Sloan products listed are not associated with Zurn or Zurn's products. The brands and product names listed may be subject to the trademark rights of their respective owners. Use of the brands and names is for identification purposes only and does not imply affiliation with or endorsement by Zurn.

AQUASPEC® FAUCET BUILDER

How to order Zurn AquaSpec component parts to design your own faucet.



Z8 12 B 4 - 3F-(options)

Step 1 - Select Body and Operating Internals (Digits 2 and 3)	
Z81100	4" Centerset Lavatory Faucet
Z81100-P	4" Centerset Lavatory Faucet with Pop-Up Drain
Z81200	4" Centerset Gooseneck Faucet
Z81200-P	4" Centerset Gooseneck Faucet with Pop-Up Drain
Z82500	Single Laboratory Faucet
Z82600	Double Laboratory Faucet
Z83100	6" to 18" Widespread Adjustable Faucet
Z83100-ICT	8" Widespread Faucet with Interconnecting Copper Supply Tubes
Z84100	Service Sink Faucet with 2-1/2" Swivel Inlets and Integral Stops
Z84200	Sink Faucet with 7-1/4"-8-3/4" Adjustable Short Swivel Inlets
Z87100	Cast 8" Center Deck Kitchen Faucet
Z87100-HS	Cast 8" Center Deck Kitchen Faucet with Hose and Spray

Step 2 - Select Spout Selection (Digit 4)	
A	3-1/2" Centerline Gooseneck Spout
B	5-3/8" Centerline Gooseneck Spout
C	8" Centerline Gooseneck Spout
D	7-1/2" Cast Vacuum Breaker Spout with Bottom Support and Pipe Brace, Threaded Outlet and Pail Hook
E	Wall-Mounted 7-1/2" Cast Spout, Top Brace and Pail Hook
F	6" Cast Spout
G	8" Cast Spout
H	12" Tubular Spout
I	14" Tubular Spout
J	9-1/2" Tubular Spout
K	13" Double Jointed Spout
L	2-1/2" Vacuum Breaker Spout with 3/4" Threaded Outlet
M	6" Vacuum Breaker Spout with 3/4" Threaded Outlet, Brace and Pail Hook
N	6" Vacuum Breaker Spout with 3/4" Threaded Outlet and Pail Hook
P	2-1/2" Vacuum Breaker Spout with 3/8" Threaded Outlet
R	5" Low Profile Spout with Aerated Outlet
S	8" Bent Riser Spout with Aerated Outlet
T	4-1/2" Centerline Vacuum Breaker Spout with Aerated Outlet
U	6" Centerline Vacuum Breaker Spout with Aerated Outlet
V	8" Centerline Vacuum Breaker Spout with Aerated Outlet
W	Pre-rinse 3/8" x 44" Riser with a 7-3/8" Swing Arm, 24" Stainless Steel Hose and Pipe Support
X	Pre-rinse 3/8" x 23" Riser with a 36" Stainless Steel Spring Hose and Pipe Support
Y	6" Tubular Spout

Step 3 - Select Handle Selection (Digit 5)	
1	2-1/2" Vandal-Resistant Metal Lever Handle
2	Vandal-Resistant Metal Four-Arm Handle
3	Vandal-Resistant Metal Dome Lever Handle
4	4" Vandal-Resistant Metal Wrist Blade Handle
6	6" Vandal-Resistant Metal Wrist Blade Handle
7	Metal Tee Handle

Step 4 - Select Aerator and Options (Everything after the "-")	

AquaSpec faucets are composed of a body, spout, handle, aerator, and available options. These components come together as a single product sku by following the steps below. Available options are laid out on the following pages.

Step 1 - Select Faucet Body and Operating Internals (Digits 2 and 3)

Step 2 - Select Spout Type* (Digit 4)

When spout is not required, specify a "zero."

Step 3 - Select Handle Type* (Digit 5)

When handle is not required, specify a "zero."

Step 4 - Select Aerator and Options (Everything after the "-")

-1F Aerator regularly furnished (-1M for the "S" spout or G60525 for the -T, -U and -V spouts) unless otherwise specified. Neither -1F or -1M is required in product ID when ordering. All others should be noted.

Step 1 - Select Faucet Body and Operating Internals (Digits 2 and 3)

PRODUCT NO.	DESCRIPTION	UPC
Z81100-XL	4" Centerset Lavatory Faucet	670240501737
Z81100-XL-P	4" Centerset Lavatory Faucet and Pop-Up Drain	670240501720
Z81200-XL	4" Centerset Gooseneck Faucet	670240365315
Z81200-XL-P	4" Centerset Gooseneck Faucet and Pop-Up Drain	670240501713
Z82500-XL	Single Laboratory Faucet	670240691810
Z82600-XL	Double Laboratory Faucet	670240480735
Z83100-XL	6" to 18" Widespread Adjustable Faucet	670240365353
Z83100-XL-ICT	6" to 18" Widespread Adjustable Faucet with Interconnecting Copper Supply Tube	670240500617
Z84100-XL	Service Sink Faucet with 2-1/2" Swivel Inlets and Integral Stops	670240480766
Z84200-XL	Sink Faucet with 7-1/4"-8-3/4" Adjustable Short Swivel Inlets	670240501843
Z84300	Sink Faucet with 7-1/4"-8-3/4" Adjustable Short Swivel Inlets	670240579378
Z87100-XL	Cast 8" Center Deck Kitchen Faucet	670240365384
Z87100-XL-HS	Cast 8" Center Deck Kitchen Faucet with Hose and Spray	670240501393



Z81100-XL



Z81100-XL-P



Z81200-XL



Z81200-XL-P



Z82500-XL



Z82600-XL



Z83100-XL



Z83100-XL-ICT



Z84100-XL



Z84200-XL



Z84300



Z87100-XL



Z87100-XL-HS

Step 2 - Select Spout Type (Digit 4)

PRODUCT NO.	DESCRIPTION	SUFFIX	UPC
G67851	3-1/2" Centerline Gooseneck Spout	A	670240358737
G67852	5-3/8" Centerline Gooseneck Spout	B	670240358744
G67853	8" Centerline Gooseneck Spout	C	670240358751
G67890	6" Cast Brass Spout	F	670240370869
G67891	8" Cast Brass Spout	G	670240365377
G67892	12" Tubular Brass Swing Spout	H	670240370876
G67894	9-1/2" Tubular Brass Swing Spout	J	670240374751
G60526	2-1/2" Vacuum Breaker Spout with Integral 3/4" Hose Thread	L	670240414570
G67963	8" Bent Riser Spout	S	670240446373
G67991	6" Centerline Vacuum Breaker Spout	U	670240486546



G67851 - Spout "A"



G67852 - Spout "B"



G67853 - Spout "C"



G67890 - Spout "F"



G67891 - Spout "G"



G67892 - Spout "H"



G67894 - Spout "J"



G60526 - Spout "L"



G67963 - Spout "S"



G67991 - Spout "U"

Step 3 - Select Handle Type (Digit 5)

PRODUCT NO.	DESCRIPTION	SUFFIX	UPC
G61071	One 2-1/2" Lever Handle	1	670240418479
G60501	Two 2-1/2" Lever Handles	1	670240414495
G61072	One 3" Diameter Four-Arm Handle	2	670240418486
G60503	Two 3" Diameter Four-Arm Handles	2	670240414501
G60573	One 2" Dome Lever Handle	3	670240418554
G60515	Two 2" Dome Lever Handles	3	670240414549
G60574	One 4" Wrist Blade Handle	4	670240418561
G60504	Two 4" Wrist Blade Handles	4	670240414518
G60576	One 6" Wrist Blade Handle	6	670240418509
G60508	Two 6" Wrist Blade Handles	6	670240414525



G60501 - Handle "1"



G60503 - Handle "2"



G60515 - Handle "3"



G60504 - Handle "4"



G60508 - Handle "6"



G61701 - Handle "1"



G61702 - Handle "2"



G60573 - Handle "3"



G60574 - Handle "4"



G60576 - Handle "6"

Step 4 - Select Aerators and Options (Everything after the "-")

-1F Aerator regularly furnished (-1M for the "S" spout or G60525 for the -I, -U and -V spouts) unless otherwise specified. Neither -1F or -1M is required in product ID when ordering. All others should be noted.

PRODUCT NO.	DESCRIPTION	SUFFIX	FLOW RATE	UPC
Female Aerators				
G63504	Pressure Compensating Female Aerator	1F	2.2 gpm	670240511781
G62619	Vandal-Resistant Female Aerator	2F	2.2 gpm	670240426832
G62620	Vandal-Resistant Female Spray Outlet	3F	0.5 gpm	670240426696
G62621	Vandal-Resistant Female Laminar Flow Outlet	4F	2.2 gpm	670240426733
G63258	Female Serrated Tip for a Male Spout	6F	-	670240458017
G66696	Pressure Compensating Female Spray Outlet	7F	1.0 gpm	670240659469
G65509	Female Aspirator Pump for Goosenecks	8F	-	670240540811
G63511	Female Rotating Aerator	9F	2.2 gpm	670240511859
G66601	Female Spout End Vacuum Breaker for Goosenecks	12F	-	670240545588
G66625	Full Flow Female Outlet	15F	-	670240579187
G66697	Vandal-Resistant Pressure Compensating Female Spray Outlet	16F	1.0 gpm	670240664241
G66695	Vandal-Resistant Pressure Compensating Female Aerator	17F	1.5 gpm	670240659452
G66700	Vandal-Resistant Pressure Compensating Female Laminar Flow	18F	1.5 gpm	670240664272
G67817	Vandal-Resistant Female Laminar Flow Outlet	22F	1.0 gpm	670240232990
G68015	Vandal Resistant Non-Aerated Female Flow Outlet	25F	.35 gpm	670240494305
G68047	Female Laminar Flow Outlet	27F	0.5 gpm	670240828551
G68049	Vandal Resistant Female Laminar Flow Outlet	28F	0.5 gpm	670240828575



G63504 - Aer "-1F"



G62619 - Aer "-2F"



G62620 - Aer "-3F"



G62621 - Aer "-4F"



G63258 - Aer "-6F"



G66696 - Aer "-7F"



G65509 - Aer "-8F"



G63511 - Aer "-9F"



G66601 - Aer "-12F"



G66625 - Aer "-15F"



G66697 - Aer "-16F"



G66695 - Aer "-17F"



G66700 - Aer "-18F"



G67817 - Aer "-22F"



G68015 - Aer "-25F"



G68047 - Aer "-27F"



G68049 - Aer "-28F"

PRODUCT NO.	DESCRIPTION	SUFFIX	FLOW RATE	UPC
Male Aerators				
G63505	Pressure Compensating Male Aerator	1M	2.2 gpm	670240511798
G63506	Vandal-Resistant Male Aerator	2M	2.2 gpm	670240511804
G63507	Vandal-Resistant Male Spray Outlet	3M	0.5 gpm	670240511811
G63508	Vandal-Resistant Male Laminar Flow Outlet	4M	2.2 gpm	670240511828
G61318	Male Serrated Tip for a Female Spout	6M	-	670240418431
G63561	13/16"-27 Male Spray Outlet	7M	1.0 gpm	670240526679
G65508	Male Aspirator Pump for Laboratory Spouts (T, U, V)	8M	-	670240540828
G63411	Male Rotating Aerator	9M	2.2 gpm	670240499478
G66602	Male Spout End Vacuum Breaker for Laboratory Spouts (T, U, and V)	12M	-	670240545595
G60525	Aerator P Adapter for the T, U, and V Spouts	13M	2.2 gpm	670240418615
G66626	Male Full Flow Outlet	15M	-	670240579194
G66698	Vandal-Resistant Pressure Compensating Male Spray Outlet	16M	1.0 gpm	670240664258
G66699	Vandal-Resistant Pressure Compensating Male Aerator	17M	1.5 gpm	670240664265
G66701	Vandal-Resistant Pressure Compensating Male Laminar Flow	18M	1.5 gpm	670240664289
G67815	Vandal Resistant Male Laminar Outlet	22M	1.0 gpm	670240232976
G68014	Vandal Resistant Non-Aerated Male Flow Outlet	25M	0.35 gpm	670240494282
G68046	Male Laminar Flow Outlet	27M	0.5 gpm	670240828544
G68048	Vandal Resistant Male Laminar Flow Outlet	28M	0.5 gpm	670240828568



AQUASPEC® COMMERCIAL PRODUCT SUFFIXES

SUFFIX	DESCRIPTION
-AF	Add-On Faucet for Pre-Rinse Units (Same as Z800J2-AF)
-AMF	ZurnSHIELD™ Handle (2-1/2" Lever Handles)
-AMF	ZurnSHIELD Handle (4" Wrist Blade Handles)
-CP4	Chrome-Plated 4" Cover Plate
-CP8	Chrome-Plated 8" Cover Plate
-CR	12" [305mm] Flexible Closet Riser
-CS	Check Stops for Back-Mounted and Deck-Mounted Sink Faucets
-CS	Check Stops for Gas Cocks
-CST	3/8" Copper Supply Tubes for Z822, Z823, Z824, and Z826 Series Only
-DI3	Glass Filler (Z83500) with a 13" Height
-EVB	Elevated 1/2" Vacuum Breaker with Swivel Inlets (Same as Z80000-EVB)
-FC2.0	2.0 gpm [7.6L] Laminar Flow Control in Base of Spout for Goosenecks Only/ Plain End is Provided with Option
-FC1.5	1.5 gpm [5.7 L] Laminar Flow Control in Base of Spout for Goosenecks Only/ Plain End is Provided with Option
-FC1.0	1.0 gpm [3.8 L] Laminar Flow Control in Base of Spout for Goosenecks Only/ Plain End is Provided with Option
-FC0.5	0.5 gpm [1.9 L] Flow Control in Base of Spout for Goosenecks Only/Plain End is Provided with Option
-G	1-1/4" [32mm] Grid Strainer Drain
-HK	Supply Ell Hose Hook (Same as Z80000-HK)
-HS	Hose and Spray for Kitchen Faucets (Z823, Z824, Z831, Z871 Only)
-HS6	6' Hose and Spray for Kitchen Faucet (Z831, Z871 Only)
-H36	36" Stainless Steel Hose for Pre-Rinse
-H48	48" Stainless Steel Hose for Pre-Rinse
-H60	60" Stainless Steel Hose for Pre-Rinse
-ICT	Interconnecting Copper Supply Tubes (Widespreads Only)
-IN	Metering Institutional Handle
-IS	Integral Stops for Concealed Shower Valve Unit
-J18	18" Centerline Tubular Brass Swing Spout
-LR	12" [305mm] Flexible Lavatory Riser
-LSI	2-1/2" [64mm] Long Swivel Inlets with Integral Stops
-LVB	Less Vacuum Breaker (For D and M Spouts)
-MY	Mixing Yoke
-MYCS	Mixing Yoke with Check Stops
-P	1-1/4" [32mm] Pop-Up Drain
-PE	Plain End (For D Spout Only)
-PRI	Pre-Rinse Spray Head with Rubber Bumper Spray Outlet and Self-Closing Valve
-PSH	Pre-Rinse Spray Head Hook
-RB	Rough Brass (Not available for all faucets.)
-RS	Riser Support Bracket for Pre-Rinse Riser Tube 3/8" (Same as Z80000-RS)
-RC	Rough Chrome Plated (Not available for all faucets.)
-RKR	Metering ADA Compliant Rocker Handle
-R23	Pre-Rinse 3/8" x 23" Riser Tube
-SE	Supply Ell (Same as Z80000-SE)
-SH	Bedpan Spray with 4' Vinyl Hose, Rubber Bumper Spray Outlet and Insulated Handle
-SH2	Bedpan Spray with 4' Vinyl Hose, Rubber Bumper Angled Spray Outlet and Insulated Handle
-TMV-4P	Aqua-Gard Thermostatic Mixing Valve
-TW	Third Waterway for Widespreads Only
-VB	In-Line Vacuum Breaker for 3/4" Hose Thread Sill Faucets and 3/4" Hose Outlets
-VC	Volume Control for Wall-Mounted Foot Pedal Valve (Same as Z80000-VC)
-VH36	36" Vinyl Hose for Bedpan Washers

SUFFIX	DESCRIPTION
-VH48	48" Vinyl Hose for Bedpan Washers
-VH72	72" Vinyl Hose for Bedpan Washers
-WHK	Wall Hook for Service Sink Hoses
-WM	Wall Mounted for Z812 and Z871 Series
-WM	Wall Mounted for Z82800 Series
-WM	Wall Mounted for Z83500 Series
-1F	2.2 gpm [8.3 L] Pressure Compensating Female Aerator
-1M	2.2 gpm [8.3 L] Pressure Compensating Male Aerator
-2F	2.2 gpm [8.3 L] Vandal-Resistant Female Aerator
-2M	2.2 gpm [8.3 L] Vandal-Resistant Male Aerator
-2XT	2" Extension for Service Sink Faucets
-3B	Three Low Pressure Gas Valves with Indexes for Turret Combo
-3F	.5 gpm [1.9 L] Vandal-Resistant Female Spray Outlet
-3M	.5 gpm [1.9 L] Vandal-Resistant Male Spray Outlet
-4B	Four Low Pressure Gas Valves with Indexes for Turret Combo
-4F	2.2 gpm [8.3 L] Vandal-Resistant Female Laminar Flow
-4M	2.2 gpm [8.3 L] Vandal-Resistant Male Laminar Flow
-5H	5' [152cm] Long Vinyl Hose Service Sink Hose w/3/4" Hose Connection
-5XT	5" Extension for Service Sink Faucets
-6F	Serrated Tip for Female Spout
-6M	Serrated Tip for Laboratory Spouts (T, U, and V)
-7F	1.0 [3.8 L] Pressure Compensating Female Spray Outlet
-7M	1.0 [3.8 L] Pressure Compensating Male Spray Outlet
-8F	Female Aspirator Pump for Goosenecks
-8M	3/8" NPT Male Aspirator Pump for Laboratory Spouts (T, U, and V)
-9F	2.0 gpm [7.6 L] Female Rotating Aerator
-9M	2.0 gpm [7.6 L] Male Rotating Aerator
-10F	3/4" [19mm] Female Garden Hose Connection (Recommended for Vacuum Breaker Spouts)
-10M	3/4" [19mm] Male Garden Hose Connection (Recommended for Vacuum Breaker Spouts)
-12F	Spout End Vacuum Breaker for Gooseneck Spouts
-12M	Spout End Vacuum Breaker for Laboratory Spouts (T, U, and V)
-13F	2.0 gpm [7.6 L] Aerator P Female Adapter for Laboratory Spouts (T, U, and V)
-13M	2.0 gpm [7.6 L] Aerator P Male Adapter for Laboratory Spouts (T, U, and V)
-15F	Full Flow Female Outlet
-15M	Full Flow Male Outlet
-16F	1.0 gpm [3.8 L] Vandal-Resistant Female Spray Outlet
-16M	1.0 gpm [3.8 L] Vandal-Resistant Male Spray Outlet
-17F	1.5 gpm [5.7 L] Vandal-Resistant Female Aerator
-17M	1.5 gpm [5.7 L] Vandal-Resistant Male Aerator
-18F	1.5 gpm [5.7 L] Pressure Compensating Female Laminar Flow
-18M	1.5 gpm [5.7 L] Pressure Compensating Male Laminar Flow
-22F	1.0 gpm [3.8 L] Vandal-Resistant Female Laminar Flow Outlet
-22M	1.0 gpm [3.8 L] Vandal-Resistant Male Laminar Flow Outlet
-25F	0.35 gpm [1.3 L] Vandal-Resistant Non-Aerated Female Flow Outlet
-25M	0.35 gpm [1.3 L] Vandal-Resistant Non-Aerated Male Flow Outlet
-27F	0.5 gpm [1.9 L] Female Laminar Flow Outlet
-27M	0.5 gpm [1.9 L] Male Laminar Flow Outlet
-28F	0.5 gpm [1.9 L] Vandal-Resistant Female Laminar Flow Outlet
-28M	0.5 gpm [1.9L] Vandal-Resistant Male Laminar Flow Outlet

FLOOR VALVES

FAUCETS

TEMP-GARD®

TUBULAR BRASS

FIXTURES

AQUAPARTS® REPAIR PARTS AND ASSEMBLIES

AQUASPEC® COMMERCIAL PRODUCTS

PRODUCT NO.	DESCRIPTION	OPTIONAL ACCESSORIES	CASE QTY.	WEIGHT (LBS.)	UPC
4" Centerset Lavatory Faucets					
Z81101-XL	4" Centerset with lever handles	-G, -P, -2M, -3M, -4M, -16M, -17M, -18M, -21M, -22M, -23M	6	4	670240366749
Z81102-XL	4" Centerset with four arm handles	-G, -P, -2M, -3M, -4M, -16M, -17M, -18M, -21M, -22M, -23M	6	4	670240366855
Z81103-XL	4" Centerset with dome lever handles	-G, -P, -2M, -3M, -4M, -16M, -17M, -18M, -21M, -22M, -23M	6	4	670240366961
Z81104-XL	4" Centerset with 4" wrist blade handles	-G, -P, -2M, -3M, -4M, -16M, -17M, -18M, -21M, -22M, -23M	6	4	670240367098
4" Centerset Gooseneck Faucets					
Z812A1-XL	4" Centerset with 3-1/2" gooseneck and lever handles	-FC, -G, -WM, -2F, -3F, -4F, -16F, -17F, -18F, -21F, -22F, -23F	6	4.5	670240367265
Z812A3-XL	4" Centerset with 3-1/2" gooseneck and dome lever handles	-FC, -G, -2F, -3F, -4F, -16F, -17F, -18F, 21F, 22F, -23F	6	4.5	670240367371
Z812A4-XL	4" Centerset with 3-1/2" gooseneck and 4" wrist blade handles	-FC, -G, -WM, -2F, -3F, -4F, -16F, -17F, -18F, -21F, -22F, -23F	6	4.5	670240365322
Z812B1-XL	4" Centerset with 5-3/8" gooseneck and lever handles	-FC, -G, -WM, -2F, -3F, -4F, -16F, -17F, -18F, -21F, -22F, -23F	6	4.5	670240367531
Z812B3-XL	4" Centerset with 5-3/8" gooseneck and dome lever handles	-FC, -G, -2F, -3F, -4F, -16F, -17F, -18F, 21F, -22F, -23F	6	4.5	670240367616
Z812B4-XL	4" Centerset with 5-3/8" gooseneck and 4" wrist blade handles	-FC, -G, -WM, -2F, -3F, -4F, -16F, -17F, -18F, -21F, -22F, -23F	6	5	670240367630
Z812C1-XL	4" Centerset with 8" gooseneck and lever handles	-FC, -G, -WM, -2F, -3F, -4F, -16F, -17F, -18F, -21F, -22F, -23F	6	5	670240367968
Z812C3-XL	4" Centerset with 8" gooseneck and dome lever handles	-FC, -G, -2F, -3F, -4F, -16F, -17F, -18F, -21F, -22F, -23F	6	5	670240367982
Z812C4-XL	4" Centerset with 8" gooseneck and 4" wrist blade handles	-FC, -G, -WM, -2F, -3F, -16F, -17F, -18F, -21F, -22F, -23F	6	5	670240367999



PRODUCT NO.	DESCRIPTION	OPTIONAL ACCESSORIES	CASE QTY.	WEIGHT (LBS.)	UPC
4" Centerset Cast Spout Faucets					
Z812F1-XL	4" Centerset with 6" cast spout and lever handles	-G, -P, -WM, -2F, -3F, -4F, -16F, -17F, -18F, 21F, -22F, -23F	6	4.5	670240370999
Z812F4-XL	4" Centerset with 6" cast spout and 4" wrist blade handles	-G, -P, -WM, -2F, -3F, -4F, -16F, -17F, -18F, 21F, -22F, -23F	6	4.5	670240371040
Z812G1-XL	4" Centerset with 8" cast spout and lever handles	-G, -P, -WM, -2F, -3F, -4F, -16F, -17F, -18F, 21F, -22F, -23F	6	4.5	670240368057
Z812G3-XL	4" Centerset with 8" cast spout and dome lever handles	-G, -P, -WM, -2F, -3F, -4F, -16F, -17F, -18F, 21F, -22F, -23F	6	4.5	670240368071
Z812G4-XL	4" Centerset with 8" cast spout and 4" wrist blade handles	-G, -P, -WM, -2F, -3F, -4F, -16F, -17F, -18F, 21F, -22F, -23F	6	4.5	670240368095
4" Centerset Tubular Spout Faucets					
Z812H1-XL	4" Centerset with 12" tubular spout and lever handles	-G, -P, -WM, -2F, -3F, -4F, -16F, -17F, -18F, 21F, -22F, -23F	6	4.5	670240368347
Z812H3-XL	4" Centerset with 12" tubular spout and dome lever handles	-G, -P, -2F, -3F, -4F, -16F, -17F, -18F, 21F, -22F, -23F	6	4.5	670240371071
Z812H4-XL	4" Centerset with 12" tubular spout and 4" wrist blade handles	-G, -P, -WM, -2F, -3F, -4F, -16F, -17F, -18F, 21F, -22F, -23F	6	4.5	670240371088
Z812J1-XL	4" Centerset with 9-1/2" tubular spout and lever handles	-G, -P, -WM, -2F, -3F, -4F, -16F, -17F, -18F, 21F, -22F, -23F	6	4.5	670240371149
Z812J3-XL	4" Centerset with 9-1/2" tubular spout and dome lever handles	-G, -P, -2F, -3F, -4F, -16F, -17F, -18F, 21F, -22F, -23F	6	4.5	670240371163
Z812J4-XL	4" Centerset with 9-1/2" tubular spout and 4" wrist blade handles	-G, -P, -WM, -2F, -3F, -4F, -16F, -17F, -18F, 21F, -22F, -23F	6	4.5	670240371187



PRODUCT NO.	DESCRIPTION	OPTIONAL ACCESSORIES	CASE QTY.	WEIGHT (LBS.)	UPC
4" Centerset Vacuum Breaker Spout Faucets					
Z812U1-XL	4" Centerset with 6" vacuum breaker spout and lever handles	-FC, -G, -P, -WM, -2F, -3F, -4F, -6M, -16F, -17F, -18F, -21F, -22F, -23F	6	4.5	-
Z812U4-XL	4" Centerset with 6" vacuum breaker spout and 4" wrist blade handles	-FC, -G, -P, -WM, -2F, -3F, -4F, -6M, -16F, -17F, -18F, -21F, -22F, -23F	6	4.5	670240931763
4" Centerset Bent Riser Spout Faucets					
Z812S1-XL	4" Centerset with 8" bent riser spout and lever handles	-FC, -G, -P, -WM, -2M, -3M, -4M, -16M, -17M, -18M, -21M, -22M, -23M	6	4.5	670240493292
Z812S3-XL	4" Centerset with 8" bent riser spout and dome lever handles	-FC, -G, -P, -2M, -3M, -4M, -16M, -17M, -18M, -21M, -22M, -23M	6	4.5	670240493322
Z812S4-XL	4" Centerset with 8" bent riser spout and 4" wrist blade handles	-FC, -G, -P, -2M, -3M, -4M, -16M, -17M, -18M, -21M, -22M, -23M	6	4.5	670240493353
4" Centerset Metering Faucets					
Z86500-XL	4" Centerset metering faucet	-G, -IN, -RKR, -3M, -16M	6	5	670240373150
Z866B0-XL	4" Centerset metering faucet with 5-3/8" gooseneck	-G, -IN, -RKR, -3F, -16F	6	6	670240374669



PRODUCT NO.	DESCRIPTION	OPTIONAL ACCESSORIES	CASE QTY.	WEIGHT (LBS.)	UPC
Sink Gooseneck Faucets					
Z842A1-XL	Sink faucet with 3-1/2" gooseneck and lever handles	-FC, -LSI, -2F, -3F, -4F, -16F, -17F, -18F, -21F, -22F, -23F	1	5	670240371996
Z842A4-XL	Sink faucet with 3-1/2" gooseneck and 4" wrist blade handles	-FC, -LSI, -2F, -3F, -4F, -16F, -17F, -18F, -21F, -22F, -23F	1	5.5	670240372047
Z842B1-XL	Sink faucet with 5-3/8" gooseneck and lever handles	-FC, -LSI, -2F, -3F, -4F, -16F, -17F, -18F, -21F, -22F, -23F	1	5.5	670240372153
Z842B2-XL	Sink faucet with 5-3/8" gooseneck and four-arm handles	-FC, -LSI, -2F, -3F, -4F, -16F, -17F, -18F, -21F, -22F, -23F	1	5.5	670240372160
Z842B4-XL	Sink faucet with 5-3/8" gooseneck and 4" wrist blade handles	-FC, -LSI, -2F, -3F, -4F, -16F, -17F, -18F, -21F, -22F, -23F	1	5.5	670240372184
Z842C1-XL	Sink faucet with 8" gooseneck and lever handles	-FC, -LSI, -2F, -3F, -4F, -16F, -17F, -18F, -21F, -22F, -23F	1	5.5	670240372245
Z842C4-XL	Sink faucet with 8" gooseneck and 4" wrist blade handles	-FC, -LSI, -2F, -3F, -4F, -16F, -17F, -18F, -21F, -22F, -23F	1	5.5	670240372276
Sink Cast Spout Faucets					
Z842F1-XL	Sink faucet with 6" cast spout and lever handles	-LSI, -2F, -3F, -4F, -16F, -17F, -18F, -21F, -22F, -23F	1	5	670240372306
Z842F2-XL	Sink faucet with 6" cast spout and four-arm handles	-LSI, -2F, -3F, -4F, -16F, -17F, -18F, -21F, -22F, -23F	1	5	670240372344
Z842F4-XL	Sink faucet with 6" cast spout and 4" wrist blade handles	-LSI, -2F, -3F, -4F, -16F, -17F, -18F, -21F, -22F, -23F	1	5.5	670240372368
Z842G4-XL	Sink faucet with 8" cast spout and 4" wrist blade handles	-LSI, -2F, -3F, -4F, -16F, -17F, -18F, -21F, -22F, -23F	1	5.5	670240372672
Sink Tubular Spout Faucets					
Z842H1-XL	Sink faucet with 12" tubular spout and lever handles	-LSI, -2F, -3F, -4F, -16F, -17F, -18F, -21F, -22F, -23F	1	5.5	670240372726
Z842H4-XL	Sink faucet with 12" tubular spout and 4" wrist blade handles	-LSI, -2F, -3F, -4F, -16F, -17F, -18F, -21F, -22F, -23F	1	5.5	670240372818
Z842I1-XL	Sink faucet with 14" tubular spout and lever handles	-LSI, -2F, -3F, -4F, -16F, -17F, -18F, -21F, -22F, -23F	1	5.5	670240372849
Z842I4-XL	Sink faucet with 14" tubular spout and 4" wrist blade handles	-LSI, -2F, -3F, -4F, -16F, -17F, -18F, -21F, -22F, -23F	1	5.5	670240372863
Z842J1-XL	Sink faucet with 9-1/2" tubular spout and lever handles	-LSI, -2F, -3F, -4F, -16F, -17F, -18F, -21F, -22F, -23F	1	5.5	670240372887
Z842J3-XL	Sink faucet with 9-1/2" tubular spout and dome lever handles	-LSI, -2F, -3F, -4F, -16F, -17F, -18F, -21F, -22F, -23F	1	5.5	670240372924
Z842J4-XL	Sink faucet with 9-1/2" tubular spout and 4" wrist blade handles	-LSI, -2F, -3F, -4F, -16F, -17F, -18F, -21F, -22F, -23F	1	5.5	670240372931



PRODUCT NO.	DESCRIPTION	OPTIONAL ACCESSORIES	CASE QTY.	WEIGHT (LBS.)	UPC
Sink Vacuum Breaker Spout Faucets					
Z842U1-XL	Sink faucet with 6" vacuum breaker spout and lever handles	-FC, -LSI, -2F, -3F, -4F, -6M, -16F, -17F, -18F, -21F, -22F, -23F	1	7	670240492790
Z842U2-XL	Sink faucet with 6" vacuum breaker spout and four- arm handles	-FC, -LSI, -2F, -3F, -4F, -6M, -16F, -17F, -18F, -21F, -22F, -23F	1	7	670240492806
Z842U4-XL	Sink faucet with 6" vacuum breaker spout and 4" wrist blade handles	-FC, -LSI, -2F, -3F, -4F, -6M, -16F, -17F, -18F, -21F, -22F, -23F	1	7	670240492813



Z842U1-XL



Z842U2-XL



Z842U4-XL

PRODUCT NO.	DESCRIPTION	OPTIONAL ACCESSORIES	CASE QTY.	WEIGHT (LBS.)	UPC
Widespread Gooseneck Faucets					
Z831A1-XL	Widespread with 3-1/2" gooseneck and lever handles	-FC, -G, -HS, -HS6, -ICT, -2F, -3F, -4F, -16F, -17F, -18F, -21F, -22F, -23F	6	6	670240368217
Z831A4-XL	Widespread with 3-1/2" gooseneck and 4" wrist blade handles	-FC, -G, -HS, -HS6, -ICT, -2F, -3F, -4F, -16F, -17F, -18F, -21F, -22F, -23F	6	6	670240365414
Z831B1-XL	Widespread with 5-3/8" gooseneck and lever handles	-FC, -G, -HS, -HS6, -ICT, -2F, -3F, -4F, -16F, -17F, -18F, -21F, -22F, -23F	6	6	670240368538
Z831B4-XL	Widespread with 5-3/8" gooseneck and 4" wrist blade handles	-FC, -G, -HS, -HS6, -ICT, -2F, -3F, -4F, -16F, -17F, -18F, -21F, -22F, -23F	6	6	670240365407
Z831C1-XL	Widespread with 8" gooseneck and lever handles	-FC, -G, -HS, -HS6, -ICT, -2F, -3F, -4F, -16F, -17F, -18F, -21F, -22F, -23F	6	6.5	670240369191
Z831C3-XL	Widespread with 8" gooseneck and dome lever handles	-FC, -G, -HS, -HS6, -ICT, -2F, -3F, -4F, -16F, -17F, -18F, -21F, -22F, -23F	6	6.5	670240369313
Z831C4-XL	Widespread with 8" gooseneck and 4" wrist blade handles	-FC, -G, -HS, -HS6, -ICT, -2F, -3F, -4F, -16F, -17F, -18F, -21F, -22F, -23F	6	6.5	670240369382
Widespread Cast Spout Faucets					
Z831G1-XL	Widespread with 8" cast spout and lever handles	-G, -HS, -HS6, -ICT, -2F, -3F, -4F, -16F, -17F, -18F, -21F, -22F, -23F	6	6.5	670240369665
Z831G3-XL	Widespread with 8" cast spout and dome lever handles	-G, -HS, -HS6, -ICT, -2F, -3F, -4F, -16F, -17F, -18F, -21F, -22F, -23F	6	6.5	670240369733
Z831G4-XL	Widespread with 8" cast spout and 4" wrist blade handles	-G, -HS, -HS6, -ICT, -2F, -3F, -4F, -16F, -17F, -18F, -21F, -22F, -23F	6	6.5	670240369795
Z831R1-XL	Widespread with 5" cast spout and lever handles	-G, -HS6, -ICT, -2M, -3M, -4M, -16M, -17M, -18M, -21M, -22M, -23M	6	6	670240369894
Z831R4-XL	Widespread with 5" cast spout and 4" wrist blade handles	-G, -HS6, -ICT, -2M, -3M, -4M, -16M, -17M, -18M, -21M, -22M, -23M	6	6	670240370494



Z831A1-XL



Z831A4-XL



Z831B1-XL



Z831B4-XL



Z831C3-XL



Z831C4-XL



Z831G1-XL



Z831G3-XL



Z831G4-XL



Z831R1-XL



Z831R4-XL

PRODUCT NO.	DESCRIPTION	OPTIONAL ACCESSORIES	CASE QTY.	WEIGHT (LBS.)	UPC
Widespread Tubular Spout Faucets					
Z831H1-XL	Widespread with 12" tubular spout and lever handles	-G, -HS, -HS6, -ICT, -P, -2F, -3F, -4F, -16F, -17F, -18F, -21F, -22F, -23F	6	6.5	670240369887
Z831H4-XL	Widespread with 12" tubular spout and 4" wrist blade handles	-G, -HS, -HS6, -ICT, -P, -2F, -3F, -4F, -16F, -17F, -18F, -21F, -22F, -23F	6	6.5	670240371446
Z831J1-XL	Widespread with 9-1/2" tubular spout and 4" wrist blade handles	-G, -HS, -HS6, -ICT, -P, -2F, -3F, -4F, -16F, -17F, -18F, -21F, -22F, -23F	6	6.5	670240371491
Z831J3-XL	Widespread with 9-1/2" tubular spout and dome lever handles	-G, -HS, -HS6, -ICT, -P, -2F, -3F, -4F, -16F, -17F, -18F, -21F, -22F, -23F	6	6.5	670240371613
Z831J4-XL	Widespread with 9-1/2" tubular spout and 4" wrist blade handles	-G, -HS, -HS6, -ICT, -P, -2F, -3F, -4F, -16F, -17F, -18F, -21F, -22F, -23F	6	6.5	670240371699
Widespread Bent Riser Spout Faucets					
Z831S1-XL	Widespread with 8" bent riser spout and lever handles	-G, -HS6, -HS8, -ICT, -P, -2M, -3M, -4M, -16M, -17M, -18M, -21M, -22M, -23M	6	6	670240493384
Z831S3-XL	Widespread with 8" bent riser spout and dome lever handles	-G, -HS6, -HS8, -ICT, -P, -2M, -3M, -4M, -16M, -17M, -18M, -21M, -22M, -23M	6	6	670240493414
Z831S4-XL	Widespread with 8" bent riser spout and 4" wrist blade handles	-G, -HS6, -HS8, -ICT, -P, -2M, -3M, -4M, -16M, -17M, -18M, -21M, -22M, -23M	6	6	670240493445
Widespread Vacuum Breaker Faucets					
Z831U1-XL	Widespread with 6" vacuum breaker spout and lever handles	-FC, -G, -HS6, -HS8, -ICT, -P, -2F, -3F, -4F, -6M, -16F, -17F, -18F, -21F, -22F, -23F	6	6	670240493506
Z831U2-XL	Widespread with 6" vacuum breaker spout and four-arm handles	-FC, -G, -HS6, -HS8, -ICT, -P, -2F, -3F, -4F, -6M, -16F, -17F, -18F, -21F, -22F, -23F	6	6	670240493520
Z831U4-XL	Widespread with 6" vacuum breaker spout and 4" wrist blade handles	-FC, -G, -HS6, -HS8, -ICT, -P, -2F, -3F, -4F, -6M, -16F, -17F, -18F, -21F, -22F, -23F	6	6	670240493537
Widespread Metering Faucets					
Z867A0-XL	Widespread metering faucet with 3-1/2" gooseneck	-G, -ICT, -IN, -RKR, -3F, -16F	6	6	670240373198
Z867B0-XL	Widespread metering faucet with 5-3/8" gooseneck	-G, -ICT, -IN, -RKR, -3F, -16F	6	6.5	670240373211
Z867C0-XL	Widespread metering faucet with 8" gooseneck	-G, -ICT, -IN, -RKR, -3F, -16F	6	6.5	670240373273
Z867R0-XL	Widespread metering faucet with 5" low-profile spout	-G, -ICT, -IN, -RKR, -3M, -16M	6	6.5	670240372566



AquaSpec® Commercial Product Suffixes on page 59
 XL suffix denotes a Lead-free product.

For additional product information, please visit www.zurn.com.

PRODUCT NO.	DESCRIPTION	OPTIONAL ACCESSORIES	CASE QTY.	WEIGHT (LBS.)	UPC
Deck-mounted Faucets					
Z821A0-XL	Deck-mounted 3-1/2" gooseneck spout	-FC, -2F, -3F, -4F, -16F, -17F, -18F, -21F, -22F, -23F	1	2	670240491786
Z821B0-XL	Deck-mounted 5-3/8" gooseneck spout	-FC, -2F, -3F, -4F, -16F, -17F, -18F, -21F, -22F, -23F	1	2	670240491823
Z821C0-XL	Deck-mounted 8" gooseneck spout	-FC, -2F, -3F, -4F, -16F, -17F, -18F, -21F, -22F, -23F	1	2.5	670240491847
Z821U0-XL	Deck-mounted 6" vacuum breaker spout	-FC, -2F, -3F, -4F, -16F, -17F, -18F, -21F, -22F, -23F	1	2.5	670240491878
Back-mounted Faucets					
Z843J1-XL	Back-mounted faucet with 9-1/2" tubular spout and lever handles	-LSI, -2F, -3F, -4F, -16F, -17F, -18F, -21F, -22F, -23F	6	5.5	670240492677
Z843J4-XL	Back-mounted faucet with 9-1/2" tubular spout and wrist blade handles	-LSI, -2F, -3F, -4F, -16F, -17F, -18F, -21F, -22F, -23F	6	5.5	670240492684
Wall-mounted Faucets					
Z80300-XL	Wall-mounted single metering sink faucet	-IN	1	2	670240482951
Z812J4-XL-WM	Wall-mounted 4" Centerset with 9-1/2" tubular spout and 4" wrist blade handles	-2F, -3F, -4F, -16F, -17F, -18F, 21F, -22F, -23F	6	4.5	670240371194
Z821A0-XL-WM	Wall-mounted 3-1/2" gooseneck spout	-FC, -2F, -3F, -4F, -16F, -17F, -18F, -21F, -22F, -23F	1	2	670240491793
Z821B0-XL-WM	Wall-mounted 5-3/8" gooseneck spout	-FC, -2F, -3F, -4F, -16F, -17F, -18F, -21F, -22F, -23F	1	2	670240491830
Z821C0-XL-WM	Wall-mounted 8" gooseneck spout	-FC, -2F, -3F, -4F, -16F, -17F, -18F, -21F, -22F, -23F	1	2.5	670240491854
Z875B2	Wall-mounted lab faucet with 5-3/8" gooseneck spout and four-arm handle	-2F, -3F, -4F, -12F, -16F, -17F, -18F, -21F, -22F, -23F	1	2	889934094312
Z875F1	Wall-mounted faucet with 6" cast spout and lever handle	-2F, -3F, -4F, -16F, -17F, -18F, -21F, -22F, -23F	6	2.5	889934119688
Z875U2	Wall-mounted lab faucet with 6" vacuum breaker spout and four-arm handle	-2F, -3F, -4F, -6M -16F, -17F, -18F, -21F, -22F, -23F	1	2.5	889934120448



Z821A0-XL



Z821B0-XL



Z821C0-XL



Z821U0-XL



Z843J1-XL



Z843J4-XL



Z80300-XL



Z812J4-XI-WM



Z821A0-XL-WM



Z821B0-XL-WM



Z821C0-XL-WM



Z875B2

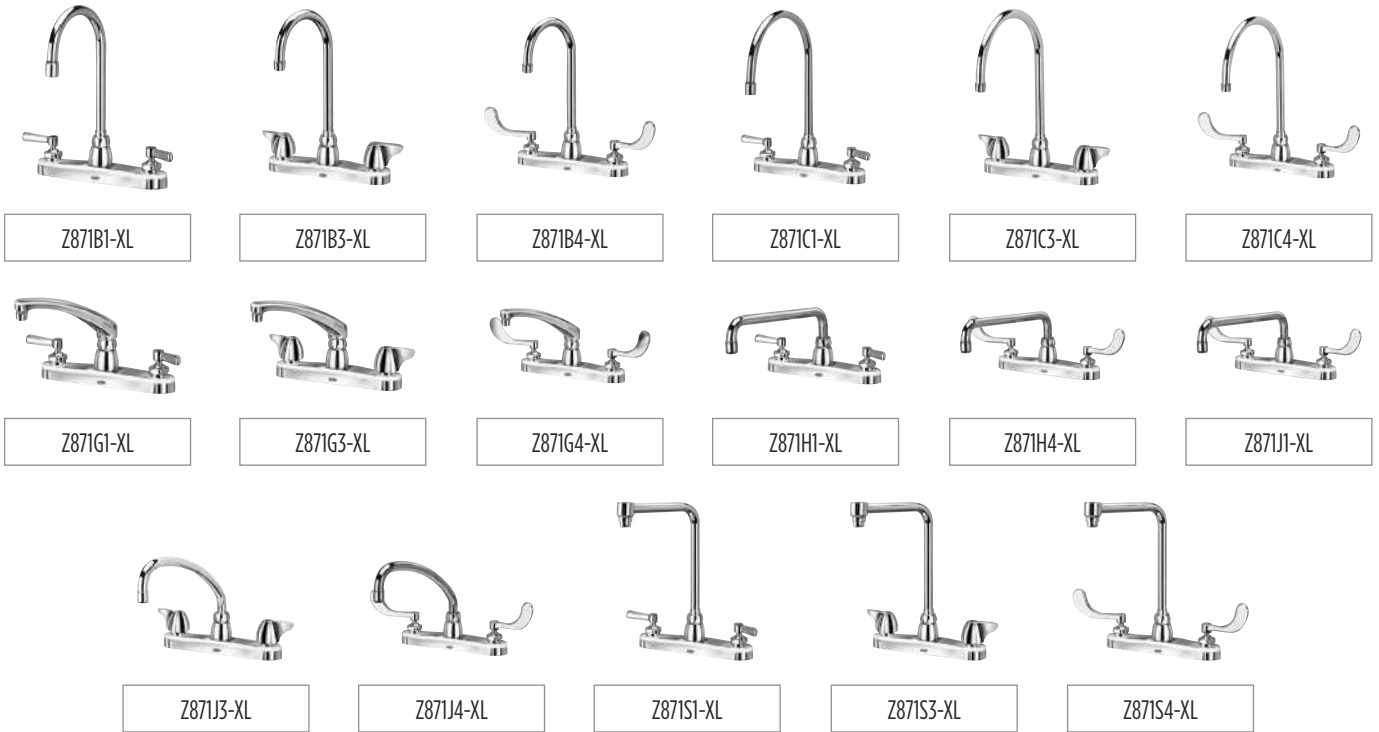


Z875F1



Z875U2

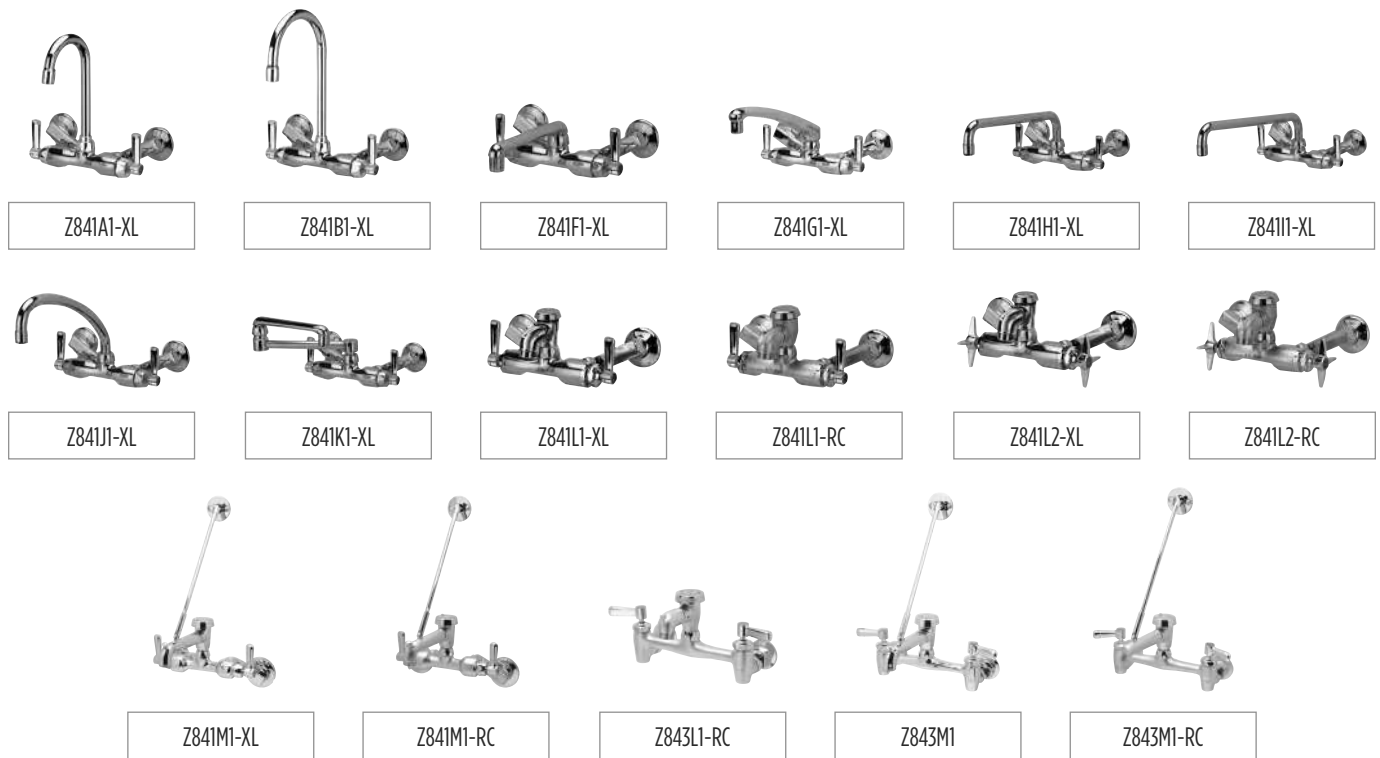
PRODUCT NO.	DESCRIPTION	OPTIONAL ACCESSORIES	CASE QTY.	WEIGHT (LBS.)	UPC
Kitchen Sink Faucets					
Z871B1-XL	Kitchen sink faucet with 5-3/8" gooseneck and lever handles	-FC, -HS, -HS6, -WM, -2F, -3F, -4F, -16F, -17F, -18F, -21F, -22F, -23F	1	6	670240373440
Z871B3-XL	Kitchen sink faucet with 5-3/8" gooseneck and dome lever handles	-FC, -HS, -HS6, -2F, -3F, -4F, -16F, -17F, -18F, -21F, -22F, -23F	1	6	670240373488
Z871B4-XL	Kitchen sink faucet with 5-3/8" gooseneck and 4" wrist blade handles	-FC, -HS, -HS6, -WM, -2F, -3F, -4F, -16F, -17F, -18F, -21F, -22F, -23F	1	6	670240373556
Z871C1-XL	Kitchen sink faucet with 8" gooseneck and lever handles	-FC, -HS, -HS6, -WM, -2F, -3F, -4F, -16F, -17F, -18F, -21F, -22F, -23F	1	6	670240373631
Z871C3-XL	Kitchen sink faucet with 8" gooseneck and dome lever handles	-FC, -HS, -HS6, -2F, -3F, -4F, -16F, -17F, -18F, -21F, -22F, -23F	1	6	670240373679
Z871C4-XL	Kitchen sink faucet with 8" gooseneck and 4" wrist blade handles	-FC, -HS, -HS6, -WM, -2F, -3F, -4F, -16F, -17F, -18F, -21F, -22F, -23F	1	6	670240373716
Z871G1-XL	Kitchen sink faucet with 8" cast spout and lever handles	-HS, -HS6, -WM, -2F, -3F, -4F, -16F, -17F, -18F, -21F, -22F, -23F	1	6.5	670240373846
Z871G3-XL	Kitchen sink faucet with 8" cast spout and dome lever handles	-HS, -HS6, -2F, -3F, -4F, -16F, -17F, -18F, -21F, -22F, -23F	1	6.5	670240365391
Z871G4-XL	Kitchen sink faucet with 8" cast spout and 4" wrist blade handles	-HS, -HS6, -WM, -2F, -3F, -4F, -16F, -17F, -18F, -21F, -22F, -23F	1	6.5	670240373976
Z871H1-XL	Kitchen sink faucet with 12" tubular spout and lever handles	-HS, -HS6, -WM, -2F, -3F, -4F, -16F, -17F, -18F, -21F, -22F, -23F	1	6	670240374041
Z871H4-XL	Kitchen sink faucet with 12" tubular spout and 4" wrist blade handles	-HS, -HS6, -WM, -2F, -3F, -4F, -16F, -17F, -18F, -21F, -22F, -23F	1	6	670240374102
Z871J1-XL	Kitchen sink faucet with 9-1/2" tubular spout and lever handles	-HS, -HS6, -WM, -2F, -3F, -4F, -16F, -17F, -18F, -21F, -22F, -23F	1	6	670240374126
Z871J3-XL	Kitchen sink faucet with 9-1/2" tubular spout and dome lever handles	-HS, -HS6, -2F, -3F, -4F, -16F, -17F, -18F, -21F, -22F, -23F	1	6	670240374164
Z871J4-XL	Kitchen sink faucet with 9-1/2" tubular spout and 4" wrist blade handles	-HS, -HS6, -WM, -2F, -3F, -4F, -16F, -17F, -18F, -21F, -22F, -23F	1	6	670240374195
Z871S1-XL	Kitchen sink faucet with 8" bent riser spout and lever handles	-FC, -HS, -HS6, -HS8, -WM, -2M, -3M, -4M, -16M, -17M, -18M, -21M, -22M, -23M	1	6	670240493599
Z871S3-XL	Kitchen sink faucet with 8" bent riser spout and dome lever handles	-FC, -HS, -HS6, -HS8, -2M, -3M, -4M, -16M, -17M, -18M, -21M, -22M, -23M	1	6	670240493605
Z871S4-XL	Kitchen sink faucet with 8" bent riser spout and 4" wrist blade handles	-FC, -HS, -HS6, -HS8, -WM, -2M, -3M, -4M, -16M, -17M, -18M, -21M, -22M, -23M	1	6	670240493612



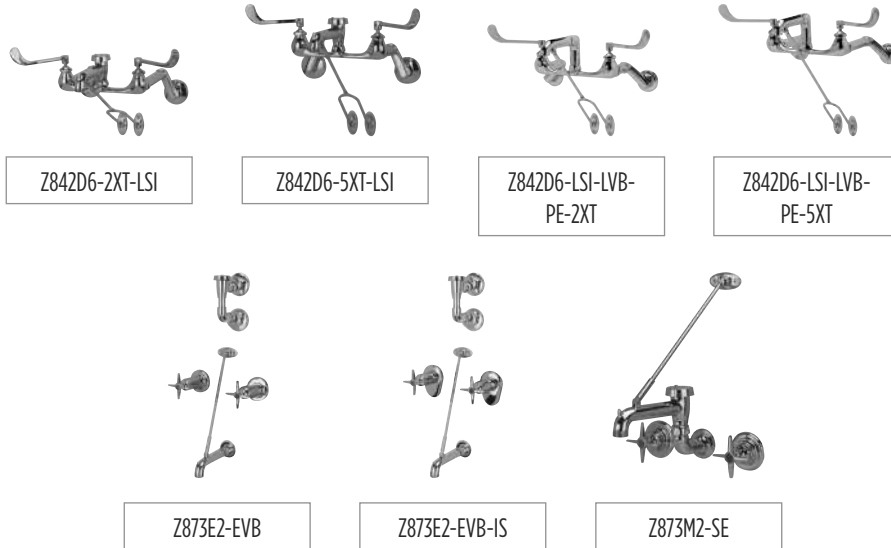
AquaSpec® Commercial Product Suffixes on page 59
 XL suffix denotes a Lead-free product.

For additional product information, please visit www.zurn.com.

PRODUCT NO.	DESCRIPTION	OPTIONAL ACCESSORIES	CASE QTY.	WEIGHT (LBS.)	UPC
Service Sink Faucets					
Z841A1-XL	Service sink faucet with 3-1/2" gooseneck and lever handles	-FC, -SSI, -2F, -3F, -4F, -16F, -17F, -18F, -21F, -22F, -23F	1	5	670240492394
Z841B1-XL	Service sink faucet with 5-3/8" gooseneck and lever handles	-FC, -SSI, -2F, -3F, -4F, -16F, -17F, -18F, -21F, -22F, -23F	1	5	670240492424
Z841F1-XL	Service faucet sink with 6" cast spout and lever handles	-SSI, -2F, -3F, -4F, -16F, -17F, -18F, -21F, -22F, -23F	1	5	670240492486
Z841G1-XL	Service sink faucet with 8" cast spout and lever handles	-SSI, -2F, -3F, -4F, -16F, -17F, -18F, -21F, -22F, -23F	1	5.5	670240492493
Z841H1-XL	Service sink faucet with 12" tubular spout and lever handles	-SSI, -2F, -3F, -4F, -16F, -17F, -18F, -21F, -22F, -23F	1	5.5	670240492509
Z841I1-XL	Service sink faucet with 14" tubular spout and lever handles	-SSI, -2F, -3F, -4F, -16F, -17F, -18F, -21F, -22F, -23F	1	5	670240492561
Z841J1-XL	Service sink faucet with 9-1/2" tubular spout and lever handles	-SSI, -2F, -3F, -4F, -16F, -17F, -18F, -21F, -22F, -23F	1	5	670240492585
Z841K1-XL	Service sink faucet with 13" double-jointed spout and lever handles	-SSI, -2F, -3F, -4F, -16F, -17F, -18F, -21F, -22F, -23F	1	6	670240492615
Z841L1-XL	Service sink faucet with 2-1/2" vacuum breaker spout and lever handles	-SSI, -WHK, -5H	1	5.5	670240845657
Z841L1-RC	Service sink faucet with 2-1/2" vacuum breaker spout and lever handles, rough chrome plated	-SSI, -WHK, -5H	1	5.5	670240408883
Z841L2-XL	Service sink faucet with 2-1/2" vacuum breaker spout and four-arm handles	-SSI, -WHK, -5H	1	5.5	889934184594
Z841M1-XL	Service sink faucet with 6" vacuum breaker spout, lever handles, pail hook, 3/4" hose end and brace	-SSI, -WHK, -5H	1	7	670240492639
Z841M1-RC	Service sink faucet with 6" vacuum breaker spout, lever handles, pail hook, 3/4" hose end and brace, rough chrome plated	-SSI, -WHK, -5H	1	7	670240408906
Z843L1-RC	Service sink faucet with 2-1/2" vacuum breaker spout and lever handles; rough chrome plated	-CS, -LSI, -WHK, -5H	6	5.5	670240581029
Z843M1-XL	Service sink faucet with 6" vacuum breaker spout, lever handles, pail hook, 3/4" hose end and brace	-CS, -LSI, -WHK, -5H	6	5.8	670240492691
Z843M1-RC	Service sink faucet with 6" vacuum breaker spout, lever handles, pail hook, 3/4" hose end and brace; rough chrome-plated	-CS, -LSI, -WHK, -5H	6	5.8	670240581067



PRODUCT NO.	DESCRIPTION	OPTIONAL ACCESSORIES	CASE QTY.	WEIGHT (LBS.)	UPC
Clinical Service Sink Faucets					
Z842D6-2XT-LSI	Clinical service sink faucet with 6" vacuum breaker spout, 6" wrist blade handles, bottom brace and 3/4" hose end	-WHK, -5H	1	7	670240409064
Z842D6-5XT-LSI	Clinical service sink faucet with 6" vacuum breaker spout, 6" wrist blade handles, bottom brace and 3/4" hose end	-WHK, -5H	1	7	670240409071
Z842D6-LSI-LVB-PE-2XT	Clinical service sink faucet with 6" wrist blade handles, bottom brace and plain end		1	7	-
Z842D6-LSI-LVB-PE-5XT	Clinical service sink faucet with 6" wrist blade handles, bottom brace and plain end		1	7	-
Z873E2-EVB	Clinical service sink faucet	-WHK, -5H	1	9	670240442986
Z873E2-EVB-IS	Clinical service sink faucet	-WHK, -5H	1	9.5	670240442993
Z873M2-SE	Clinical service sink faucet with vacuum breaker and brace	-IS, -WHK, -5H	1	8	889934075359



PRODUCT NO.	DESCRIPTION	OPTIONAL ACCESSORIES	CASE QTY.	WEIGHT (LBS.)	UPC
Single Basin Faucets					
Z82701-XL	Single basin faucet with lever handle	-G, -MY, -MYCS, -2M, -3M, -16M, -17M, -18M, -21M, -22M, -23M	1	2	670240368118
Z82702-XL	Single basin faucet with four-arm handle	-G, -MY, -MYCS, -2M, -3M, -16M, -17M, -18M, -21M, -22M, -23M	1	2	670240368149
Z82704-XL	Single basin faucet with 4" wrist blade handle	-G, -MY, -MYCS, -2M, -3M, -16M, -17M, -18M, -21M, -22M, -23M	1	2	670240368170
Z86100-XL	Single basin metering faucet	-BN, -CP4, -CP8, -G, -IN, -MY, -MYCS, -RKR, -3M, -16M	1	2	670240373075
Z86300-XL	Single basin metering faucet	-BN, -CP4, -CP8, -G, -IN, -MY, -MYCS, -3M, -16M	1	2.5	670240480407
Z86300-XL-CP4	Single basin metering faucet	-BN, -CP8, -G, -IN, -MY, -MYCS, -3M, -16M	1	2.5	670240480414
Single Control Faucets					
Z81000-XL	4" Centerset single control faucet	-G, -P, -1M, -2M, -3M, -4M, -16M, -17M, -18M, -21M, -22M, -23M	6	4	670240358720
Z82200-XL-CP4	Single control lavatory faucet with 4" cover plate	-CP8, -G, -P, -2M, -3M, -4M, -16M, -17M, -18M, -21M, -22M, -23M	1	3.5	670240466852
Z82300-XL-CP8	Single control kitchen faucet with 8" cover plate	-CP4, -G, -HS, -2M, -3M, -4M, -9M, -16M, -17M, -18M, -21M, -22M, -23M	1	5	670240470385
Z824B0-XL	Single control side-mounted gooseneck faucet	-G, -HS, -2F, -3F, -4F, -16F, -17F, -18F, -21F, -22F, -23F	1	4	670240480322
Z824S0-XL	Single control side-mounted bent riser spout faucet	-G, -HS, -2M, -3M, -4M, -9M, -16M, -17M, -18M, -21M, -22M, -23M	6	4	670240480391



Z82701-XL



Z82702-XL



Z82704-XL



Z86100-XL



Z86300-XL



Z86300-XL-CP4



Z81000-XL



Z82200-XL-CP4



Z82300-XL-CP8



Z824B0-XL



Z824S0-XL

PRODUCT NO.	DESCRIPTION	OPTIONAL ACCESSORIES	CASE QTY.	WEIGHT (LBS.)	UPC
Single Lab Faucets					
Z825A1-XL	Single lab faucet with 3-1/2" gooseneck and lever handle	-FC, -G, -2F, -3F, -4F, -12F, -16F, -17F, -18F, -21F, -22F, -23F	1	3	670240487017
Z825A2-XL	Single lab faucet with 3-1/2" gooseneck and four-arm handle	-FC, -G, -2F, -3F, -4F, -12F, -16F, -17F, -18F, -21F, -22F, -23F	1	3	670240491908
Z825A4-XL	Single lab faucet with 3-1/2" gooseneck and 4" wrist blade handle	-FC, -G, -2F, -3F, -4F, -12F, -16F, -17F, -18F, -21F, -22F, -23F	1	3	670240491915
Z825B1-XL	Single lab faucet with 5-3/8" gooseneck and lever handle	-FC, -G, -2F, -3F, -4F, -12F, -16F, -17F, -18F, -21F, -22F, -23F	1	3	670240491465
Z825B2-XL	Single lab faucet with 5-3/8" gooseneck and four-arm handle	-FC, -G, -2F, -3F, -4F, -12F, -16F, -17F, -18F, -21F, -22F, -23F	1	3	670240491922
Z825B4-XL	Single lab faucet with 5-3/8" gooseneck and 4" wrist blade handle	-FC, -G, -2F, -3F, -4F, -12F, -16F, -17F, -18F, -21F, -22F, -23F	1	3	670240491489
Z825C1-XL	Single lab faucet with 8" gooseneck and lever handle	-FC, -G, -2F, -3F, -4F, -12F, -16F, -17F, -18F, -21F, -22F, -23F	1	3	670240491939
Z825C2-XL	Single lab faucet with 8" gooseneck and four-arm handle	-FC, -G, -2F, -3F, -4F, -12F, -16F, -17F, -18F, -21F, -22F, -23F	1	3	670240491946
Z825C4-XL	Single lab faucet with 8" gooseneck and 4" wrist blade handle	-FC, -G, -2F, -3F, -4F, -12F, -16F, -17F, -18F, -21F, -22F, -23F	1	3	670240491953
Z825F1-XL	Single lab faucet with 6" cast spout and lever handle	-G, -2F, -3F, -4F, -16F, -17F, -18F, -21F, -22F, -23F	1	3	670240483439
Z825F2-XL	Single lab faucet with 6" cast spout and four-arm handle	-G, -2F, -3F, -4F, -16F, -17F, -18F, -21F, -22F, -23F	1	3	670240491960
Z825U1-6M	Single lab faucet with 6" vacuum breaker spout, serrated tip, and lever handle	-FC, -G, -MY, -MYCS, -2F, -3F, -4F, -8M, -16F, -17F, -18F, -21F, -22F, -23F	1	3.5	889934126334
Z825U4-6M	Single lab faucet with 6" vacuum breaker spout, serrated tip, and 4" wrist blade handle	-FC, -G, -MY, -MYCS, -2F, -3F, -4F, -8M, -16F, -17F, -18F, -21F, -22F, -23F	1	3.5	670240262539



Z825A1-XL



Z825A2-XL



Z825A4-XL



Z825B1-XL



Z825B2-XL



Z825B4-XL



Z825C1-XL



Z825C2-XL



Z825C4-XL



Z825F1-XL



Z825F2-XL

FLUSH VALVES

FAUCETS

TEMP-GARD®

TUBULAR BRASS

FIXTURES

AQUAPARTS® REPAIR PARTS AND ASSEMBLIES

PRODUCT NO.	DESCRIPTION	OPTIONAL ACCESSORIES	CASE QTY.	WEIGHT (LBS.)	UPC
Double Lab Faucets					
Z826B1-XL	Double lab faucet with 5-3/8" gooseneck and lever handles	-FC, -G, -MY, -2F, -3F, -4F, -12F, -16F, -17F, -18F, -21F, -22F, -23F	1	5	670240483750
Z826B2-XL	Double lab faucet with 5-3/8" gooseneck and four-arm handles	-FC, -G, -MY, -2F, -3F, -4F, -12F, -16F, -17F, -18F, -21F, -22F, -23F	1	5	670240492219
Z826B4-XL	Double lab faucet with 5-3/8" gooseneck and 4" wrist blade handles	-FC, -G, -MY, -2F, -3F, -4F, -12F, -16F, -17F, -18F, -21F, -22F, -23F	1	5	670240491496
Z826C1-XL	Double lab faucet with 8" gooseneck and lever handles	-FC, -G, -MY, -2F, -3F, -4F, -12F, -16F, -17F, -18F, -21F, -22F, -23F	1	5	670240492271
Z826C2-XL	Double lab faucet with 8" gooseneck and four-arm handles	-FC, -G, -MY, -2F, -3F, -4F, -12F, -16F, -17F, -18F, -21F, -22F, -23F	1	5	670240492356
Z826C4-XL	Double lab faucet with 8" gooseneck and 4" wrist blade handles	-FC, -G, -MY, -2F, -3F, -4F, -12F, -16F, -17F, -18F, -21F, -22F, -23F	1	5	670240492363
Z826F1-XL	Double lab faucet with 6" cast spout and lever handles	-G, -MY, -2F, -3F, -4F, -16F, -17F, -18F, -21F, -22F, -23F	1	5	670240491373
Z826F2-XL	Double lab faucet with 6" cast spout and four-arm handles	-G, -MY, -2F, -3F, -4F, -16F, -17F, -18F, -21F, -22F, -23F	1	5	670240493650



PRODUCT NO.	DESCRIPTION	OPTIONAL ACCESSORIES	CASE QTY.	WEIGHT (LBS.)	UPC
Shower Valve Body					
Z87302	Two-valve shower, body only.	-IS	1	3.5	670240442962
Misc. Faucets					
Z800J2-XL-AF-11F	Add-on faucet	-2F, -3F, -4F, -16F, -17F, -18F	1	2	670240869806
Z83600-XL	Bubbler	-IN, -PC, -RKR	1	3.5	670240365339
Bedpan Washers					
Z85500-XL-WM-EVB-HK-SE-SH	Bedpan washer	-SH2, -VC	1	13	-
Z87302-EVB-HK-SE-SH	Bedpan washer	-IS	1	7	-
Z873P2-HK-SE-SH	Bedpan washer	-IS, -SH2,	1	8	889934133356
Z875L2	Bedpan washer	-WHK, -5H	1	2.5	670240434172
Z877P2-LKS-HK-SH2	Bedpan washer	-SH	1	3.5	670240447172



Z87302



Z800J2-XL-AF-11F



Z83600-XL



Z85500-XL-WM-EVB-HK-SE-SH



Z87302-EVB-HK-SE-SH



Z873P2-HK-SE-SH



Z875L2



Z877P2-LKS-HK-SH2

PRODUCT NO.	DESCRIPTION	OPTIONAL ACCESSORIES	CASE QTY.	WEIGHT (LBS.)	UPC
Sink and Service Sink Faucets					
Z812B1-XL-15F	Centerset faucet with 5-3/8" gooseneck and lever handles	-FC, -G, -WM, -2F, -3F, -4F, -11F, -16F, -17F, -18F, -21F, -22F	6	4.5	670240367548
Z812C4-XL-15F	Centerset faucet with 8" gooseneck and 4" wrist blades.	-FC, -G, -2F, -3F, -4F, -11F, -16F, -17F, -18F, -21F, -22F	6	5	670240368002
Z825B1-XL-15F	Single water faucet with 5-3/8" gooseneck and lever handle	-FC, -G, -2F, -3F, -4F, -11F, -12F, -16F, -17F, -18F, -21F, -22F	1	3	670240495425
Z826A1-XL-15F	Dual water faucet with 3-1/2" gooseneck and lever handles	-FC, -G, -MY, -2F, -3F, -4F, -11F, -12F, -16F, -17F, -18F, -21F, -22F	1	5	670240495449
Z831S1-XL-15M	Widespread with 8" bent riser spout and lever handles	-G, -HS6, -ICT, -P, -2M, -3M, -4M, -11M, -16M, -17M, -18M, -21M, -22M	6	6	670240495463
Z841F1-XL-15F	Service sink faucet with 6" cast spout and lever handles	-SSI, -2F, -3F, -4F, -11F, -16F, -17F, -18F, -21F, -22F	1	5	670240495470
Z841G1-XL-15F	Deck mounted faucet with 8" cast spout and lever handles	-SSI, -2F, -3F, -4F, -11F, -16F, -17F, -18F, -21F, -22F	1	5.5	670240495487
Z841H1-XL-15F	Deck mounted faucet with 12" tubular spout and lever handles	-SSI, -2F, -3F, -4F, -11F, -16F, -17F, -18F, -21F, -22F	1	5.5	670240495500
Z841J1-XL-15F	Back mounted faucet with 9-1/2" tubular spout and lever handles	-SSI, -2F, -3F, -4F, -11F, -16F, -17F, -18F, -21F, -22F	6	5	670240495517
Z842F1-XL-15F	Back mounted sink faucet with 6" cast spout and lever handles	-LSI, -2F, -3F, -4F, -11F, -16F, -17F, -18F, -21F, -22F	1	5	670240372313
Z842G1-XL-15F	Back mounted sink faucet with 8" cast spout and lever handles	-LSI, -2F, -3F, -4F, -11F, -16F, -17F, -18F, -21F, -22F	1	5.5	670240372627
Z842H1-XL-15F	Back mounted sink faucet with 12" tubular spout and lever handles	-LSI, -2F, -3F, -4F, -11F, -16F, -17F, -18F, -21F, -22F	1	5.5	670240372733
Z842J1-XL-15F	Back mounted sink faucet with 9-1/2" tubular spout and lever handles	-LSI, -2F, -3F, -4F, -11F, -16F, -17F, -18F, -21F, -22F	1	5.5	670240372894
Z843M1	Service sink faucet with 6" vacuum breaker spout, lever handles, pail hook, 3/4" hose end and brace	-CS, -LSI, -WHK, -5H	6	5.8	670240581050
Z843M1-RC	Service sink faucet with 6" vacuum breaker spout, lever handles, pail hook, 3/4" hose end and brace; rough chrome plated	-CS, -LSI, -WHK, -5H	6	5.8	670240581067



Z812B1-XL-15F



Z812C4-XL-15F



Z825B1-XL-15F



Z826A1-XL-15F



Z831S1-XL-15M



Z841F1-XL-15F



Z841G1-XL-15F



Z841H1-XL-15F



Z841J1-XL-15F



Z842F1-XL-15F



Z842G1-XL-15F



Z842H1-XL-15F



Z842J1-XL-15F



Z843M1



Z843M1-RC

PRODUCT NO.	DESCRIPTION	OPTIONAL ACCESSORIES	CASE QTY.	WEIGHT (LBS.)	UPC
Pre-Rinse Units					
Z842X1-XL	Pre-rinse faucet with check stops	-LSI	1	10	670240495739
Z842X1-XL-AF	Back mounted pre-rinse and pot filler unit with check stops		1	12	670240493674
Z841X1-XL	Pre-rinse faucet with check stops		1	10	670240495531
Z825X1-XL	Single temperature pre-rinse unit	-MYCS	1	9	670240495432
Z826X1-XL	Pre-rinse faucet with a mixing yoke and check stops		1	11	670240495456



Z842X1-XL



Z842X1-XL-AF



Z841X1-XL



Z825X1-XL



Z826X1-XL

FLUSH VALVES

FAUCETS

TEMP-GARD®

TUBULAR BRASS

FIXTURES

AQUAPARTS® REPAIR PARTS AND ASSEMBLIES

AQUASPEC® COMMERCIAL PRODUCTS ACCESSORIES

PRODUCT NO.	DESCRIPTION	OPTIONAL ACCESSORIES	CASE QTY.	WEIGHT (LBS.)	UPC
Spray Hoses					
Z80000-SH	Hand-held 4' vinyl spray hose for bedpan washer		1	1	670240433557
Z80000-SH2	Hand-held 4' vinyl angled spray hose for bedpan washer		1	1.5	670240422469
Z80000-VH36	White vinyl hose with 3/8" male ends		1	0.5	670240431362
Z80000-VH48	White vinyl hose with 3/8" male ends		1	0.5	670240431379

PRODUCT NO.	DESCRIPTION	OPTIONAL ACCESSORIES	CASE QTY.	WEIGHT (LBS.)	UPC
Foot Pedal Valve					
Z85100-XL	Floor-mounted, self-closing single foot pedal valve		1	5.5	670240483774
Z85100-XL-WM	Wall-mounted, self-closing single foot pedal valve		1	6.5	670240483835
Z85500-XL	Floor-mounted, self-closing double foot pedal valve		1	5.5	670240483781
Z85500-XL-WM	Wall-mounted, self-closing double foot pedal valve	-VC	1	9	670240483866
Supply Stops					
Z81017-XL	3/8" OD compression x 1/2" NPT supply stop	-CR, -LR	12	1	889934068757
Miscellaneous Accessories					
Z80000-XL-EVB	Elevated atmospheric vacuum breaker		1	2	670240484023
Z80000-HK-SE-SH	Supply ell with a hose hook and a spray hose	-SH2	1	2	889934101768
Z800P0-HK-SE	Wall supply with a 1/2" vacuum breaker and hose hook.	-SH, -SH2	1	2.5	670240517509



Z80000-SH



Z80000-SH2



Z80000-VH_



Z85100-XL



Z85100-XL-WM



Z85500-XL



Z85500-XL-WM



Z81017-XL



Z80000-XL-EVB



Z80000-HK-SE-SH



Z800P0-HK-SE

AQUASPEC® COMMERCIAL PRODUCTS ACCESSORIES

PRODUCT NO.	DESCRIPTION	OPTIONAL ACCESSORIES	CASE QTY.	WEIGHT (LBS.)	UPC
Pre-Rinse Accessories					
Z800X0-XL-PR1	Pre-rinse unit assembly		1	5	670240481633
Z800X0-XL-AF-PR1	Combination pre-rinse unit and pot filler unit		1	6	670240495241
Z800H2-XL-AF-11F	Add-On Faucet 12" Spout		1	2	670240786448
Z800I2-XL-AF-11F	Add-On Faucet 14" Spout		1	2	670240938304
Z800J2-XL-AF-11F	Add-On Faucet 9-1/2" Spout		1	2	670240869806
G62740	G62740 angled, self-closing pre-rinse valve with a stay-open ring and rubber bumper spray head		1	2	670240586307
G62738	G62738 angled, self-closing pre-rinse valve with a stay-open ring and an aerated outlet		1	2	670240586314
Z80000-RS	Pre-rinse pipe support		1	1	670240431027
61699001	Riser inlet adapter for 3/8" NPT connection				-
G66601	Chrome-plated in-line vacuum breaker - female	-12F			670240545588
G66602	Chrome-plated in-line vacuum breaker - male	-12M			670240545595
Pot Fillers					
Z875F1-15F	Wall mounted faucet with 6" cast spout and lever handle	-2F, -3F, -4F, -11F, -16F, -17F, -18F, -21F, -22F	6	2.5	889934096958
Pot Filler Accessories					
Z80000-HI24	Pre-rinse hose assembly with 6" insulated handle		1	1.5	670240584631



Z800X0-XI-PR1



Z800X0-XL-AF-PR1



Z800_2-XL-AF-11F



G62740



G62738



Z80000-RS



61699001



G66602



Z875F1-15F



Z80000-XL-HI24

PRODUCT NO.	DESCRIPTION	OPTIONAL ACCESSORIES	CASE QTY.	WEIGHT (LBS.)	UPC
Shower Valve Body					
Z87302	Two-valve shower, body only.	-IS	1	3.5	670240442962
Misc. Faucets					
Z800J2-XL-AF-11F	Add-on faucet	-2F, -3F, -4F, -16F, -17F, -18F	1	2	670240869806
Z83600-XL	Bubbler	-IN, -PC, -RKR	1	3.5	670240365339
Bedpan Washers					
Z85500-XL-WM-EVB-HK-SE-SH	Bedpan washer	-SH2, -VC	1	13	-
Z87302-EVB-HK-SE-SH	Bedpan washer	-IS	1	7	-
Z873P2-HK-SE-SH	Bedpan washer	-IS, -SH2,	1	8	889934133356
Z875L2	Bedpan washer	-WHK, -5H	1	2.5	670240434172
Z877P2-LKS-HK-SH2	Bedpan washer	-SH	1	3.5	670240447172

PRODUCT NO.	DESCRIPTION	OPTIONAL ACCESSORIES	CASE QTY.	WEIGHT (LBS.)	UPC
Hose Reel Accessories					
Z80000-XL-EVB	Elevated atmospheric vacuum breaker		1	2	670240484023
Z87302-CS-IS	Shower valve body, hot and cold water		1	4	670240203518
Basket Strainers					
ZSS250-PC	Chrome-plated brass body with the "It Can't Skip" locknut. Stick-type stainless basket. Neoprene stopper		40		670240535411
ZTT461-PC	Chrome-plated brass body with the "It Can't Skip" locknut. Four-prong stainless basket. Neoprene stopper		40		670240535442
ZSS3000B-SS	Stainless steel stick type – stainless basket. Long shank for use with stainless steel sink		32		670240535428
ZR426B-SS	Jr. 2" basket strainer. All stainless steel; crumb-cup style		34		670240552890
Repair Parts					
G66001	Self-closing Cartridge				670240553927
G66002	Spray-Face Repair Kit				670240553934
G66004	Handle, Washer, and Ring				670240553965
G66005	Male x Female Adapter and Washers				670240553958
61896001	Pre-Rinse Hose Spring				670240440678
92407001	Pre-Rinse Valve Repair Kit (New Style)				670240399679



Z80000-XL-EVB



Z87302-CS-IS



ZSS250-PC



ZTT461-PC



ZSS3000B-SS



ZR426B-SS



G66001



G66002



G66004



G66005



61896001

PRODUCT NO.	DESCRIPTION	UPC
Aerator Adapters		
58252001	Aerator Vandal-Resistant Wrench	58252001
60524001	Aerator Adapter for the T, U, and V Spouts/ 3/8 NPSM Male x 3/4-27 Male	670240434738
61602001	Aerator Adapter 3/4-27 Male x 13/16-27 Male	670240439658
61766001	Aerator Adapter 3/4-27 Female x 15/16-27 Female	670240440418
62455001	Aerator Adapter 3/4-27 Female x 3/8-18 Female NPSM	-
Ceramic Disc XL Cartridges		
59517005	Short Cold XL Quarter-Turn Ceramic Disc Cartridge	889934102017
59517006	Short Hot XL Quarter-Turn Ceramic Disc Cartridge	670240365285
59517007	Long Cold XL Quarter-Turn Ceramic Disc Cartridge	670240365292
59517008	Long Hot XL Quarter-Turn Ceramic Disc Cartridge	670240365308
G67922	Short Cold/Hot Quarter-Turn Ceramic Disc Cartridges	670240379145
G67923	Long Cold/Hot Quarter-Turn Ceramic Disc Cartridges	670240379152
Single Control Mixing Cartridges		
63233001	Single Control Mixing Cartridge for Z823 and Z824	670240457683
80242001	Single Control Mixing Cartridge for Z822	670240664524
92882001	VR Single Control Mixing Cartridge for Z822	670240258358
93354001	VR Single Control Mixing Cartridge for Z823 and Z824	670240378889
Cover Plates		
61534001	8" Cover Plate Assembly with Mounting Hardware for Z861, Z863, and Z825	670240436312
G65333	4" Cover Plate Assembly with Mounting Hardware for Z861, Z863, and Z825	670240521674
G65505	8" Cover Plate for the Z823 Faucet	670240537330
G65506	4" Cover Plate for the Z822 Faucet	670240538429
G65514	8" Cover Plate for the Z822 Faucet	670240550162

PRODUCT NO.	DESCRIPTION	UPC
Body Assembly Parts and Mounting Hardware		
59440001	Handle Nut	670240415263
59532001	Brass Coupling Nut 1/2"	670240437906
60077001	Widespread Cartridge Cap	60077001
60078001	Widespread Cartridge Escutcheon	670240416338
60080002	Widespread Gooseneck Pop-Up Base with Lift Rod Hole	670240223653
60082001	Tall Threaded Bell Escutcheon	670240438699
60144001	Widespread Shank Seal	670240416345
60145001	Widespread Shank Nut (for -ICT only)	670240416352
60145002	Widespread Flex Mount Shank Nut	670240438743
60146001	Widespread Base Mounting Nut	670240438750
60147001	Widespread Base Mounting Washer	670240438767
60148001	Widespread Base Mounting Gasket	-
60249332	Widespread Stainless Steel Flex Hose	-
60382001	Widespread Fitting Washer	-
60383001	E Type Retaining Ring	-
60444001	Widespread Body Friction Washer	-
60444002	Widespread Friction Washer	-
60445001	Widespread Body Mounting Nut	670240439085
60455001	Widespread Gasket	670240439252
60467001	Centerset Gooseneck Base (New Style)	670240434523
60467002	Kitchen Faucet Base with C/L Mark	670240237872
60505001	Pop-Up Drain Assembly (-P)	670240434691
60807001	Handle Nut (for #7 Handle Option)	670240435049
60816001	Widespread Metering Escutcheon	670240435124
61276002	Widespread Flex Mount Base Assembly with Hole	670240435810
61276003	Widespread Flex Mount Base Assembly	670240435827
61283002	Flex Mount Tee Assembly with Third Water Way (Flex Only)	670240435865
61319001	Kitchen Hose and Spray Assembly (Standard -HS Option)	670240435957
61406001	Widespread Flat Handle Escutcheon (#3, #5 Handles Only)	670240436060
61488001	Cover Plate Stud	670240436213
61625001	Extension -2XT	670240439757
61625002	Extension -5XT	670240439764
63534001	Plug for the Lift Rod Hole for Z81200-P	670240515857
G60502	Mounting and Coupling Nuts	670240418646
G60530	Copper Supply Tubes for the Z822, Z823, Z824	670240414594
G61073	Mounting Bag for the Z826	670240418448
G61080	ICT Mounting Hardware Bag	670240418462
G61859	Flex Mounting Hardware Bag	670240441101
G63241	Mounting Components for Z82200	670240457690
G63272	Brass Mounting Nuts	670240458246
G63366	Mounting Nuts (Pair)	670240463080
G63367	Mounting Nut (Single)	670240463097
G67898	Tee Assembly for Z831 Flex	670240365346
G65339	Mounting Hardware for -P	670240543096

When ordering parts, always list product number and description.
 XL suffix denotes a Lead-free product.

For additional product information, please visit www.zurn.com.

AQUASPEC® REPAIR PARTS

PRODUCT NO.	DESCRIPTION	UPC
Supply Arms		
G60528	Long Supply Arm and Integral Stop Assembly	670240414587
G60551	Rough Chrome Long Supply Arm with Integral Stop Assembly	670240418578
G63364	Long Supply Arm with Check Stops	670240506930
G65336	Short Supply Arm Standard	670240522190
G66604	Deck Mount Supply Arm Assembly for the Z841 and Z842	670240554405
G66605	Deck Mount Supply Arm Assembly with Check Stops for the Z841 and Z842	670240554412
G66618	90° Supply Arm Elbow with Check Stops for Exposed Pipe Installation	670240574311
Metering Parts		
G60561	Handle Nut Assembly	670240414631
G61754	Metering Valve (Sleeve and Poppet)	670240625877
G65503	Cap Sealing Washer Assembly for Metering Handle Nut	670240529793
G68020	Metering Shank Filter Assembly	670240496811
G67889	Metering Repair Kit	670240355620

PRODUCT NO.	DESCRIPTION	UPC
Handle Parts		
59454001	Red Plastic Index Button for Handles	670240415287
59454002	Blue Plastic Index Button for Handles	-
59454003	Black Plastic Index Button for Handles	-
60460001	Red Plastic Index Button for Metering Handles	-
60460002	Blue Plastic Index Button for Metering Handles	-
60460003	Black Plastic Index Button for Metering Handles	-
62464001	10-32 x .75 Stainless Steel Phillips Handle Screw	-
62705001	Metering Handle Setscrew	-
63234001	1/4" Knurled Cup Point Setscrew for Single Control Handle	-
G63237	Single Control Handle Assembly	670240457669
G60548	Color-Coded Index Bag: Red/Black/Blue	670240418639
G60558	Metering Index Bag: Blue, Black, Red	670240418523
G60562	Indexes Metering Hot and Cold	670240418530
G66684	Decorative Hot/Cold Indexes	670240651739

PRODUCT NO.	DESCRIPTION	UPC
Single Handles		
Handle Bag Contains: One Handle, One Red Index, One Blue Index, One Black Index, and One 10-32 x .75 Phillips Head Screw.		
G61071	Single Handle Option #1: 2-1/2" Lever Handle	670240418479
G61072	Single Handle Option #2: 3" Diameter Four-Arm Handle	670240418486
G60573	Single Handle Option #3: 2" Dome Lever Handle	670240418554
G60574	Single Handle Option #4: 4" Wrist Blade Handle	670240418561
G60576	Single Handle Option #6: 6" Wrist Blade Handle	670240418509
G63464	Single Handle Option #7: Tee Handle (No Indexes Available)	670240506589
Pair of Handles		
Handle Bag Contains: Two Handles, One Red Index, One Blue Index, and Two 10-32 x .75 Phillips Head Screws.		
G60501	Handle Option #1: Two 2-1/2" Lever Handles	670240414495
G60503	Handle Option #2: Two 3" Diameter Four-Arm Handles	670240414501
G60515	Handle Option #3: Two 2" Dome Lever Handles	670240414549
G60504	Handle Option #4: Two 4" Wrist Blade Handles	670240414518
G60508	Handle Option #6: Two 6" Wrist Blade Handles	670240414525
Metering Handles		
G60522	Single Tempered Push Handle Assembly Metering	670240414556
G61640	Single Hot Metering Handle	670240418370
G61641	Single Cold Metering Handle	670240418387
G61830	Hot and Cold Metering Handle (Handle Bag Contains: Index, Setscrew, and handle)	670240460874
G66678	Single Hot Institutional Metering Handle	670240665620
G66679	Single Cold Institutional Metering Handle	670240665637
G66681	Metering Rocker Handle, Hot	670240403567
G66682	Metering Rocker Handle, Cold	670240403574
G66683	Metering Rocker Handle, Tempered (Does not include index and setscrew.)	670240403581

AQUASPEC® REPAIR PARTS

PRODUCT NO.	DESCRIPTION	UPC
Spouts		
Spouts are shipped completed with a 5/8" spout nut. (Aerators must be ordered separately.)		
G61920	'D' Spout: 7-1/2" Cast Vacuum Breaker Spout with Bottom Support and Pipe Brace	670240441125
G61922	'D' Spout (-LVB): 7-1/2" Cast Spout with Threaded Outlet and Pail Hook	670240441149
G61995	'E' Spout: Wall-Mounted 7-1/2" Cast Spout Top Brace and Pail Hook	670240441262
G63510	DJ-18 Lower Spout Assembly for Use with 'K' Spout	670240511842
G60553	'L' Spout (Rough Chrome): 2-1/2" Vacuum Breaker Spout with Integral 3/4" Hose Thread	670240418585
G60526	'L' Spout: 2-1/2" Vacuum Breaker Spout with Integral 3/4" Hose Thread	670240414570
G60554	'M' Spout: 5" Vacuum Breaker Spout with Wall Brace	670240414600
G60555	'M' Spout (Rough Chrome): 5" Vacuum Breaker Spout with Wall Brace	670240418592

PRODUCT NO.	DESCRIPTION	UPC
Spout Parts		
58155018	Gooseneck O-ring	-
59435001	Spout Nut	-
59436001	Rigid Washer for Spouts	-
59441001	Bearing Washer	-
59459001	Spout Seal	-
59460001	Retaining Ring	-
59666001	Split Swing Washer	-
60510001	2.0 gpm Flow Control Assembly	670240416437
60549001	Friction Washer	670240434813
60951001	3/8" Vacuum Breaker Polished Chrome Plated	670240435490
61896001	Pre-Rinse Hose Spring	670240440678
62301001	VB Repair Kit 1/2"	670240448964
63219001	VB Repair Kit 3/8"	63219001
G60523	Spout Repair Kit Swing Only (Contains: 59441001, 59460001, and 59459001)	670240414563
G61924	2XT Brace Assembly	670240441170
G61928	5XT Brace Assembly	670240441200

PRODUCT NO.	DESCRIPTION	UPC
Lead-free (XL) Spouts		
G67851	'A' Spout: 3-1/2" Centerline Gooseneck	670240358737
G67856	'A' Spout: 3-1/2" Flow Control Centerline	670240358768
G67983	'A' Swing Spout: 140° Restricted	670240471047
G67852	'B' Spout: 5-3/8" Centerline Gooseneck	670240358744
G67857	'B' Spout: 5-3/8" Flow Control Centerline	670240358775
G67984	'B' Swing Spout: 140° Restricted	670240471054
G67853	'C' Spout: 8" Centerline Gooseneck	670240358751
G67858	'C' Spout: 8" Flow Control Centerline	670240358782
G67985	'C' Swing Spout: 140° Restricted	670240471061
G67890	'F' Spout: 6" Cast Brass	670240370869
G67891	'G' Spout: 8" Cast Brass	670240365377
G67892	'H' Swing Spout: 12" Tubular Brass	670240370876
G67894	'J' Swing Spout 9-1/2" Tubular Brass	670240374751
G67987	'J' Swing Spout: 140° Restricted	670240471085
G67866	'R' Spout: 5" Centerline Flex Connection with Pop-up	670240358799
G67867	'R' Spout: 5" Centerline Flex Connection	670240358805
G67868	'R' Spout: 5" Centerline Low Profile -ICT	670240358812
G67869	'R' Spout: 5" Centerline Low Profile -ICT with Pop-up	670240358829
G67986	'S' Swing Spout: 140° Restricted	670240471078
G67963	'S' Spout 8" Bent Riser Spout	670240446373
G67991	'U' Spout 6" Centerline Vacuum Breaker Spout	670240486546

FLUSH VALVES

FAUCETS

TEMP-GARD®

TUBULAR BRASS

FIXTURES

AQUAPARTS® REPAIR PARTS AND ASSEMBLIES

NOTES

FLUSH VALVES

FAUCETS

TEMP-GARD®

TUBULAR BRASS

FIXTURES

AQUAPARTS® REPAIR PARTS
AND ASSEMBLIES

TEMP-GARD®

TEMP-GARD® FAUCETS	84	TEMP-GARD® AQUA-PANEL	89	TUB SPOUTS	93
SIERRA® LEAD-FREE FAUCETS	84	Z7500 SERIES	89	ATMOSPHERIC VACUUM BREAKERS	93
SIERRA® CERAMIC DISC KITCHEN FAUCETS	84	Z7500-CR SERIES	89	REPAIR KIT FOR METERING VALVE	93
AERATOR OPTIONS (NOT AVAILABLE IN SATIN)	84	Z7500-TS SERIES	90	TRACT PACKS FOR TEMP-GARD I SERIES VALVES	93
STRAINER OPTIONS	84	Z7500-W2 SERIES	90	TRACT PACKS FOR TEMP-GARD III SERIES VALVES	94
MISCELLANEOUS OPTIONS	84	Z7500-W3 SERIES	90	TRIM PACKS FOR TEMP-GARD I SERIES VALVES	94
TEMP-GARD® SERIES I - SHOWER VALVES	85	TEMP-GARD® AQUA-PANEL OPTIONS	90	TRIM PACKS FOR TEMP-GARD III SERIES VALVES	95
Z7100 SERIES	85	AQUA-PANEL OPTIONS	90	SHOWER VALVE REPAIR KITS FOR TEMP-GARD I SERIES VALVES	95
Z7101 SERIES	85	CUSTOM MODIFICATIONS	90	SHOWER VALVE REPAIR KITS FOR TEMP-GARD III SERIES VALVES	95
Z7120 SERIES	86	TEMP-GARD® ACCESSORIES	91	MISCELLANEOUS TEMP-GARD I PARTS	95
Z7121 SERIES	86	TEMP-GARD I SHOWER VALVE SERIES HANDLES	91	MISCELLANEOUS TEMP-GARD III PARTS	95
Z7200 SERIES	86	TEMP-GARD III SHOWER VALVE SERIES HANDLES	91	SHOWER VALVE REPAIR KITS FOR AQUA-PANEL	95
Z7201 SERIES	86	ARMS	91	MISCELLANEOUS AQUA-PANEL PARTS	96
Z7220 SERIES	87	CONVERSION HARDWARE FOR SHOWER VALVES	91	SIERRA® FAUCET REPAIR KITS	96
Z7221 SERIES	87	SHOWER HEADS	91	SIERRA® FAUCET AERATORS, Z7440	96
TEMP-GARD® SERIES III - SHOWER VALVES	88	INSTITUTIONAL SHOWER HEADS	92	SIERRA® FAUCET HANDLES, Z7440	96
Z7300 SERIES	88	DIVERTER VALVES AND SPRING CHECKS	92	SIERRA® FAUCET AERATORS, Z74500	96
Z7301 SERIES	88	MISCELLANEOUS DIVERTER VALVE PARTS	92	Z74500, Z74600, AND Z74700 HANDLES AND INDEXES	96
Z7302 SERIES	88	HANDWALL UNITS	92	MISCELLANEOUS SIERRA® FAUCET PARTS	96
		HANDBLOWER UNITS	93	Z7870 SERIES REPAIR KITS	96
		MISCELLANEOUS HANDWALL PARTS	93	Z7870C SERIES AERATORS	96
		HANDWALL AND HANDBLOWER OPTIONS/ACCESSORIES	93		

TEMP-GARD® FAUCETS

PRODUCT NO.	DESCRIPTION	UPC
-------------	-------------	-----

Sierra® Lead-free Faucets

Polished chrome-plated 4" centerset single control lavatory faucet with 5" integral spout, a ceramic disc cartridge and a temperature limit stop. Unit is furnished with 2.2 GPM variable orifice aerator (complying with ANSI A112.18.1M Standard for flow), an ADA compliant lever handle, 3/8" stainless steel flex hose 18 inches in length with 3/8" female compression fitting. Standard units and models listed below.

Z7440-XL	4" centerset Sierra faucet with 1/2" IPS connections, lever handle, and no pop-up hole	670240365926
Z7441-XL	4" centerset Sierra faucet with 1/2" IPS connections, lever handle, and lift rod	670240371750
Z7442-XL	4" centerset Sierra faucet with 1/2" IPS connections, lever handle, and metal pop-up	670240370937
Z7443-XL	4" centerset Sierra faucet with 1/2" IPS connections, lever handle, no pop-up hole, and grid strainer	670240370968

Sierra® Ceramic Disc Kitchen Faucets

Polished chrome-plated 8" centerset single control kitchen faucet with integral 8" brass D-tube swing spout and a ceramic disc cartridge. Unit is furnished with 2.2 GPM variable orifice aerator (complying with ANSI A112.18.1M Standard for flow), an ADA compliant lever handle, 3/8" stainless steel flex hose 18 inches in length with 3/8" female compression fitting, cover plate, remote mounted hose spray with escutcheon, and mounting hardware.

Z7872C-XL	8" Centerset Single Control Kitchen Faucet with Hose Spray	670240376052
Z7870C-XL	8" Centerset Single Control Kitchen Faucet, Less Hose Spray	670240376045

SUFFIX

Aerator Options (Not Available in Satin)

-FC	0.5 GPM vandal-resistant aerator	-
-LA	2.2 GPM laminar flow outlet	-
-VP	2.2 GPM vandal-resistant aerator	-

Strainer Options

-G	Grid strainer (Z8743-PC)	-
----	--------------------------	---

Miscellaneous Options

-CST	3/8" copper inlets for Z744_-XL ONLY	-
-P	Pop-up drain (7342-PUA)	-
-PR	ADA trap, stop, and supply protectors (Z8946-1-NT)	-
-PRH	ADA trap, stop, and supply protectors for offset grid strainer (Z8946-3-NT)	-



Z744_-XL



Z7872C-XL

TEMP-GARD® SERIES I - SHOWER VALVES

PRODUCT NO.	DESCRIPTION	OPTIONAL ACCESSORIES	WEIGHT (LBS.)	UPC
Z7100 Series				
All Z7100 units are shower only. Shower with arm and shower heads may not be added (see Z7101 series). Does not include shower head, shower arm, or the arm escutcheon. 1/2" female copper solder inlet connections are standard. ASSE Listed 1016, IAPMO Listed, CSA Certified B125.				
Z7100-SS-LH	The Z7120 series shower valve is a shower only with service stops and integral volume control that incorporates the pressure balanced piston design feature. One cold inlet port and one hot inlet port, with a shower outlet port. The valve includes ABS plastic chrome-plated trim (cover, escutcheon, and metal lever handle).	-BC, -CC, -DV-2P, -HW, -HW6, -IP, -MT, -RC, -SC, -WF	4	670240605305
Z7100-SS-MT	The Z7100 series shower valve is a shower only with service stops that incorporates the pressure balanced piston design feature. One cold inlet port and one hot inlet port, with a shower outlet port. The valve includes metal chrome-plated trim (cover, nut, escutcheon, and metal lever handle).	-BC, -CC, -DV-2P, -HW, -HW6, -IP, -RC, -SC, -WF	4.5	-
Z7100-SS-HW-LH	The Z7100 series shower valve is a shower only with service stops that incorporates the pressure balanced piston design feature. One cold inlet port and one hot inlet port, with a shower outlet port. The valve includes ABS plastic chrome-plated trim (cover, escutcheon, and metal lever handle). Unit is also furnished with handwall shower unit, 60" metal hose, standard handset, supply elbow and flange, 24" slide bar.	-BC, -CC, -DV-2P, -H7, -H9, -HW6, -IP, -MT, -RC, -SC, -WF	7.5	670240407879
Z7101 Series				
All Z7101 units are shower only with accessories (Z7000-S1 and Z7000-A1). Includes shower head, shower arm, and the arm escutcheon. 1/2" female copper solder inlet connections are standard. ASSE Listed 1016, IAPMO Listed, CSA Certified B125.				
Z7101-SS-LH	The Z7101 series shower valve is a shower only with service stops that incorporates the pressure balanced piston design feature. One cold inlet port and one hot inlet port, with a shower outlet port. The valve includes ABS plastic chrome-plated trim (cover, escutcheon, and metal lever handle).	-A2, -BC, -CC, -DV-2P, -HW, -HW6, -IP, -MT, -RC, -SC, -S5, -S6, -S7, -S8, -S9, -S10, -WF	4	670240605329
Z7101-SS-MT	The Z7101 series shower valve is a shower only with service stops that incorporates the pressure balanced piston design feature. One cold inlet port and one hot inlet port, with a shower outlet port. The valve includes metal chrome-plated trim (cover, nut, escutcheon, and metal lever handle).	A2, -BC, -CC, -DV-2P, -HW, -HW6, -IP, -RC, -SC, -S5, -S6, -S7, -S8, -S9, -S10, -WF	4.5	670240392694
Z7101-SS-LH-DV-2P-HW	The Z7101 series shower valve is a shower only with service stops that incorporates the pressure balanced piston design feature. One cold inlet port and one hot inlet port, with a shower outlet port. The valve includes ABS plastic chrome-plated trim (cover, escutcheon, and metal lever handle). Unit is also furnished with two-way diverter valve (DV-2P), handwall unit, 60" metal hose, standard handset, supply elbow and flange, 24" slide bar.	-A2, -BC, -CC, -H7, -H9, -HW6, -IP, -MT, -RC, -SC, -S5, -S6, -S7, -S8, -S9, -S10, -WF	7.5	889934120370



Z7100-SS-___

Z7100-SS-HW-LH

Z7101-SS-___

Z7101-SS-LH-DV-2P-HW

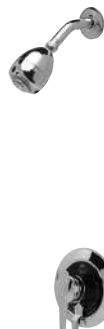
PRODUCT NO.	DESCRIPTION	OPTIONAL ACCESSORIES	WEIGHT (LBS.)	UPC
Z7120 Series				
All Z7120 units are shower only with volume control. Shower arm and shower heads may not be added (see Z7121 series). Does not include shower head, shower arm, or the arm escutcheon. 1/2" female copper solder inlet connections are standard. ASSE Listed 1016, IAPMO Listed, CSA Certified B125.				
Z7120-SS-LH	The Z7120 series shower valve is a shower only with service stops and integral volume control that incorporates the pressure balanced piston design feature. One cold inlet port and one hot inlet port, with a shower outlet port. The valve includes ABS plastic chrome-plated trim (cover, escutcheon, and metal lever handle).	-BC, -CC, -DV-2P, -HW, -HW6, -IP, -MT, -RC, -SC, -WF	4	670240605343
Z7120-SS-MT	The Z7120 series shower valve is a shower only with service stops and integral volume control that incorporates the pressure balanced piston design feature. One cold inlet port and one hot inlet port, with a shower outlet port. The valve includes metal chrome-plated trim (cover, nut, escutcheon, and metal lever handle).	-BC, -CC, -DV-2P, -HW, -HW6, -IP, -RC, -SC, -WF	4.5	670240605565
Z7120-SS-LH-HW	The Z7120 series shower valve is a shower only with service stops and integral volume control that incorporates the pressure balanced piston design feature. One cold inlet port and one hot inlet port, with a shower outlet port. The valve includes ABS plastic chrome-plated trim (cover, escutcheon, and metal lever handle). Unit is also furnished with handwall shower unit, 60" metal hose, standard handset, supply elbow and flange, 24" slide bar.	-BC, -CC, -DV-2P, -H7, -H9, -HW6, -IP, -MT, -RC, -SC, -WF	7.5	-
Z7121 Series				
All Z7121 units are shower only with volume control and accessories (Z7000-S1 and Z7000-A1).				
Z7121-SS-LH	The Z7121 series shower valve is a shower only with service stops and integral volume control that incorporates the pressure balanced piston design feature. One cold inlet port and one hot inlet port, with a shower outlet port. The valve includes ABS plastic chrome-plated trim (cover, escutcheon, and metal lever handle). The Z7121 includes shower head, shower arm, or the arm escutcheon. 1/2" female copper solder inlet connections are standard. ASSE Listed 1016, IAPMO Listed, CSA Certified B125.	A2, -BC, -CC, -DV-2P, -HW, -HW6, -IP, -MT, -RC, -SC, -S5, -S6, -S7, -S8, -S9, -S10, -WF	4.5	670240390652
Z7121-SS-MT	The Z7121 series shower valve is a shower only with service stops and integral volume control that incorporates the pressure balanced piston design feature. One cold inlet port and one hot inlet port, with a shower outlet port. The valve includes metal chrome-plated trim (cover, nut, escutcheon and metal lever handle). The Z7121 includes shower head, shower arm, or the arm escutcheon. 1/2" female copper solder inlet connections are standard. ASSE Listed 1016, IAPMO Listed, CSA Certified B125.	-A2, -BC, -CC, -DV-2P, -HW, -HW6, -IP, -RC, -SC, -S5, -S6, -S7, -S8, -S9, -S10, -WF	5	-
Z7200 Series				
All Z7200 units are tub and shower mixing valves. Shower arm, shower heads, and tub spouts may not be added (see the Z7201 series). Does not include shower head, shower arm, arm escutcheon or tub spout. 1/2" female solder inlet connections are standard. ASSE Listed 1016, IAPMO Listed, CSA Certified B125.				
Z7200-SS-LH	The Z7200 series is a tub and shower mixing valve with service stops that incorporates the pressure balance piston design feature. It is supplied with built-in choke and adjustable stop screw to limit maximum temperature. The valve includes ABS plastic chrome-plated trim (cover, escutcheon, and metal lever handle).	-BC, -CC, -DV-2P, -HW, -HW6, -IP, -MT, -RC, -SC, -WF	4	670240605374
Z7200-SS-MT	The Z7200 series is a tub and shower mixing valve with service stops that incorporates the pressure balance piston design feature. It is supplied with built-in choke and adjustable stop screw to limit maximum temperature. The valve includes metal chrome-plated trim (cover, nut, escutcheon, and metal lever handle).	-BC, -CC, -DV-2P, -HW, -HW6, -IP, -RC, -SC, -WF	4.5	670240605572
Z7200-SS-HW-LH	The Z7200 series is a tub and shower mixing valve with service stops that incorporates the pressure balance piston design feature. It is supplied with built-in choke and adjustable stop screw to limit maximum temperature. The valve includes ABS plastic chrome-plated trim (cover, escutcheon, and metal lever handle). Unit is also furnished with handwall shower unit, 60" metal hose, standard handset, supply elbow and flange, 24" slide bar.	-BC, -CC, -DV-2P, -H7, -H9, -HW6, -IP, -MT, -RC, -SC, -WF	7.5	670240643598



Z7120-SS-___



Z7120-SS-LH-HW



Z7121-SS-___



Z7200-SS-___



Z7200-SS-HW-LH

PRODUCT NO.	DESCRIPTION	OPTIONAL ACCESSORIES	WEIGHT (LBS.)	UPC
Z7201 Series				
All Z7201 units are tub and shower mixing valves with accessories (Z7000-A1, Z7000-S1 and Z7000-T2). Does include shower head, shower arm, arm escutcheon, and tub spout. 1/2" female solder inlet connections are standard. ASSE Listed 1016, IAPMO Listed, CSA Certified B125.				
Z7201-SS-LH	The Z7201 series is a tub and shower mixing valve with service stops that incorporates the pressure balance piston design feature. It is supplied with built-in choke and adjustable stop screw to limit maximum temperature. The valve includes ABS plastic chrome-plated trim (cover, escutcheon, and metal lever handle).	-A2, -BC, -CC, -DV-2P, -HW, -HW6, -IP, -MT, -RC, -SC, -S5, -S6, -S7, -S8, -S9, -S10, -T2-SJ, -T4, -WF	4.5	670240605398
Z7201-SS-MT	The Z7201 series is a tub and shower mixing valve with service stops that incorporates the pressure balance piston design feature. It is supplied with built-in choke and adjustable stop screw to limit maximum temperature. The valve includes metal chrome-plated trim (cover, nut, escutcheon, and metal lever handle).	-A2, -BC, -CC, -DV-2P, -HW, -HW6, -IP, -RC, -SC, -S5, -S6, -S7, -S8, -S9, -S10, -T2-SJ, -T4, -WF	5	670240605589
Z7220 Series				
All Z7220 units are tub and shower mixing valves with volume control/ integral diverter. Shower arm, shower heads, and tub spouts may not be added (see Z7221 series). Does not include shower head, shower arm, arm escutcheon or tub spout. 1/2" female solder inlet connections are standard. ASSE Listed 1016, IAPMO Listed, CSA Certified B125.				
Z7220-SS-LH	The Z7220 series is a tub and shower mixing valve with service stops and integral diverter that incorporates the pressure balance piston design feature. It is supplied with integral diverter valve and adjustable stop screw to limit maximum temperature. The valve includes ABS plastic chrome-plated trim (cover, escutcheon, and metal lever handle).	-BC, -CC, -DV-2P, -HW, -HW6, -IP, -MT, -RC, -SC, -WF	4	670240605404
Z7220-SS-MT	The Z7220 series is a tub and shower mixing valve with service stops and integral diverter that incorporates the pressure balance piston design feature. It is supplied with integral diverter valve and adjustable stop screw to limit maximum temperature. The valve includes metal chrome-plated trim (cover, nut, escutcheon, and metal lever handle).	-BC, -CC, -DV-2P, -HW, -HW6, -IP, -RC, -SC, -WF	4.5	-
Z7221 Series				
All Z7221 units are tub and shower mixing valves with volume control/integral diverter. Units include accessories (Z7000-A1, Z7000-S1, and Z7000-T1). Does include shower head, shower arm, arm escutcheon, and tub spout. 1/2" female solder inlet connections are standard. ASSE Listed 1016, IAPMO Listed, CSA Certified B125.				
Z7221-SS-LH	The Z7221 series is a tub and shower mixing valve with service stops and integral diverter that incorporates the pressure balance piston design feature. It is supplied with integral diverter valve and adjustable stop screw to limit maximum temperature. The valve includes ABS plastic chrome-plated trim (cover, escutcheon, and metal lever handle).	-A2, -BC, -CC, -DV-2P, -HW, -HW6, -IP, -MT, -RC, -SC, -S5, -S6, -S7, -S8, -S9, -S10, -T1-SJ, -T3, -WF	4.5	670240605411
Z7221-SS-MT	The Z7221 series is a tub and shower mixing valve with service stops and integral diverter that incorporates the pressure balance piston design feature. It is supplied with integral diverter valve and adjustable stop screw to limit maximum temperature. The valve includes metal chrome-plated trim (cover, nut, escutcheon, and metal lever handle).	-A2, -BC, -CC, -DV-2P, -HW, -HW6, -IP, -RC, -SC, -S5, -S6, -S7, -S8, -S9, -S10, -T1-SJ, -T3, -WF	5	-
Z7221-SS-LH-DV-2P-HW	The Z7221 series is a tub and shower mixing valve with service stops and integral diverter that incorporates the pressure balance piston design feature. It is supplied with integral diverter valve and adjustable stop screw to limit maximum temperature. The valve includes ABS plastic chrome-plated trim (cover, escutcheon, and metal lever handle). Unit is also furnished with two-way diverter valve (DV-2P), handwall unit, 60" metal hose, standard handset, supply elbow and flange, 24" slide bar.	-A2, -BC, -CC, -DV-3P, -H7, -H9, -HW6, -IP, -MT, -RC, -SC, -S5, -S6, -S7, -S8, -S9, -S10, -T1-SJ, -T3, -WF	8	-



TEMP-GARD® SERIES III - SHOWER VALVES

PRODUCT NO.	DESCRIPTION	OPTIONAL ACCESSORIES	WEIGHT (LBS.)	UPC
Z7300 Series				
All Z7300 units are tub and shower mixing valves. Unit is not furnished with accessories. For shower only with accessories see Z7301 valve series or for tub and shower with accessories see Z7302 valve series. ASSE 1016 listed, CSA B125 certified, ASME A112.18.1 tested, and IAPMO listed. Copper sweat connections are available; please specify -SSC.				
Z7300-SS-MT	The Z7300 series is a pressure balanced, single handle tub and shower 4-port mixing valve only with service stops/check stops, metal chrome-plated trim and handle, 1/2" female NPT inlets and outlets, ceramic control cartridge, adjustable temperature limit stop, and separate tub port plug.	-CPVC, -DV-2P, -HW, -HW6, -PEX, -SSC, -ST, -STN, -WF	9.6	670240651340
Z7300-SS-MT-HW	The Z7300 series is a pressure balanced, single handle tub and shower 4-port mixing valve only with service stops/check stops, metal chrome-plated trim and handle, 1/2" female NPT inlets and outlets, ceramic control cartridge, adjustable temperature limit stop, and separate tub port plug. Unit is also furnished with handwall shower unit, 60" metal hose, standard handset, supply elbow and flange, 24" slide bar.	-CPVC, -DV-2P, -H7, -H9, -HW6, -PEX, -SSC, -ST, -S10, -WF	8	670240651388
Z7301 Series				
All Z7301 units are shower only mixing valves. Unit is furnished with accessories (Z7000-A1 and Z7000-S1). ASSE 1016 listed, CSA B125 Certified, ASME A112.18.1 tested, and IAPMO listed. Copper sweat connections are available; please specify -SSC.				
Z7301-SS-MT	The Z7301 series is a pressure balanced, single handle shower 4-port mixing valve only with service stops/check stops, metal chrome-plated trim and handle, 1/2" female NPT inlets and outlets, ceramic control cartridge, adjustable temperature limit stop, and tub port plug. Unit is furnished with accessories Z7000-S1 shower head and Z7000-A1 shower arm and flange.	-A2, -CPVC, -DV-2P, -HW, -HW6, -PEX, -SSC, -ST, -STN, -S5, -S6, -S7, -S8, -S9, -S10, -WF	5.1	670240651357
Z7301-SS-MT-DV-2P-HW	The Z7301 series is a pressure balanced, single handle shower 4-port mixing valve only with service stops/check stops, chrome-plated trim and handle, 1/2" female NPT inlets and outlets, ceramic control cartridge, adjustable temperature limit stop, and tub port plug. Unit is furnished with accessories Z7000-S1 shower head and Z7000-A1 shower arm and flange, two-way diverter valve (DV-2P), handwall unit, 60" metal hose, standard handset, supply elbow and flange, 24" slide bar.	-A2, -CPVC, -H7, -H9, -HW6, -PEX, -SSC, -ST, -S5, -S6, -S7, -S8, -S9, -S10, -WF	10.7	670240405837
Z7302 Series				
All Z7302 units are tub and shower mixing valves. Unit is furnished with accessories (Z7000-A1, Z7000-S1, and Z7000-T2). ASSE 1016 listed, CSA B125 certified, ASME A112.18.1 tested, and IAPMO listed. Copper sweat connections are available; please specify -SSC.				
Z7302-SS-MT	The Z7302 series is a pressure balanced, single handle tub and shower 4-port mixing valve only with service stops/check stops, metal chrome-plated trim and handle, 1/2" female NPT inlets and outlets, ceramic control cartridge, and adjustable temperature limit stop. Unit is furnished with accessories Z7000-S1 shower head, Z7000-A1 shower arm and flange, and Z7000-T2 diverter tub spout.	-A2, -CPVC, -DV-2P, -HW, -HW6, -PEX, -SSC, -ST, -STN, -S5, -S6, -S7, -S8, -S9, -S10, -T2-SJ, -T4, -WF	5.7	670240651371
Z7302-SS-MT-DV-2P-HW	The Z7302 series is a pressure balanced, single handle tub and shower 4-port mixing valve only with service stops/check stops, metal chrome-plated trim and handle, 1/2" female NPT inlets and outlets, ceramic control cartridge, and adjustable temperature limit stop. Unit is furnished with accessories Z7000-S1 shower head and Z7000-A1 shower arm and flange, Z7000-T2 diverter tub spout, two-way diverter valve (DV-2P), handwall unit, 60" metal hose, standard handset, supply elbow and flange, 24" slide bar.	-A2, -CPVC, -H7, -H9, -HW6, -PEX, -SSC, -ST, -S5, -S6, -S7, -T2-SJ, -S8, -S9, -S10, -T4, -WF	11.2	-



Z7300-SS-MT



Z7300-SS-MT-HW



Z7301-SS-MT



Z7301-SS-MT-DV-2P-HW



Z7302-SS-MT



Z7302-SS-MT-DV-2P-HW

TEMP-GARD® AQUA-PANEL

PRODUCT NO.	DESCRIPTION	WEIGHT (LBS.)	UPC
Z7500 Series			
Stainless steel shower unit of 18-gauge shroud with pressure balanced mixing valve, service stops, and metal lever handle. The unit is complete with an institutional brass ball joint shower head, soap dish, and piping.			
Z7500	Standard shroud - Length 32"	13	670240570139
Z7500-DV-HW	Standard shroud with two way diverter valve w/handwall shower unit complete with 24" [610mm] mounting bar unit, 60" [1524mm] metal hose and standard handset.	21	-
Z7500-HW	Standard shroud with handwall shower unit complete with 24" [610mm] mounting bar, 60" [1524mm] metal hose and standard handset.	15	670240604964
Z7500-i2	Standard shroud with 2.5 gpm fixed spray institutional shower head	12.5	670240604971
Z7500-LS	Standard shroud less soap dish	12.5	670240570184
Z7500-SL	Short shroud - Length 26"	12	670240570191
Z7500-CR Series			
Stainless steel shower unit for corner installations of 18-gauge shroud with pressure balanced mixing valve, service stops, and metal lever handle. The unit is complete with an institutional brass ball joint shower head, soap dish, and piping.			
Z7500-CR		15	670240570146
Z7500-CR-DV-HW		23	-
Z7500-CR-HW		17	670240636682
Z7500-CR-i2		14.5	670240636675
Z7500-CR-LS		14.5	670240570153
Z7500-CR-SL		14	670240570160



PRODUCT NO.	DESCRIPTION	WEIGHT (LBS.)	UPC
Z7500-TS Series			
Stainless steel tub and showerunit of 18-gauge shroud with pressure balanced mixing valve with diverter tub spout, service stops, and metal lever handle. The unit is complete with an institutional brass ball joint shower head and piping.			
Z7500-TS		18	670240570207
Z7500-TS-i2		26	670240636743
Z7500-TS-HW		26	670240636750

Z7500-W2 Series			
Stainless steel shower unit of 18-gauge shroud with two pressure balanced mixing valves, service stops, and metal lever handles. The unit is complete with an institutional brass ball joint shower head and piping with severe service brackets.			
Z7500-W2		22	670240570214
Z7500-W2-i2		25.5	670240636767
Z7500-W2-HW	Unit with one handwall.	25.5	670240636774

Z7500-W3 Series			
Stainless steel shower unit of 18-gauge shroud with three pressure balanced mixing valves, service stops, and metal lever handles. The unit is complete with an institutional brass ball joint shower head and piping with severe service brackets.			
Z7500-W3		30	670240570221
Z7500-W3-i2		33.5	670240636781
Z7500-W3-HW	Unit with one handwall.	33.5	670240636798



Z7500-TS



Z7500-W2



Z7500-W3

TEMP-GARD® AQUA-PANEL OPTIONS

PRODUCT NO.	DESCRIPTION	LIST/LINEAR INCH
Aqua-Panel Options		
-SC	Pair of dual spring checks	
Custom Modifications		
-TH	Matching horizontal pipe covers and caps; standard width 6" (18-gauge stainless steel is standard) At the time of order, a rough sketch is needed showing location of showers, walls, length of panel runs. NOTE: No orders will be accepted without contractor and/or engineer approval.	18-gauge stainless steel
-TC	Matching thru-ceiling extension pipe covers, standard width 6" (18-gauge stainless steel is standard) 1) After length needed is determined, use part number 7500-8EX-length needed. Please specify length to the nearest .25".	
	2) Add following brackets pricing (One of each bracket is used per vertical extension.):	External: 7500-17A&B

TEMP-GARD® ACCESSORIES

PRODUCT NO.	DESCRIPTION	UPC
Temp-Gard I Shower Valve Series Handles		
Z7000-LH	Lever handle	670240569164
Z7000-STH	Standard ABS chrome-plated handle with screw and button	670240569263
Temp-Gard III Shower Valve Series Handles		
RK7300-LH	Lever handle	670240652446
Arms		
Z7000-A1	Standard 6" shower arm and stamped escutcheon	670240568815
Z7000-A1-STN	Standard 6" shower arm and stamped escutcheon; satin nickel	670240391130
Z7000-A2	Standard 6" shower arm and cast escutcheon	670240568822
Z7000-A3	8" shower arm and stamped escutcheon	670240627604
Z7000-A4	8" shower arm and cast escutcheon	670240627611
Conversion Hardware for Shower Valves		
Z7000-CC	Stainless steel conversion cover plate and hardware	670240568860
Z7000-WF	TG1 Wall mount flange for fiberglass installations	670240569331
RK7300-WF	TG3 Wall mount flange for fiberglass installations	670240648265
Shower Heads		
Z7000-S1	Standard ABS plastic chrome-plated shower head with brass ball joint connector; 2.5 GPM max	670240569188
Z7000-S5	Large brass shower head with spray adjustment, chrome finish; 2.5 GPM max	670240569218
Z7000-S5-2.0	Large brass shower head with spray adjustment, chrome finish; 2.0 GPM max	670240242647
Z7000-S5-1.75	Large brass shower head with spray adjustment, chrome finish; 1.75 GPM max	670240242654
Z7000-S5-1.5	Large brass shower head with spray adjustment, chrome finish; 1.5 GPM max	670240242661
Z7000-S5-1.25	Large brass shower head with spray adjustment, chrome finish; 1.25 GPM max	670240387577
Z7000-S5-STN	Large brass shower head with spray adjustment, satin nickel finish; 2.5 GPM max	670240408616
Z7000-S5-VP	Large brass shower head with spray adjustment, chrome finish, vandal resistant; 2.5 GPM max	670240623750
Z7000-S6	Small brass shower head with brass ball joint connector, spray adjustment, chrome finish; 2.5 GPM max	670240569225
Z7000-S6-2.0	Small brass shower head with brass ball joint connector and spray adjustment, chrome finish; 2.0 GPM max	670240242517
Z7000-S6-1.75	Small brass shower head with brass ball joint connector and spray adjustment, chrome finish; 1.75 GPM max	670240242524
Z7000-S6-1.5	Small brass shower head with brass ball joint connector and spray adjustment, chrome finish; 1.5 GPM max	670240242531
Z7000-S6-1.25	Small brass shower head with brass ball joint connector and spray adjustment, chrome finish; 1.25 GPM max	670240387614
Z7000-S6-VP	Small brass shower head with brass ball joint connector and spray adjustment, chrome finish, vandal resistant; 2.5 GPM max	670240623767
Z7000-S6-STN	Small brass shower head with brass ball joint connector, spray adjustment, satin nickel finish; 2.5 GPM max	670240408623
Z7000-S7	Brass fixed spray shower head with brass ball joint connector, fixed spray pattern, chrome finish; 2.2 GPM max	670240569232
Z7000-S7-VP	Brass fixed spray shower head with brass ball joint connector, fixed spray pattern, chrome finish, vandal resistant; 2.2 GPM max	670240607187
Z7000-S8	Water saver shower head with adjustable spray and brass ball joint connector, constant flow orifice; 1.75 GPM flow	670240651876
Z7000-S8-STN	Water saver shower head with adjustable spray and brass ball joint connector, constant flow orifice, satin nickel finish; 1.75 GPM flow	670240393929
Z7000-S9	Water saver shower head with adjustable spray and brass ball joint connector, constant flow orifice; 1.5 GPM flow	670240651883
Z7000-S9-STN	Water saver shower head with adjustable spray and brass ball joint connector, constant flow orifice, satin nickel finish; 1.5 GPM flow	670240393936
Z7000-S10	Water saver shower head with adjustable spray and brass ball joint connector, constant flow orifice; 1.25 GPM flow	670240388369



Z7000-S1



Z7000-S5



Z7000-S5-VP



Z7000-S6



Z7000-S6-VP



Z7000-S7



Z7000-S7-VP



Z7000-S8



Z7000-S9

PRODUCT NO.	DESCRIPTION	UPC
Institutional Shower Heads		
Z7000-I2-1.25	Institutional wall mount with fixed spray shower head; 1.25 GPM max	670240446229
Z7000-I2-1.5	Institutional wall mount with fixed spray shower head; 1.5 GPM max	670240446236
Z7000-I2-1.75	Institutional wall mount with fixed spray shower head; 1.75 GPM max	670240446243
Z7000-I2-2.0	Institutional wall mount with fixed spray shower head; 2.0 GPM max	670240446250
Z7000-I2	Institutional wall mount with fixed spray shower head; 2.5 GPM max	670240569119
Z7000-I5-1.25	Institutional wall mount with large brass shower head with spray adjustment, chrome finish; 1.25 GPM max	670240700581
Z7000-I5-1.5	Institutional wall mount with large brass shower head with spray adjustment, chrome finish; 1.5 GPM max	670240249417
Z7000-I5-1.75	Institutional wall mount with large brass shower head with spray adjustment, chrome finish; 1.75 GPM max	670240249424
Z7000-I5-2.0	Institutional wall mount with large brass shower head with spray adjustment, chrome finish; 2.0 GPM max	670240249431
Z7000-I5	Institutional wall mount with large brass shower head with spray adjustment, chrome finish; 2.5 GPM max	670240569133
Z7000-I6-1.25	Institutional wall mount with small brass shower head with brass ball joint connector, spray adjustment, chrome finish; 1.25 GPM max	670240700598
Z7000-I6-1.5	Institutional wall mount with small brass shower head with brass ball joint connector, spray adjustment, chrome finish; 1.5 GPM max	670240249448
Z7000-I6-1.75	Institutional wall mount with small brass shower head with brass ball joint connector, spray adjustment, chrome finish; 1.75 GPM max	670240249462
Z7000-I6-2.0	Institutional wall mount with small brass shower head with brass ball joint connector, spray adjustment, chrome finish; 2.0 GPM max	670240250567
Z7000-I6	Institutional wall mount with small brass shower head with brass ball joint connector, spray adjustment, chrome finish; 2.5 GPM max	670240569140
Z7000-I7	Institutional wall mount brass fixed spray shower head with brass ball joint connector, fixed spray pattern, chrome finish; 2.2 GPM max	670240569157
Z7000-I8	Institutional wall mount water saver shower head with adjustable spray and brass ball connector, constant flow orifice; 1.75 GPM flow	670240395862
Z7000-I9	Institutional wall mount water saver shower head with adjustable spray and brass ball connector, constant flow orifice; 1.5 GPM flow	670240395879
Z7000-I10-AQ	Institutional wall mount water saver shower head with adjustable spray and brass ball connector, constant flow orifice; 1.25 GPM flow	670240811959
Z7000-AP	Anchor plate assembly with screws for wall mount shower heads; for tile applications	670240568846
Z7000-BP	Base plate assembly with screws for wall mount shower heads; for walls over 4"	670240568853
Diverter Valves and Spring Checks		
Z7000-DV-2P	Two-way diverter valve; three-port 1/2" copper sweat	670240568891
Z7000-DS	Shower arm diverter; push/pull type, for hand shower units only	670240568877
Z7000-SC	Pair of dual spring checks	670240569249
Miscellaneous Diverter Valve Parts		
7073-33	Spring	670240620896
7073-80	Friction ring	670240438286
7073-81	Escutcheon assembly	670240611764
Handwall Units		
Z7000-HW	Handwall shower unit, 60" metal hose, standard handset, supply elbow and flange, 24" slide bar	670240568990
Z7000-HW2	Handwall shower unit, 69" metal hose, standard handset, supply elbow and flange, 24" slide bar	670240569034
Z7000-HW3	Handwall shower unit, 69" metal hose, standard handset, supply elbow and flange, 48" slide bar	670240569041
Z7000-HW4	Handwall shower unit, 69" vinyl/nylon hose, standard handset, supply elbow and flange, 24" slide bar	670240569058
Z7000-HW5	Handwall shower unit, 69" vinyl/nylon hose, standard handset, supply elbow and flange, 48" slide bar	670240569065
Z7000-HW6	Handwall shower unit, 60" metal hose, standard handset, supply elbow and flange, 24" slide bar and vacuum breaker	670240569072
Z7000-HW7	Handwall shower unit, 60" vinyl/nylon hose, standard handset, supply elbow and flange, 24" slide bar	670240569379
Z7000-HW8	Standard handwall shower unit, 60" metal hose, standard handset, supply elbow and flange, with two wall hooks	670240569089
Z7000-HW9	Standard handwall shower unit, 60" metal hose, standard handset, supply elbow and flange, with two wall hooks and in-line vacuum breaker	670240569096
Z7000-HW10	Standard handwall shower unit, 60" stainless hose, standard handset, supply elbow and flange, with two wall hooks and in-line vacuum breaker	670240569003
Z7000-HW11	Handwall shower unit, 60" metal hose, standard handset, supply elbow and flange, 30" slide bar	670240569010
Z7000-HW13	Handwall shower unit, 69" metal hose, standard handset, supply elbow and flange, 30" slide bar	670240603561
Z7000-HW14	Handwall shower unit, 60" metal hose, standard handset, supply elbow and flange, 36" grab bar with holder	670240250833
Z7000-HW15	Handwall shower unit, 60" metal hose, standard handset, supply elbow and flange, 24" grab bar with holder	670240250840



HW

PRODUCT NO.	DESCRIPTION	UPC
Handshower Units		
Z7000-HS	Handshower unit with 60" metal hose, standard handset, 24" slide bar, and shower arm diverter valve	670240568945
Z7000-HS2	Handshower unit with 60" metal hose, standard handset, 24" slide bar, shower arm diverter valve, and in-line vacuum breaker	670240568952
Z7000-HS3	Handshower unit with 60" vinyl/nylon hose, standard handset, 24" slide bar, and shower arm diverter valve	670240568969
Z7000-HS4	Handshower unit with 60" metal hose, standard handset, two wall hooks, and shower arm diverter valve	670240568976
Z7000-HS5	Handshower unit with 60" vinyl/nylon hose, standard handset, two wall hooks, and shower arm diverter valve	670240568983
Z7000-HS6	Handshower unit with 69" metal hose, standard handset, 48" slide bar, and shower arm diverter valve	670240603554
Miscellaneous Handwall Parts		
7080-92	24" slide bar	670240603769
7081-92	48" slide bar	670240605596
7082-92	30" slide bar	670240605619
Handwall and Handshower Options/Accessories		
Z7000-GBH	Handwall shower head holder, for grab bar only	670240240940
Z7000-GB24	24" stainless steel grab bar	670240240926
Z7000-GB36	36" stainless steel grab bar	670240240919
Z7000-GB24H	24" stainless steel grab bar with handwall shower head holder	670240240902
Z7000-GB36H	36" stainless steel grab bar with handwall shower head holder	670240240896
Z7000-H1	Standard hand-held shower head with chrome finish; 2.5 gpm	670240604001
Z7000-H2	Hand-held shower head with shut-off lever; off white finish	670240568914
Z7000-H4	Hand-held shower head with pulse spray and shut-off lever; off-white finish	670240568938
Z7000-H7	Hand-held shower head with chrome finish; 2.0 gpm	670240238022
Z7000-H9	Hand-held shower head with chrome finish; 1.5 gpm	670240238039
Z7000-H10	2.0 gpm chrome plated plastic hand-held shower device with non-positive water shut-off pause button feature	670240007956
Z7000-H12	1.5 gpm chrome plated plastic hand-held shower device with non-positive water shut-off pause button feature	670240008038
Z7000-QD	Quick disconnect in-line hose connector	670240569171
Z7000-SE	Brass chrome-plated supply elbow and flange	670240569256
Tub Spouts		
Z7000-T2	Standard tub spout with pull-up diverter with 1/2" female IPS	670240569294
Z7000-T4	Cast brass tub spout with diverter, chrome finish and 1/2" female IPS	670240569317
Atmospheric Vacuum Breakers		
Z7000-VB	In-line vacuum breaker for use with 1/2" handwall hose	670240569324
Repair Kit for Metering Valve		
G60522	Metering handle assembly	670240414556
G60561	Handle nut assembly	670240414631
G67800	Metering cartridge assembly	670240402027
G61994	Shower valve escutcheon	670240441255
G67788	Shank filter assembly	670240395534
Tract Packs for Temp-Gard I Series Valves		
TPK7100-SS	3-Port shower only valve with service stops	670240568549
TPK7120-SS	3-Port shower only valve with volume control and service stops	670240568587
TPK7200-SS	4-Port tub and shower valve with service stops	670240568631
TPK7220-SS	4-Port tub and shower valve with integral diverter valve and service stops	670240569454



When ordering parts, always list product number and description.

For additional product information, please visit www.zurn.com.

PRODUCT NO.	DESCRIPTION	UPC
Tract Packs for Temp-Gard III Series Valves		
TPK7300-SS	4-Port valve only with tub plug, service stops, and 1/2" female NPT threaded connections	670240645332
TPK7300-SSC	4-Port valve only with tub plug, service stops, and 1/2" copper sweat connections	670240646933
TPK7300-SS-STN	4-Port valve only with tub plug, satin nickel finish, service stops, and 1/2" female NPT threaded connections	670240399167
TPK7300-SSC-STN	4-Port valve only with tub plug, satin nickel finish, service stops, and 1/2" copper sweat connections	670240392182
Trim Packs for Temp-Gard I Series Valves		
TMPK7100	Trim pack for shower valve only; chrome-plated ABS plastic main cover, escutcheon, standard handle; complete with dial plate and screws	670240569348
TMPK7100-LH	Trim pack for shower valve only; chrome-plated ABS plastic main cover, escutcheon, metal lever handle; complete with dial plate and screws	670240569393
TMPK7100-MT	Trim pack for shower valve only; chrome-plated metal main cover, escutcheon, metal lever handle; complete with dial plate and screws	670240569355
TMPK7101	Trim pack for shower valve with accessories; chrome-plated ABS plastic main cover, escutcheon, standard handle, shower head, shower arm, arm escutcheon; complete with dial plate and screws	670240568310
TMPK7101-LH	Trim pack for shower valve with accessories; chrome-plated ABS plastic main cover, escutcheon, metal lever handle, shower head, shower arm, arm escutcheon; complete with dial plate and screws	670240399136
TMPK7101-MT	Trim pack for shower valve with accessories; chrome-plated metal main cover, escutcheon, metal lever handle, shower head, shower arm, arm escutcheon; complete with dial plate and screws	670240568327
TMPK7120	Trim pack for shower valve only with volume control; chrome-plated ABS plastic main cover, escutcheon, standard handle, volume control handle; complete with dial plate and screws	670240568334
TMPK7120-LH	Trim pack for shower valve only with volume control; chrome-plated ABS plastic main cover, escutcheon, metal lever handle, volume control handle; complete with dial plate and screws	670240569409
TMPK7120-MT	Trim pack for shower valve only with volume control; chrome-plated metal main cover, escutcheon, metal lever handle, volume control handle; complete with dial plate and screws	670240570061
TMPK7121	Trim pack for shower valve only with volume control and accessories; chrome-plated ABS main cover, escutcheon, standard handle, diverter handle, shower head, shower arm, arm escutcheon; complete with dial plate and screws	670240568341
TMPK7121-LH	Trim pack for shower valve only with volume control and accessories; chrome-plated ABS main cover, escutcheon, metal lever handle, diverter handle, shower head, shower arm, arm escutcheon; complete with dial plate and screws	670240623576
TMPK7121-MT	Trim pack for shower valve only with volume control and accessories; chrome-plated metal main cover, escutcheon, metal lever handle, diverter handle, shower head, shower arm, arm escutcheon; complete with dial plate and screws	670240568358
TMPK7200	Trim pack for tub and shower valve only; chrome-plated ABS plastic main cover, escutcheon, standard handle; complete with dial plate and screws	670240568365
TMPK7200-LH	Trim pack for tub and shower valve only; chrome-plated ABS plastic main cover, escutcheon, metal lever handle; complete with dial plate and screws	670240569416
TMPK7200-MT	Trim pack for tub and shower valve only; chrome-plated metal main cover, escutcheon, metal lever handle; complete with dial plate and screws	670240568372
TMPK7201	Trim pack for tub and shower valve only with accessories; chrome-plated ABS plastic main cover, escutcheon, standard handle, shower head, shower arm, arm escutcheon, diverter tub spout, complete with dial plate and screws	670240568389
TMPK7201-LH	Trim pack for tub and shower valve with accessories; chrome-plated ABS plastic main cover, escutcheon, metal lever handle, showerhead, shower arm, arm escutcheon, diverter tub spout; complete with dial plate and screws	670240568396
TMPK7201-MT	Trim pack for tub and shower valve with accessories; chrome-plated metal main cover, escutcheon, metal lever handle, showerhead, shower arm, arm escutcheon, diverter tub spout; complete with dial plate and screws	670240568402
TMPK7220	Trim pack for tub and shower valve with volume control, chrome-plated ABS plastic main cover, escutcheon, standard handle, volume control handle; complete with dial plate and screws	670240569423
TMPK7220-LH	Trim pack for tub and shower valve with volume control, chrome-plated ABS plastic main cover, escutcheon, metal lever handle, volume control handle; complete with dial plate and screws	670240568419
TMPK7220-MT	Trim pack for tub and shower valve with volume control; chrome-plated metal main cover, escutcheon, metal lever handle, volume control handle; complete with dial plate and screws	670240568426
TMPK7221	Trim pack for tub and shower valve with volume control and accessories, chrome-plated ABS plastic main cover, escutcheon, standard handle, volume control handle, shower head, shower arm, arm escutcheon, tub spout; complete with dial plate and screws	670240568433
TMPK7221-LH	Trim pack for tub and shower valve with volume control and accessories; chrome-plated ABS plastic main cover, escutcheon, metal lever handle, volume control handle, shower head, shower arm, arm escutcheon, tub spout; complete with dial plate and screws	670240623583
TMPK7221-MT	Trim pack for tub and shower valve with volume control and accessories; chrome-plated metal main cover, escutcheon, metal lever handle, volume control handle, shower head, shower arm, arm escutcheon, tub spout; complete with dial plate and screws	670240569362

PRODUCT NO.	DESCRIPTION	UPC
Trim Packs for Temp-Gard III Series Valves		
TMPK7300-MT	Chrome-plated metal cover with index, escutcheon nut, handle, screws, and gasket	670240646940
TMPK7301-MT	Chrome-plated metal cover with index, escutcheon nut, handle, screws, and gasket, Z7000-S1 shower head, Z7000-A1 shower arm and shower flange	670240355651
TMPK7302-MT	Chrome-plated metal cover with index, escutcheon nut, handle, screws, and gasket, Z7000-S1 shower head, Z7000-A1 shower arm and shower flange, and Z7000-T2 diverter tub spout	670240355644
TMPK7300-ST	Sierra® Series chrome-plated metal cover, escutcheon nut, handle, screws, gasket, and plastic dial plate	670240651630
TMPK7300-STN	Sierra® Series satin nickel metal cover, escutcheon nut, handle, screws, gasket, and plastic dial plate	670240391123
TMPK7301-ST	Sierra® Series chrome-plated metal cover, escutcheon nut, handle, screws, gasket, plastic dial plate, shower head, shower arm, and shower flange	-
TMPK7301-STN	Sierra® Series satin nickel metal cover, escutcheon nut, handle, screws, gasket, plastic dial plate, shower head, shower arm, and shower flange	670240241794
TMPK7302-ST	Sierra® Series chrome-plated metal cover, escutcheon nut, handle, screws, gasket, plastic dial plate, shower head, shower arm, shower flange, and diverter tub spout	-
TMPK7302-STN	Sierra® Series satin nickel metal cover, escutcheon nut, handle, screws, gasket, plastic dial plate, shower head, shower arm, shower flange, and diverter tub spout	670240409330
Shower Valve Repair Kits for Temp-Gard I Series Valves		
RK7000-100	Repair kit, packing.	670240568044
RK7000-110	Repair kit, adjustment screw	670240568051
RK7000-11AB	Repair kit, two trim screws, black anodized stainless	670240568075
RK7000-120	Repair kit, seal replacement kit	670240568099
RK7000-180	Repair kit, hot and cold seat replacement	670240568105
RK7000-18RC	Repair kit, reverse core valve seat	670240568112
RK7000-18TOOLS	Repair kit, seat tools	670240568129
RK7000-200	Repair kit, complete bonnet nut with adjusting screw	670240568136
RK7000-50	Repair kit, valve stem complete	670240568150
RK7000-50ACL	Repair kit, valve stem complete (Andre Collection)	670240604209
RK7000-50A	Repair kit, service stops	670240568167
RK7000-50FL	Repair kit, stem, for harsh water conditions	670240568204
RK7000-50B	Repair kit, diverter stem for Z7220 Series manufactured prior to the year 2000 (Cream Colored)	670240568174
RK7000-50BN	Repair kit, diverter stem for Z7220 Series manufactured during or after the year 2000 (White with Black Gasket)	670240604810
RK7000-50C	Repair kit, diverter stem for Z7120 Series (Black).	670240568181
RK7000-50EXT	Extension kit for the RK7000-50, increases length by 1-1/4"	670240568198
RK7073-50	Repair kit, 2-way and 3-way replacement stem complete RK	670240568228
Shower Valve Repair Kits for Temp-Gard III Series Valves		
RK7300-CART-3P	Pressure balancing cartridge	670240462519
RK7300-EXT	Extension kit, polished chrome, increases length by 1"	670240392281
RK7300-LH	Lever handle	670240652446
RK7300-WF	Wall flange	670240648265
RK7300-11AE-001	Standard 3" cover screws	670240652453
RK7300-11AE-002	4" cover screws	670240399112
RK7300-11AV	Vandal-resistant 3" cover screws	670240223752
RK7300-50A	Service/check stop repair kit	670240659223
Miscellaneous Temp-Gard I Parts		
7000-3	Diverter retainer	670240608641
7000-3D	Stop retainer	670240604308
7000-6C	Diverter handle	670240603691
7000-11D	Retainer screw	670240604216
7000-32	Diverter handle retainer clip	670240603820
7000-90	Cover gasket	670240603837
Miscellaneous Temp-Gard III Parts		
7300-81MT	Escutcheon	670240656772
Shower Valve Repair Kits for Aqua-Panel		
RK7500-50A	Repair kit, service stops	670240627963
RK7500-200	Repair kit, complete bonnet nut	670240646124

All other repair kits are the same as Temp-Gard I series valve.

PRODUCT NO.	DESCRIPTION	UPC
Miscellaneous Aqua-Panel Parts		
7000-12E	Flow control washer	670240610538
7500-29	Outlet adapter	670240608863
Sierra® Faucet Repair Kits		
RK7440-3	Retaining nut	670240646803
RK7440-90	Base plate	670240646810
RK7440-CART	Ceramic control cartridge	670240626683
RK7440-HK	Inlet gasket kit with brass nuts	670240607217
RK7440-36W	Spout repair kit	670240396906
Sierra® Faucet Aerators, Z7440		
7440-94FC/WK	0.5 GPM vandal-resistant aerator	670240568006
7440-94LA	2.2 GPM laminar flow outlet	670240568013
RK7440-94SO	1.0 GPM spray outlet	670240212107
7440-94VP/WK	2.2 GPM vandal-resistant aerator	670240568020
Sierra® Faucet Handles, Z7440		
RK7440-LH	Standard lever handle assembly	670240568242
Sierra® Faucet Aerators, Z74500		
RK74500-94	Standard 2.2 GPM aerator	670240427488
RK74500-94FC	0.5 GPM vandal-resistant aerator	670240242357
RK74500-94LA	2.2 GPM laminar flow outlet	670240242340
RK74500-94SO	1.0 GPM spray outlet	670240212602
RK74500-94VP	2.2 GPM vandal-resistant aerator	670240242364
Z74500, Z74600, and Z74700 Handles and Indexes		
G60501	2-1/2" vandal-resistant metal lever handles	670240414495
G60503	Vandal-resistant metal four-arm handles	670240414501
G60504	4" vandal-resistant metal wrist blade handles	670240414518
G60508	6" vandal-resistant metal wrist blade handles	670240414525
G67812	Hot and cold indexes, satin nickel finish	670240188709
Miscellaneous Sierra® Faucet Parts		
Z8743-PC	1-1/4" grid drain assembly	084169618207
7340-920	Lift rod	670240659339
7342-PUA	1-1/4" pop-up drain assembly	670240605626
7342-PUA-STN	1-1/4" pop-up drain assembly, satin nickel	670240393455
Z7870 Series Repair Kits		
RK7872C-XL-DV	Hose spray diverter	670240388253
RK7872C-XL-QR	Quad ring seal kit	670240388246
RK7872C-XL-CART	Cartridge assembly	670240388222
RK7872C-XL-3	Bonnet nut assembly	670240388215
RK7872C-XL-6	Lever handle assembly	670240388208
RK7872C-XL-21	Spray hose and handset assembly	670240388239
Z7870C Series Aerators		
RK7872C-94FC	0.5 GPM vandal-resistant aerator	670240397590
RK7872C-94LA	2.2 GPM laminar flow outlet	670240242487
RK7872C-94VP	2.2 GPM vandal-resistant aerator	670240242494

TUBULAR BRASS

STANDARD LAVATORY SUPPLY STOPS AND KITS

Z8800-XL SERIES PIPE - COMPRESSION (3/8 IPS X 3/8 OD)	98
Z8802-XL SERIES PIPE - COMPRESSION (1/2 IPS X 3/8 OD)	98
Z8803-XL SERIES PIPE - COMPRESSION (1/2 IPS X 1/2 OD)	98
Z8804-XL SERIES COMPRESSION - COMPRESSION (1/2 NOM X 3/8 OD)	99
Z8806-XL SERIES COPPER SWEAT - COMPRESSION (1/2 SWT X 3/8 OD)	100
Z8808-XL SERIES COPPER SWEAT - COMPRESSION (1/2 SWT X 3/8 OD)	100

HEAVY-DUTY LAVATORY SUPPLY STOPS AND KITS

ZH8820-XL SERIES PIPE - COMPRESSION (3/8 IPS X 3/8 OD)	101
ZH8822-XL SERIES PIPE - COMPRESSION (1/2 IPS X 3/8 OD)	101
ZH8823-XL SERIES PIPE - COMPRESSION (1/2 IPS X 1/2 OD)	101
ZH8824-XL SERIES COMPRESSION - COMPRESSION (1/2 NOM X 3/8 OD)	101
ZH8826-XL SERIES COPPER SWEAT - COMPRESSION (1/2 SWT X 3/8 OD)	101
ZH8827-XL SERIES COPPER SWEAT - COMPRESSION (1/2 SWT X 3/8 OD)	101

STANDARD CLOSET SUPPLY STOPS AND KITS

Z8800-XL SERIES PIPE - COMPRESSION (3/8 IPS X 3/8 OD)	102
Z8802-XL SERIES PIPE - COMPRESSION (1/2 IPS X 3/8 OD)	102
Z8803-XL SERIES PIPE - COMPRESSION (1/2 IPS X 1/2 OD)	102
Z8804-XL SERIES COMPRESSION - COMPRESSION (1/2 NOM X 3/8 OD)	102
Z8806-XL SERIES COPPER SWEAT - COMPRESSION (1/2 IPS X 3/8 OD)	102

Z8808-XL SERIES COPPER SWEAT - COMPRESSION (1/2 SWT X 3/8 OD)	102
---	-----

BRAIDED STAINLESS STEEL SUPPLIES

LAVATORY/SINK SUPPLIES	103
Z8860-XL SERIES COMPRESSION - FEMALE THREADED PIPE (3/8 COMP X 1/2 FIP)	103
Z8861-XL SERIES FEMALE THREADED PIPE - FEMALE THREADED PIPE (1/2 FIP X 1/2 FIP)	103
Z8862-XL SERIES COMPRESSION - FEMALE THREADED PIPE (1/2 COMP X 1/2 FIP)	103
CLOSET SUPPLIES	103
Z8870-XL SERIES COMPRESSION - BALLCOCK NUT (3/8 COMP X 7/8 BALLCOCK NUT)	103

FLANGES AND NIPPLES

FLANGES	104
NIPPLES	104

SEMI-CAST TRAPS

COMMERCIAL GRADE CAST P-TRAPS WITH FULL C/E LENGTH TUBULAR WALL BEND & BRASS SWIVEL NUTS	104
STANDARD CAST P-TRAPS WITH TUBULAR WALL BEND	105
CAST P-TRAPS WITH TUBULAR WALL BEND - TAA COMPLIANT	105
CAST P-TRAPS WITH TUBULAR WALL BEND LESS CLEANOUT	105
ALL-CAST SWIVEL TRAPS WITH COPPER EXTENSION P-TRAP	105

TRAPS

TUBULAR P-TRAPS	106
LESS CLEANOUT	106
WITH CLEANOUT	106
LOW INLET P-TRAPS LESS CLEANOUT	106
LOS ANGELES CODE TRAPS	106
WASHINGTON D.C. TRAPS	106
LESS CLEANOUT	106

MILWAUKEE P-TRAPS	106
WITH CLEANOUT	106

PREMIUM LINE OF BASKET STRAINERS

STICK TYPE SS BASKET STRAINER	107
STICK TYPE SS BASKET STRAINER WITH CHROME-PLATED BRASS BODY	107
FOUR-PRONGED SS BASKET STRAINER CHROME-PLATED BRASS BODY - STAINLESS BASKET	107
STICK TYPE SS BASKET STRAINER WITH LONG SHANK	107
BRASS BODY BASKET STRAINER WITH SPIN AND LOCK BASKET CLOSURE	107
DUPLEX SINK STRAINER 2"-2-1/2" OUTLET	107
JR. 2" BASKET STRAINER	107

STRAINERS, P.O. PLUGS, AND OFFSETS

BEEHIVE URINAL STRAINERS	108
FLAT GRID FIPS URINAL STRAINERS	108
FLAT GRID SINK STRAINERS	108
WIDE TOP SINK STRAINERS	108
HEAVY-DUTY BASKET STRAINERS	109
SOLID TOP, OPEN-GRID P.O. PLUGS	109
SOLID TOP, OPEN-GRID P.O. PLUGS OPTIONS	109
OFFSET LAVATORY STRAINERS, ADA COMPLIANT	110
OFFSET SINK STRAINERS, ADA COMPLIANT	110
CONTINUOUS WASTES	110

OVERFLOWS

BRASS TRIP LEVER WASTES PLUNGER TYPE	111
--------------------------------------	-----

TRAP, STOP, AND SUPPLY PROTECTORS

INSUL-GUARD™ RETROFIT KITS	112
----------------------------	-----

STANDARD LAVATORY SUPPLY STOPS AND KITS

This section includes standard angle control stops and supply kits with wheel handle type, loose key type, and quarter turn options. Standard lavatory supply kits are provided with (2) 12" chrome plated copper riser tubes with (2) chrome plated steel flanges. There are also braided stainless steel hose supply kit options.

PRODUCT NUMBER	DESCRIPTION	UPC
Z8800-XL SERIES PIPE - COMPRESSION (3/8 IPS X 3/8 OD)		
Z8800-XL-PC	Control Stop Standard	670240811508
Z8800-XL-LK-PC	Control Stop Loose Key	670240811485
Z8800-XL-LR-PC	Control Stop Standard w/ Copper Riser Supply Kit	670240824201
Z8800-XL-LR-LK-PC	Control Stop Loose Key w/ Copper Riser Supply Kit	670240833227
Z8802-XL SERIES PIPE - COMPRESSION (1/2 IPS X 3/8 OD)		
Z8802-XL-PC	Control Stop Standard	670240358928
Z8802-XL-LK-PC	Control Stop Loose Key	670240358935
Z8802-XL-LK-Q-PC	Control Stop Loose Key Quarter Turn	-
Z8802-XL-LR-PC	Control Stop Standard w/ Copper Riser Supply Kit	670240454378
Z8802-XL-LR-LK-PC	Control Stop Loose Key w/ Copper Riser Supply Kit	-
Z8802-XL-LR-LK-Q-PC	Control Stop Loose Key Quarter Turn w/ Copper Riser Supply Kit	-
Z8802-XL-Q-PC	Control Stop Standard Quarter Turn	670240389854
Z8802-XL-LR-8860-12-PC	Control Stop Standard w/ SS Hose Supply Kit	-
Z8802-XL-LR-8860-16-PC	Control Stop w/ SS Hose Supply Kit	889934125757
Z8802-XL-LR-LK-8860-12-PC	Control Stop Loose Key w/ SS Hose Supply Kit	670240374409
Z8802-XL-LR-LK-8860-16-PC	Control Stop Loose Key w/ SS Hose Supply Kit	670240815865
Z8802-XL-LR-LK-Q-8860-12-PC	Control Stop Loose Key Quarter Turn w/ SS Hose Supply Kit	-
Z8803-XL SERIES PIPE - COMPRESSION (1/2 IPS X 1/2 OD)		
Z8803-XL-PC	Control Stop Standard	670240824720
Z8803-XL-LK-PC	Control Stop Loose Key	670240824737



Z880_XL-LR-PC



Z880_XL-LR-LK-PC



Z880_XL-LR-8860-12-PC

SUFFIX	DESCRIPTION
-XL	Lead Compliant
-LR	Supply Kit Copper Risers
-LK	Loose Key
-Q	Quarter Turn
-PC	Polished Chrome

For additional product information, please visit www.zurn.com.

When ordering parts, always list product number and description.

All dimensions in inches; all weights in pounds.



PRODUCT NUMBER	DESCRIPTION	UPC
Z8804-XL SERIES COMPRESSION - COMPRESSION (1/2 NOM X 3/8 OD)		
Z8804-XL-PC	Control Stop Standard	670240358973
Z8804-XL-LK-PC	Control Stop Loose Key	670240358980
Z8804-XL-Q-PC	Control Stop Quarter Turn	670240389878
Z8804-XL-LK-Q-PC	Control Stop Loose Key Quarter Turn	-
Z8804-XL-LR-PC	Control Stop Standard w/ Copper Riser Supply Kit	670240385740
Z8804-XL-LR-LK-PC	Control Stop Loose Key w/ Copper Riser Supply Kit	-
Z8804-XL-LR-Q-PC	Control Stop Quarter Turn w/ Copper Riser Supply Kit	-
Z8804-XL-LR-LK-Q-PC	Control Stop Loose Key Quarter Turn w/ Copper Riser Supply Kit	-
Z8804-XL-LR-8860-12-PC	Control Stop Standard w/ SS Hose Supply Kit	-
Z8804-XL-LR-LK-8860-12-PC	Control Stop Loose Key w/ SS Hose Supply Kit	-
Z8804-XL-LR-LK-8860-20-PC	Control Stop w/ SS Hose Supply Kit	889934077216
Z8804-XL-LR-Q-8860-12-PC	Control Stop Quarter Turn w/ SS Hose Supply Kit	-
Z8804-XL-LR-LK-Q-8860-12-PC	Control Stop Loose Key Quarter Turn w/ SS Hose Supply Kit	-



SUFFIX	DESCRIPTION
-XL	Lead Compliant
-LR	Supply Kit Copper Risers
-LK	Loose Key
-Q	Quarter Turn
-PC	Polished Chrome
-3	1/2" IPS x 3" Nipple
-5	3/8" IPS x 5" Nipple
-8860	Braided Stainless Steel

When ordering parts, always list product number and description.

For additional product information, please visit www.zurn.com.

PRODUCT NUMBER	DESCRIPTION	UPC
Z8806-XL SERIES COPPER SWEAT - COMPRESSION (1/2 SWT X 3/8 OD)		
Z8806-XL-PC	Control Stop Standard	670240811560
Z8806-XL-LK-PC	Control Stop Loose Key	670240794627
Z8806-XL-LR-PC	Control Stop Standard w/ Copper Riser Supply Kit	670240841604
Z8806-XL-LR-LK-PC	Control Stop Loose Key w/ Copper Riser Supply Kit	670240841574
Z8806-XL-LR-8860-12-PC	Control Stop Standard w/ Copper Riser Supply Kit and Braided Stainless Steel	670240928336
Z8808-XL SERIES COPPER SWEAT - COMPRESSION (1/2 SWT X 3/8 OD)		
Z8808-XL-PC	Control Stop Standard	670240358997
Z8808-XL-LK-PC	Control Stop Loose Key	670240359000
Z8808-XL-Q-PC	Control Stop Quarter Turn	670240389892
Z8808-XL-LK-Q-PC	Control Stop Loose Key Quarter Turn	-
Z8808-XL-LR-PC	Control Stop Standard w/ Copper Riser Supply Kit	670240385764
Z8808-XL-LR-LK-PC	Control Stop Loose Key w/ Copper Riser Supply Kit	-
Z8808-XL-LR-Q-PC	Control Stop Quarter Turn w/ Copper Riser Supply Kit	-
Z8808-XL-LR-LK-Q-PC	Control Stop Loose Key Quarter Turn w/ Copper Riser Supply Kit	-



SUFFIX	DESCRIPTION
-XL	Lead Compliant
-LR	Supply Kit Copper Risers
-LK	Loose Key
-Q	Quarter Turn
-PC	Polished Chrome
-8860	Braided Stainless Steel

HEAVY-DUTY LAVATORY SUPPLY STOPS AND KITS

This section includes heavy-duty angle control stops and supply kits with wheel handle type, loose key type, and quarter turn options. Heavy-duty lavatory supply kits are provided with (2) 12" chrome plated copper riser tubes with (2) chrome plated steel flanges. There are also braided stainless steel hose supply kit options.

PRODUCT NUMBER	DESCRIPTION	UPC
ZH8820-XL SERIES PIPE - COMPRESSION (3/8 IPS X 3/8 OD)		
ZH8820-XL-PC	Control Stop Standard	670240813786
ZH8820-XL-LK-PC	Control Stop Loose Key	670240813762
ZH8820-XL-LK-Q-PC	Control Stop Loose Key Quarter Turn	-
ZH8820-XL-LR-CE-PC	Control Stop Standard w/ Copper Riser Supply Kit and Cast Escutcheon	670240852211
ZH8820-XL-LR-LK-PC	Control Stop Loose Key w/ Copper Riser Supply Kit	-
ZH8822-XL SERIES PIPE - COMPRESSION (1/2 IPS X 3/8 OD)		
ZH8822-XL-PC	Control Stop Standard	670240359017
ZH8822-XL-LK-PC	Control Stop Loose Key	670240359024
ZH8822-XL-LK-Q-PC	Control Stop Loose Key Quarter Turn	-
ZH8822-XL-LR-PC	Control Stop Standard w/ Copper Riser Supply Kit	670240792098
ZH8822-XL-LR-LK-PC	Control Stop Loose Key w/ Copper Riser Supply Kit	-
ZH8822-XL-LR-LK-Q-PC	Control Stop Loose Key Quarter Turn w/ Copper Riser Supply Kit	-
ZH8823-XL SERIES PIPE - COMPRESSION (1/2 IPS X 1/2 OD)		
ZH8823-XL-LK-PC	Control Stop Loose Key	670240824706
ZH8824-XL SERIES COMPRESSION - COMPRESSION (1/2 NOM X 3/8 OD)		
ZH8824-XL-PC	Control Stop Standard	670240359031
ZH8824-XL-LK-PC	Control Stop Loose Key	670240359048
ZH8824-XL-Q-PC	Control Stop Quarter Turn	670240389939
ZH8824-XL-LK-Q-PC	Control Stop Loose Key Quarter Turn	-
ZH8824-XL-LR-PC	Control Stop Standard w/ Copper Riser Supply Kit	670240381612
ZH8824-XL-LR-LK-PC	Control Stop Loose Key w/ Copper Riser Supply Kit	-
ZH8826-XL SERIES COPPER SWEAT - COMPRESSION (1/2 SWT X 3/8 OD)		
ZH8826-XL-PC	Control Stop Standard	670240813823
ZH8826-XL-LK-PC	Control Stop Loose Key	670240813809
ZH8826-XL-LR-8860-12-PC	Control Stop Standard w/ SS Hose Supply Kit	-
ZH8826-XL-LR-LK-8860-12-PC	Control Stop Loose Key w/ SS Hose Supply Kit	-
ZH8827-XL SERIES COPPER SWEAT - COMPRESSION (1/2 SWT X 3/8 OD)		
ZH8827-XL-LK-PC	Control Stop Loose Key	670240813885



ZH882_-XL-LR-PC



Z882_-XL-LR-LK-PC

SUFFIX	DESCRIPTION
-XL	Lead Compliant
-LR	Supply Kit Copper Risers
-LK	Loose Key
-Q	Quarter Turn
-CE	Cast Escutcheon
-PC	Polished Chrome

When ordering parts, always list product number and description.

For additional product information, please visit www.zurn.com.

STANDARD CLOSET SUPPLY STOPS AND KITS

This section includes standard angle control stops and supply kits with wheel handle type, loose key type, and quarter turn options. Standard water closet supply kits are provided with (1) 12" chrome plated copper riser tubes with (1) chrome plated steel flanges. There are also braided stainless steel hose supply kit options.

PRODUCT NUMBER	DESCRIPTION	UPC
Z8800-XL SERIES PIPE - COMPRESSION (3/8 IPS X 3/8 OD)		
Z8800-XL-PC	Control Stop Standard	670240811508
Z8800-XL-LK-PC	Control Stop Loose Key	670240811485
Z8800-XL-CR-PC	Control Stop Standard w/ Copper Riser Supply Kit	670240856998
Z8802-XL SERIES PIPE - COMPRESSION (1/2 IPS X 3/8 OD)		
Z8802-XL-PC	Control Stop Standard	670240358928
Z8802-XL-LK-PC	Control Stop Loose Key	670240358935
Z8802-XL-LK-Q-PC	Control Stop Loose Key Quarter Turn	-
Z8802-XL-CR-PC	Control Stop Standard w/ Copper Riser Supply Kit	670240807716
Z8802-XL-CRLC-PC	Control Stop Loose Key w/ Copper Riser Supply Kit	84169618658
Z8803-XL SERIES PIPE - COMPRESSION (1/2 IPS X 1/2 OD)		
Z8803-XL-PC	Control Stop Standard	670240824720
Z8803-XL-LK-PC	Control Stop Loose Key	670240824737
Z8804-XL SERIES COMPRESSION - COMPRESSION (1/2 NOM X 3/8 OD)		
Z8804-XL-PC	Control Stop Standard	670240358973
Z8804-XL-LK-PC	Control Stop Loose Key	670240358980
Z8804-XL-Q-PC	Control Stop Quarter Turn	670240389878
Z8804-XL-LK-Q-PC	Control Stop Loose Key Quarter Turn	-
Z8804-XL-CR-PC	Control Stop Standard w/ Copper Riser Supply Kit	670240817043
Z8804-XL-CR-Q-PC	Control Stop Quarter Turn w/ Copper Riser Supply Kit	-
Z8806-XL SERIES COPPER SWEAT - COMPRESSION (1/2 IPS X 3/8 OD)		
Z8806-XL-PC	Control Stop Standard	670240811560
Z8806-XL-CR-PC	Control Stop w/ Copper Riser Supply Kit	670240853904
Z8806-XL-LK-PC	Control Stop Loose Key	670240794627
Z8808-XL SERIES COPPER SWEAT - COMPRESSION (1/2 SWT X 3/8 OD)		
Z8808-XL-PC	Control Stop Standard	670240358997
Z8808-XL-LK-PC	Control Stop Loose Key	670240359000
Z8808-XL-Q-PC	Control Stop Quarter Turn	670240389892
Z8808-XL-LK-Q-PC	Control Stop Loose Key Quarter Turn	-



Z880_-XL-CR-PC



Z880_-XL-CR-8870-12-PC

SUFFIX	DESCRIPTION
-XL	Lead Compliant
-CR	Closet Riser Kit
-LK	Loose Key
-Q	Quarter Turn
-PC	Polished Chrome
-8860	Braided Stainless Steel

For additional product information, please visit www.zurn.com.

When ordering parts, always list product number and description.

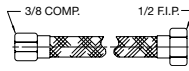
BRAIDED STAINLESS STEEL SUPPLIES

EPDM tubing jacketed by type 304 stainless steel braid, stainless steel ferrule, and nickel-plated brass nuts. Max. temperature 180°F and max. pressure 125 psi.

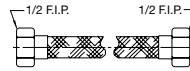
PRODUCT NUMBER	LENGTH	MASTER CARTON QTY	WEIGHT CARTON	UPC
LAVATORY/SINK SUPPLIES				
Z8860-XL SERIES COMPRESSION - FEMALE THREADED PIPE (3/8 COMP X 1/2 FIP)				
Z8860-XL-12-SS	12"	25	6	670240369924
Z8860-XL-16-SS	16"	25	6	670240369931
Z8860-XL-20-SS	20"	25	6	670240369948
Z8861-XL SERIES FEMALE THREADED PIPE - FEMALE THREADED PIPE (1/2 FIP X 1/2 FIP)				
Z8861-XL-12-SS	12"	25	6	670240369979
Z8862-XL SERIES COMPRESSION - FEMALE THREADED PIPE (1/2 COMP X 1/2 FIP)				
Z8862-XL-12-SS	12"	25	6	670240370029
CLOSET SUPPLIES				
Z8870-XL SERIES COMPRESSION - BALLCOCK NUT (3/8 COMP X 7/8 BALLCOCK NUT)				
Z8870-XL-12-SS	12"	25	5	670240834231



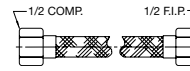
Z8860-XL



Z8860-XL-12
thru Z8860-20



Z8861-XL-12
thru Z8861-60



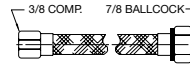
Z8862-XL-12



Certified to ANSI/NSF 14-16



Z8870-XL



Z8870-XL-12

FLANGES AND NIPPLES

PRODUCT NO.	SIZE	MASTER CARTON QTY	WEIGHT CARTON	UPC
FLANGES				
Chrome-plated, cast brass flange with setscrew.				
Z8900-PC	3/8 IPS, 11/16 OD	100	20	084169619723
Z8901-PC	1/2 IPS	100	20	084169619730
Z8902-PC	5/8 OD	100	20	084169619747
Z8905-PC	7/8 OD	100	20	084169619761
Z8908-PC	1-1/4 OD	50	12	084169619792
Z8909-PC	1-1/2 IPS	50	15	084169619808
Z8910-PC	1-1/2 OD	50	15	084169619815
NIPPLES				
Chrome-plated, cast brass IPS nipples.				
Z8916-XL-115-PC	3/8 x 1-1/2	100	10	670240848054
Z8916-XL-3-PC	3/8 x 3	100	12	670240811171
Z8916-XL-5-PC	3/8 x 5	100	24	670240811188
Z8917-XL-3-PC	1/2 x 3	100	15	670240811195
Z8917-XL-4-PC	1/2 x 4	100	24	670240848078



Z8900-PC



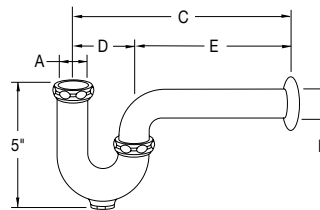
Z89__-XL-__-PC

SEMI-CAST TRAPS

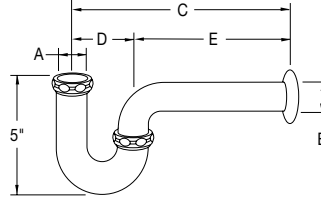
PRODUCT NO.	DESCRIPTION	DIMENSIONS IN INCHES					GAUGE	MASTER CARTON QTY	WEIGHT CARTON	UPC
		A INLET	B OUTLET	C	D	E				
COMMERCIAL GRADE CAST P-TRAPS WITH FULL C/E LENGTH TUBULAR WALL BEND & BRASS SWIVEL NUTS										
Z8700-8B-PC		1-1/4	1-1/4	10	2-1/2	7-1/2	17	12	24	084169616968
Z8700-8BCE-PC	w/ Cast Brass Escutcheon & Setscrew	1-1/4	1-1/4	11	2-1/3	7-1/3	17	12	24	084169616944
Z8700-8BD-PC	w/ Deep Escutcheon	1-1/4	1-1/4	12	2-1/4	7-1/4	17	12	24	084169616951
Z8701-9B-PC		1-1/4	1-1/2	10-1/2	3	7-1/2	17	12	24	084169617156
Z8701-9BCE-PC	w/ Cast Brass Escutcheon & Setscrew	1-1/4	1-1/2	10-1/3	4	7-1/3	17	12	24	084169617149
Z8702-9B-PC		1-1/2	1-1/2	12	3	9	17	12	24	084169617422
Z8702-9BCE-PC	w/ Cast Brass Escutcheon & Setscrew	1-1/2	1-1/2	12	3	9	17	12	24	084169617415
Z8702-9BD-PC	w/ Deep Escutcheon	1-1/2	1-1/2	12	3	9	17	12	24	084169670021
Z8703B-PC		1-1/2	2	12-1/2	4	9	17	6	18	670240536180
Z8704B-PC		2	2	12-1/2	4	9	17	6	18	084169617606



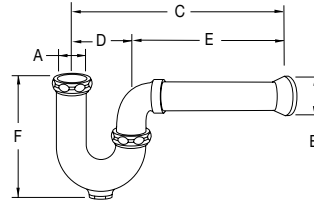
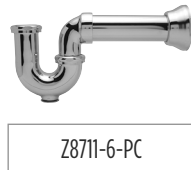
Z870__-PC



PRODUCT NO.	DESCRIPTION	DIMENSIONS IN INCHES					GAUGE	MASTER CARTON QTY	WEIGHT CARTON	UPC
		A INLET	B OUTLET	C	D	E				
STANDARD CAST P-TRAPS WITH TUBULAR WALL BEND										
Z8700-PC		1-1/4	1-1/4	10	2-1/2	7-1/2	17	12	24	084169617101
Z8700BD-PC	w/ Brass Swivel Nuts & Deep Escutcheon	1-1/4	1-1/4	11	2-1/3	7-1/3	17	12	24	084169617019
Z8700-8-PC		1-1/4	1-1/4	11	2-1/2	8-1/2	17	12	24	084169616999
Z8701-PC		1-1/4	1-1/2	10-1/2	3	7-1/2	17	12	24	084169617323
Z8702-PC		1-1/2	1-1/2	12	3	9	17	12	24	084169617583
Z8702-15-PC		1-1/2	1-1/2	12	3	9	17	18	42	084169617385
CAST P-TRAPS WITH TUBULAR WALL BEND - TAA COMPLIANT										
Z8700B-PC-BA	w/ Brass Swivel Nuts	1-1/4	1-1/4	10	2-1/2	7-1/2	17	12	24	670240489646
Z8701B-PC-BA	w/ Brass Swivel Nuts	1-1/4	1-1/2	10-1/2	3	7-1/2	17	12	24	670240489653
Z8701-9BBX-PC-BA	w/ Brass Swivel Nuts & Box Escutcheon	1-1/4	1-1/2	10-1/3	4	7-1/3	17	12	24	670240686892
Z8701-9BBX-PC-BA	w/ Brass Swivel Nuts & Box Escutcheon	1-1/4	1-1/2	10-1/4	5	7-1/4	17	12	24	670240686892
Z8702-9BBX-PC-BA	w/ Brass Swivel Nuts & Box Escutcheon	1-1/2	1-1/2	12	3	9	17	12	24	670240686908
Z8702B-PC-BA	w/ Brass Swivel Nuts	1-1/2	1-1/2	12	3	9	17	12	24	670240489691
CAST P-TRAPS WITH TUBULAR WALL BEND LESS CLEANOUT										
Z8700LC-PC		1-1/4	1-1/4	10	2-1/2	7-1/2	17	12	24	084169617095
Z8701-9LCB-PC	w/ Full C-E Dimension & Brass Swivel Nuts	1-1/4	1-1/2	10-1/2	3	7-1/2	17	12	24	670240536944



PRODUCT NO.	DIMENSIONS IN INCHES						GAUGE	MASTER CARTON QTY	WEIGHT CARTON	UPC
	A INLET	B OUTLET	C	D	E	F				
ALL-CAST SWIVEL TRAPS WITH COPPER EXTENSION P-TRAP										
Chrome-plated, cast brass swivel P-trap with ground joint cast elbow and 1-23/32 OD tubular extension for copper tubing with brass nuts and deep steel flange. (Ft. Worth trap for copper.)										
Z8711-6-PC	1-1/4	1-1/2	10	3	7.00	5	6	12	30	084169617699



TRAPS

PRODUCT NO.	GAUGE	SIZE/DESCRIPTION	MASTER CARTON QTY	UPC
TUBULAR P-TRAPS				
Available Options: -B, -BX, -D *Not available with metal-to-metal ground joint.				
LESS CLEANOUT				
ZR361-PC	17	1-1/4"	30	670240539655
ZR364-PC	17	1-1/2" x 1-1/4"	30	670240574618
ZR365-PC	17	1-1/2"	30	670240539662
ZR365B-PC	17	1-1/2"	30	670240546691
Z365BDTR-PC	17	1-1/2"	30	670240636972
ZR365TRPBX-PC	17	1-1/2"	30	670240637047
WITH CLEANOUT				
ZR367-PC*	17	1-1/4"	30	670240541924
ZR370-PC	17	1-1/2" x 1-1/4"	30	670240572294
ZR371-PC	17	1-1/2"	30	670240538788

PRODUCT NO.	GAUGE	SIZE/DESCRIPTION	MASTER CARTON QTY	UPC
LOW INLET P-TRAPS LESS CLEANOUT				
ZR361L-PC	17	1-1/4"	30	670240582729
ZR365L-PC	17	1-1/2"	30	670240582736
LOS ANGELES CODE TRAPS				
Cast Brass Hex Elbow, Ground Joint, Brass Nuts, 1-1/2" x 1-1/4" Reducing Washer				
ZR505LAW-PC	17	1-1/2"	36	670240550896
ZR510LAW-PC	17	1-1/2" x 1-1/4"	36	670240551893
WASHINGTON D.C. TRAPS				
With Captive Swivel Brass Nut with Long Elbow, Ground Joint, Deep Escutcheon				
LESS CLEANOUT				
ZR543JBD-PC	17	1-1/2" x 1-1/4"	30	670240533349
MILWAUKEE P-TRAPS				
With Captive Swivel Brass Nut, Ground Joint, and Deep Escutcheon. Available Options: -B, -J				
WITH CLEANOUT				
ZR970J-PC	17	1-1/2" x 1-1/4" Ground Joint	14	670240541962
ZR971J-PC	17	1-1/2" Ground Joint	14	670240541979



PREMIUM LINE OF BASKET STRAINERS

PRODUCT NO.	DESCRIPTION	MASTER CARTON QTY	UPC
STICK TYPE SS BASKET STRAINER			
Stainless basket, neoprene stopper. Value-Line stainless steel, one-piece body.			
ZP100-SS	Less TP	50	670240535381
STICK TYPE SS BASKET STRAINER WITH CHROME-PLATED BRASS BODY			
Stainless basket, neoprene stopper. With the "It Can't Skip" locknut.			
ZSS250-PC	Less TP	40	670240535411
FOUR-PRONGED SS BASKET STRAINER CHROME-PLATED BRASS BODY – STAINLESS BASKET			
Stainless basket, neoprene stopper. With the "It Can't Skip" locknut.			
ZTT461-PC	Less TP	40	670240535442
ZTT461W-PC	With 4" Chrome TP	40	670240535459
STICK TYPE SS BASKET STRAINER WITH LONG SHANK			
Stainless basket, neoprene stopper, locking shell, machine cut threads, deep pattern slip nut. Long shank for use on stainless steel, enameled steel and cast iron sinks.			
ZSS3000B-SS	Less TP	32	670240535428
ZSS3000W-SS	With 4" Chrome TP	32	670240535435

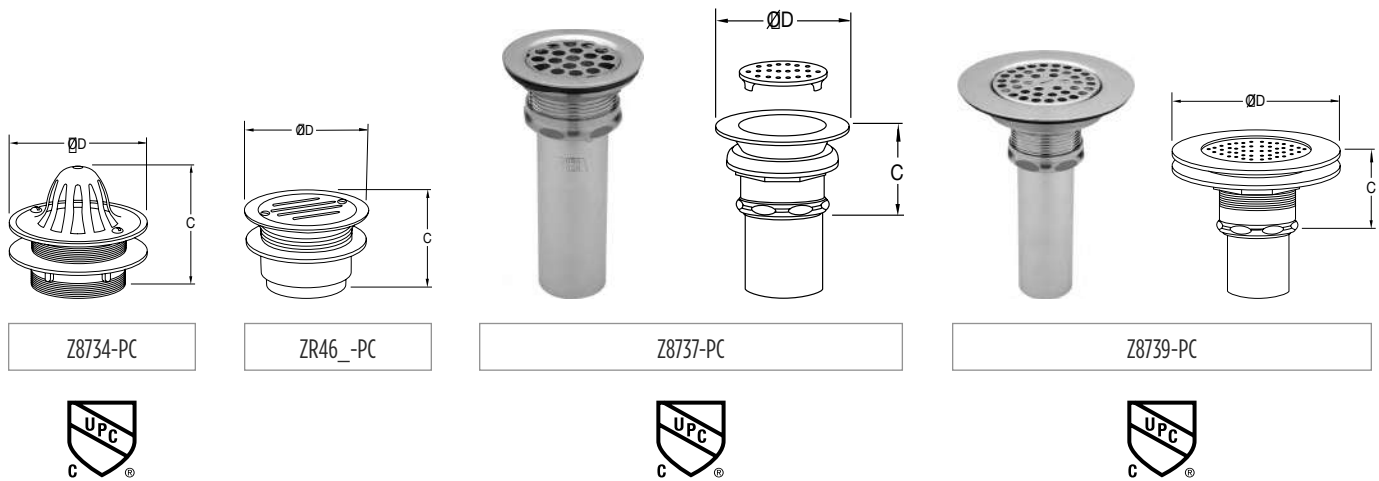


PRODUCT NO.	DESCRIPTION	MASTER CARTON QTY	UPC
BRASS BODY BASKET STRAINER WITH SPIN AND LOCK BASKET CLOSURE			
ZSS300-PC	Less TP	40	670240563810
DUPLEX SINK STRAINER 2"-2-1/2" OUTLET			
Z8737LTLBN-PC	Less TPC	48	670240545366
JR. 2" BASKET STRAINER			
All stainless steel; crumb-cup style.			
ZR426B-SS	Less TPC	34	670240552890

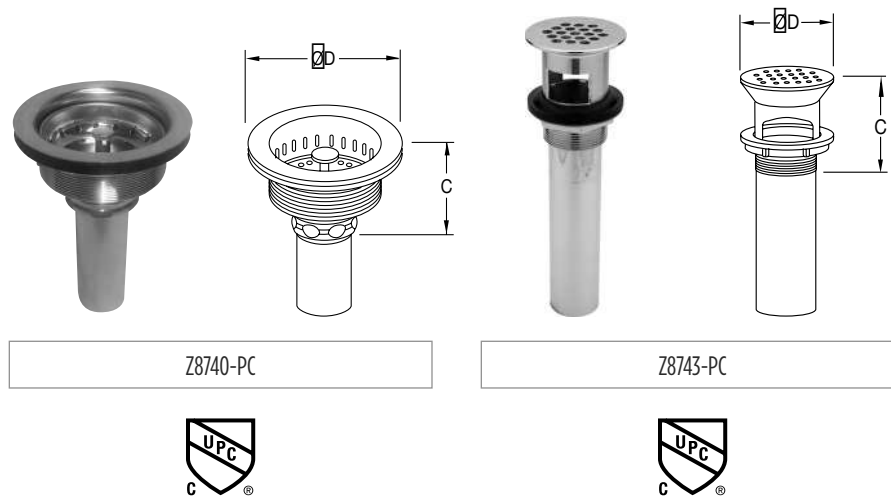


STRAINERS, P.O. PLUGS, AND OFFSETS

PRODUCT NO.	DESCRIPTION	DIMENSIONS IN INCHES		MASTER CARTON QTY	WEIGHT CARTON	UPC
		C	D			
BEEHIVE URINAL STRAINERS						
Chrome-plated, cast brass strainer for 2" lead caulk, iron or soil pipe.						
Z8734-PC	Strainer	3-1/2	4-1/2	16	26.00	084169617972
FLAT GRID FIPS URINAL STRAINERS						
Cast brass strainer for 2" and 3" female IPS connections.						
ZR461-PC	2" IPS	2-1/4 to 3-1/2	4-1/2	24	44.00	670240540880
ZR464-PC	3" IPS	2-1/4 to 3-1/2	4-1/2	24	48.00	670240540897
FLAT GRID SINK STRAINERS						
Chrome-plated wrought brass sink strainer with 1-1/2" x 4" 20-gauge tailpiece, and cast brass lock and coupling nuts for sink depth up to 3/4".						
Z8737-PC		1-3/4	2-15/16	24	20.00	084169618023
WIDE TOP SINK STRAINERS						
Chrome-plated wrot brass sink strainers with 4" wide top and 1-1/2" x 4" 20-gauge tailpiece and cast brass lock and coupling nuts for sink depth to 3/4".						
Z8739-PC		1-3/4	4-1/2	24	25.00	084169618054



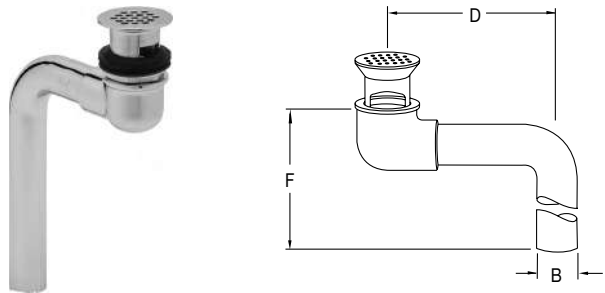
PRODUCT NO.	DESCRIPTION	DIMENSIONS IN INCHES		MASTER CARTON QTY	WEIGHT CARTON	UPC
		C	D			
HEAVY-DUTY BASKET STRAINERS						
Chrome-plated, heavy-duty basket strainer with matching basket, 1-1/2" x 4" 20-gauge tailpiece, and cast brass lock and coupling nuts.						
Z8740-PC	Brass	2-1/8	4-1/2	16	28.00	084169618061
Z8741-SS	Stainless Steel	2-3/4	4-3/8	16	24.00	084169618078
SOLID TOP, OPEN-GRID P.O. PLUGS						
Cast brass solid-top, open-grid, P.O. plug with 5" 17-gauge tailpiece and cast brass locknut for sink depth up to 2-1/4". 6-, 8-, and 12-inch tailpieces available.						
Z8743-PC	1-1/4"	2-9/16	2-1/4	50	50.00	084169618207
Z8743-PC-BA	1-1/4" (TAA Compliant)	2-9/16	2-1/4	50	50.00	670240486454
Z8743-1-PC	1-1/2"	2-9/16	2-1/4	30	30.00	084169618160
Z8743NOF-PC	1-1/4" No Overflow	2-9/16	2-1/4	30	30.00	084169668264
Z8743-1NOF-PC	1-1/2" No Overflow	2-9/16	2-1/4	30	30.00	670240583344
SOLID TOP, OPEN-GRID P.O. PLUGS OPTIONS						
OPTION	DESCRIPTION					
-6	With 6" Tailpiece					
-8	With 8" Tailpiece					
-12	With 12" Tailpiece					



PRODUCT NO.	DESCRIPTION	DIMENSIONS IN INCHES			MASTER CARTON QTY	WEIGHT CARTON	UPC
		B OUTLET	D	F			
OFFSET LAVATORY STRAINERS, ADA COMPLIANT							
Cast brass body with cast brass open grid drain strainer, cast brass elbow, and 1-1/4" 17-gauge tubular brass offset tailpiece for sink depth to 2-1/2".							
Z8746-PC		1-1/4	5-1/8	8-3/4	24.00	40	084169618290
Z8746-PC-BA (TAA Compliant)		1-1/4	5-1/8	8-3/4	24.00	40	670240486461
Z8746NOF-PC		1-1/4 (No Overflow)	5-1/8	8-3/4	18.00	30	084169668271

OFFSET SINK STRAINERS, ADA COMPLIANT							
CAST BRASS BODY WITH UP TO 11" 17-GAUGE OFFSET FOR WHEELCHAIR USE OF MOST 6" OR 7" SINKS. FITS MOST 1-1/2" DIRECT CONNECT SINK STRAINERS. WITH BRASS NUTS.							
PRODUCT NO.	DESCRIPTION	B OUTLET	D	F	MASTER CARTON QTY	WEIGHT CARTON	UPC
Z8747-PC	No - Offset Only	1-1/2	12-3/4	6-1/4	10.00	12	084169618306
Z8748-PC	Brass - Z8740	1-1/2	12-3/4	6-1/4	10.00	22	084169618313
Z8749-SS	Stainless Steel - Z8741	1-1/2	12-3/4	6-1/4	10.00	22	084169618320
Z8750A-PC	Brass Flat Grid - Z8739	1-1/2	12-3/4	6-1/4	10.00	22	670240632424

PRODUCT NO.	DESCRIPTION	UPC
CONTINUOUS WASTES		
Cast brass body with two part 17" gauge. 1-1/2" outlets and slip joint connectors.		
Z8752-SC	Center Outlet - Satin Chrome Plated	084169618368
Z8758-SC	End Outlet - Satin Chrome Plated	084169618412



Z8746-PC



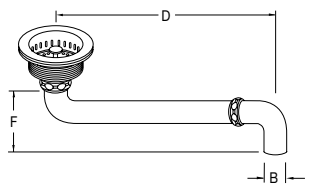
Z8747-PC



Z8748-PC



Z8750A-PC



Z8747-PC thru Z8750-PC



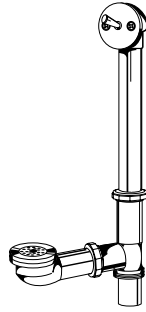
Z8752-SC



Z8758-SC

OVERFLOWS

PRODUCT NO.	GAUGE	SIZE/DESCRIPTION	MASTER CARTON QTY	UPC
BRASS TRIP LEVER WASTES PLUNGER TYPE				
Available Options: -CA				
Z8770-RB (Lift and Turn)	17	1-1/2" x 14" w/Brass Nuts	12	84169618467
Z8771-RB (Flat Grid)	17	1-1/2" x 14" w/Brass Nuts	10	084169618474
OPTIONS	DESCRIPTION			
-B	(3) Brass Nuts			
-CA	California Code			



Z8771-RB

FLUSH VALVES

FAUCETS

TEMP-GARD®

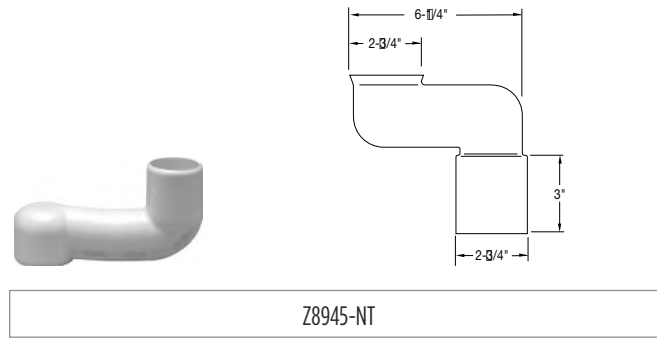
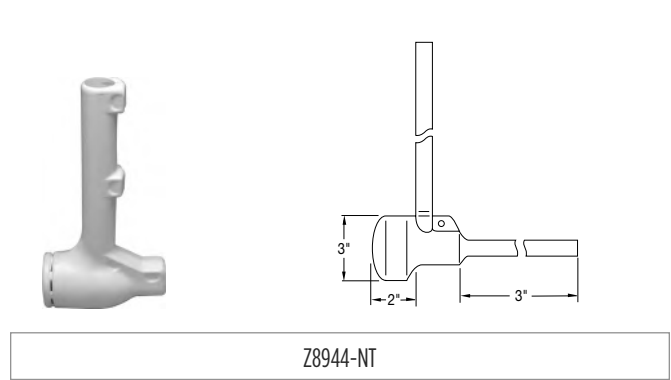
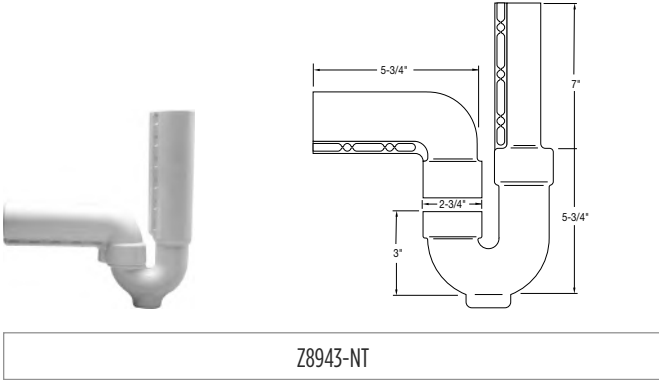
TUBULAR BRASS

FIXTURES

AQUAPARTS® REPAIR PARTS AND ASSEMBLIES

TRAP, STOP, AND SUPPLY PROTECTORS

PRODUCT NUMBER	DESCRIPTION	MASTER CARTON QTY	WEIGHT CARTON	UPC
INSUL-GUARD™ RETROFIT KITS				
Protectors, satin white PVC resin, with a 3/8" nominal wall and vandal-resistant clip feature. Resists thermal transfer and are ADA compliant.				
Z8943-NT	Trap Protector	15	9	084169620194
Z8944-NT	Supply Protector	15	5	084169620200
Z8945-NT	Offset Drain Protector	15	4	084169620217
Z8946-NT	Combination Kit: One Trap and One Supply Protector	15	12	084169673664
Z8946-1-NT	Combination Kit: One Trap and Two Supply Protectors	15	15	084169620224
Z8946-3-NT	Combination Kit: One Trap Protector, Two Supply Protectors, and One Offset Drain Protector	15	15	084169620248



FLUSH VALVES

FAUCETS

TEMP-GARD®

TUBULAR BRASS

FIXTURES

AQUAPARTS® REPAIR PARTS AND ASSEMBLIES

FIXTURES

SUNDARA® HANDWASHING SYSTEM

SUNDARA HANDWASHING SYSTEMS	114
SOLID SURFACE CARRIERS	114

ZURN ONE SYSTEMS

LAVATORIES – TOP RECOMMENDED SYSTEMS	115
URINALS – TOP RECOMMENDED SYSTEMS	115
WALL MOUNTED WATER CLOSETS – TOP RECOMMENDED SYSTEMS	116
FLOOR MOUNTED WATER CLOSETS – TOP RECOMMENDED SYSTEMS	116
CLINICAL SERVICE SINKS – TOP RECOMMENDED SYSTEMS	117

FLUSH VALVE TOILETS

1.1 GPF OR GREATER, ELONGATED, WALL HUNG FLUSH VALVE TOILET	117
1.28 GPF OR GREATER, CONCEALED, ELONGATED, WALL HUNG FLUSH VALVE TOILET	117
1.28 GPF OR GREATER, BACK OUTLET, FLOOR MOUNTED FLUSH VALVE TOILET	117
1.28 GPF OR GREATER, ADA HEIGHT, BACK OUTLET, FLOOR MOUNTED FLUSH VALVE TOILET	117
1.1 GPF OR GREATER, ELONGATED, FLOOR MOUNTED FLUSH VALVE TOILET	117
1.1 GPF OR GREATER, ADA HEIGHT, ELONGATED, FLOOR MOUNTED FLUSH VALVE TOILET	118
CHILDREN'S ROUND FLOOR MOUNTED FLUSH VALVE TOILET	118
1.6 GPF, HEAVY-DUTY BARIATRIC, ZURNSHIELD™ POWDER COATED	118
1.6 GPF, EXTRA-HEAVY-DUTY BARIATRIC, ZURNSHIELD POWDER COATED	118

TWO-PIECE TOILETS

TWO PIECE, PRESSURE ASSIST TOILET

1.28 GPF, ELONGATED, HIGH EFFICIENCY SIPHON JET TOILET	119
1.0 GPF, HIGH EFFICIENCY, ELONGATED PRESSURE ASSIST TOILET	119
1.6 GPF, ELONGATED PRESSURE ASSIST TOILET	119
PRESSURE ASSIST TOILET OPTION ADDERS	119
PRESSURE ASSIST REPLACEMENT TANK KIT	119

URINALS

0.125 GPF, ULTRA LOW CONSUMPTION URINAL	120
1.0 GPF, SIPHON JET URINAL	120
0.125 GPF TO 1.0 GPF, OMNI-FLO® URINAL	120
WATER FREE URINAL	120

WALL HUNG LAVATORIES

19" X 17" WALL HUNG LAVATORIES	121
20" X 18" WALL HUNG LAVATORIES	121
23" X 20-1/4" WHEELCHAIR LAVATORY	121

COUNTERTOP AND UNDERMOUNT LAVATORIES

20" X 17" SELF-RIMMING COUNTERTOP LAVATORIES	122
19" ROUND SELF-RIMMING COUNTERTOP LAVATORIES	122
19" X 16" UNDERMOUNT LAVATORIES	122

CAST IRON LAVATORIES

19" X 17" ENAMELED CAST IRON WALL HUNG LAVATORY	122
20" X 18" ENAMELED CAST IRON WALL HUNG LAVATORY	122

HOSPITAL AND INSTITUTIONAL FIXTURES

WALL MOUNT, BLOWOUT SERVICE SINK	123
FLOOR MOUNTED, SIPHON JET SERVICE SINK	123
28" X 22" SURGEON SINK	123

SPECIALTY FIXTURES

CUSTODIAL FLOOR SINK	123
SERVICE SINK	123

TOILET SEATS

TOILET SEATS	124
--------------	-----

MISCELLANEOUS PARTS

TOILETS	125
URINALS	125
LAVATORIES	125
OTHER	125

SUNDARA® HANDWASHING SYSTEM

FLUSH VALVES

FAUCETS

TEMP-GARD®

TUBULAR BRASS

FIXTURES

AQUAPARTS® REPAIR PARTS AND ASSEMBLIES

PART NUMBER	CONFIGURATION
Sundara Handwashing Systems	
Z5001.01	Reef Single - Deck mount sensor faucet and soap dispenser
Z5001.02	Reef Double - Deck mount sensor faucet and soap dispenser
Z5001.03	Reef Triple - Deck mount sensor faucet and soap dispenser
Z5004.01	Surf Single - Deck mount sensor faucet and soap dispenser
Z5004.02	Surf Double - Deck mount sensor faucet and soap dispenser
Z5004.03	Surf Triple - Deck mount sensor faucet and soap dispenser
Z5005.01	Inlet Single - Deck mount sensor faucet and soap dispenser
Z5005.02	Inlet Double - Deck mount sensor faucet and soap dispenser
Z5005.03	Inlet Triple - Deck mount sensor faucet and soap dispenser
Z5006.01	Tide Single - Deck mount sensor faucet and soap dispenser
Z5006.02	Tide Double - Deck mount sensor faucet and soap dispenser
Z5006.03	Tide Triple - Deck mount sensor faucet and soap dispenser
Z5001.01	Reef Single - Deck mount manual faucet and soap dispenser
Z5001.02	Reef Double - Deck mount manual faucet and soap dispenser
Z5001.03	Reef Triple - Deck mount manual faucet and soap dispenser
Z5004.01	Surf Single - Deck mount manual faucet and soap dispenser
Z5004.02	Surf Double - Deck mount manual faucet and soap dispenser
Z5004.03	Surf Triple - Deck mount manual faucet and soap dispenser
Z5005.01	Inlet Single - Deck mount manual faucet and soap dispenser
Z5005.02	Inlet Double - Deck mount manual faucet and soap dispenser
Z5005.03	Inlet Triple - Deck mount manual faucet and soap dispenser
Z5006.01	Tide Single - Deck mount manual faucet and soap dispenser
Z5006.02	Tide Double - Deck mount manual faucet and soap dispenser
Z5006.03	Tide Triple - Deck mount manual faucet and soap dispenser
Z5003.01	Drift Single - Wall mount sensor faucet and soap dispenser
Z5003.02	Drift Double - Wall mount sensor faucet and soap dispenser
Z5003.03	Drift Triple - Wall mount sensor faucet and soap dispenser

PART NUMBER	CONFIGURATION
Solid Surface Carriers	
Z1240-EZR	Dura-Coated Carrier System for Reef and Drift Handwashing Systems
Z1240-EZR-WL	Dura-Coated Carrier System for Reef and Drift Handwashing Systems With Waste Line Sleeve

COLORS AVAILABLE	
.01	White
.02	Snow
.03	Sea Shell
.04	Highcliffe*
.05	Sand Storm*
.06	Alluvium*
.07	Frost*

*Special order model and/or color requires extended lead time



Z5001 - Reef	Z5004* - Surf	Z5005* - Inlet	Z5006 - Tide	Z5003* - Drift
Deck Mount Basins				Wall Mount Basin

ZURN ONE SYSTEMS

PRODUCT NO.	DESCRIPTION	CROSS REFERENCE	UPC
Lavatories – Top Recommended Systems			
Z.L1.M	Manual Faucet Lavatory System – Z5344 – 20" x 18" wall hung lavatory with Z7440-XL-FC centerset, deck-mount single control faucet with 5" integral spout, 0.5 gpm flow	Z5344.120.1.01.E7.0	889934179446
Z.L2.M	Manual Faucet Lavatory System – Z5344 – 20" x 18" wall hung, Z81000-XL-3M centerset, deck-mount single control faucet with 5" integral spout, 0.5 gpm flow	Z5344.514.1.01.E7.0	889934179453
Z.L3.M	Manual Faucet Lavatory System – Z5344 – 20" x 18" wall hung, lavatory, Z81104-XL AquaSpec 4" centerset, deck-mount faucet with 4" wrist black handles, 4" integral spout, 0.5 gpm flow	Z5344.464.1.01.E7.0	889934179460
Z.L4.M	Manual Faucet Lavatory System – Z5344 – 20" x 18" wall hung lavatory, Z812A1-XL-3F centerset, 3-1/2" gooseneck faucet with lever handles, and 0.5 gpm flow	Z5344.522.1.01.E7.0	889934179477
Z.L5.M	Manual Faucet Lavatory System	Z5344.757.1.01.E7.0	889934179484
Z.L6.M	Manual Faucet Lavatory System – Z5344 – 20" x 18" wall hung lavatory, Z812B1-XL-3F AquaSpec centerset, 5-3/8" gooseneck faucet with lever handles, and 0.5 gpm flow	Z5344.722.1.01.E7.0	889934179491
Z.L7.M	Manual Faucet Lavatory System – Z5844 – 20" x 18" cast iron wall hung lavatory, Z86500-XL AquaSpec 4" centerset slow closing metering faucet with 0.25 gpm spray outlet	Z5844.546.1.01.E7.0	889934179507
Z.L1.S	Sensor Faucet Lavatory System – Z5341 – 20" x 18" wall hung, single hole, lavatory, Z6920-XL-F AquaSense gooseneck battery powered sensor faucet with 0.5 gpm non-aerated flow	Z5341.749.1.01.E7.H	889934164831
Z.L2.S	Sensor Faucet Lavatory System – 20" x 18" wall hung, 0.5 gpm gooseneck battery faucet	Z5341.xxx.1.01.E7.H	889934179521
Z.L3.S	Sensor Faucet Lavatory System – Z5341 – 20" x 18" wall hung, single hole, lavatory, Z6950-XL-S-F Aqua-FIT Serio Series battery powered sensor faucet with 0.5 gpm non-aerated	Z5341.901.1.01.E7.H	889934164893
Z.L4.S	Sensor Faucet Lavatory System – Z5341 – 20" x 18" wall hung, single hole, lavatory, Z6951-XL-F Aqua-FIT Fulmer Series battery powered sensor faucet with 0.5 gpm non-aerated flow	Z5341.980.1.01.E7.H	889934164909
Z.L6.S	Sensor Faucet Lavatory System – Z5344 – 20" x 18" wall hung, lavatory, Z6915-XL-F AquaSense centerset battery powered sensor faucet with 0.5 gpm non-aerated flow	Z5344.664.1.01.E7.H	889934164916
Z.L7.S	Sensor Faucet Lavatory System – Z5344 – 20" x 18" wall hung, lavatory, Z6955-XL-S-F Aqua-FIT Serio Series, 4" base centerset battery powered sensor faucet with 0.5 gpm non-aerated flow	Z5344.915.1.01.E7.H	889934164923
Urinals – Top Recommended Systems			
Z.UR1.S	Sensor Urinal System – Z5755-U EcoVantage Omni-Flo urinal 0.125 gpf ZER6003AV-ULF-CPM Flush Valve	Z5755.236.00	889934176230
Z.UR1.S.TM	Sensor Urinal System – Z5755-U EcoVantage Omni-Flo urinal 0.125 gpf ZER6003AV-ULF-TM Flush Valve	N/A	889934176247
Z.UR1.M	Manual Urinal System – Z5755-U EcoVantage Omni-Flo urinal with 0.125 gpf Z6003AV-ULF flush valve	Z5755.207.00	889934176254
Z.UR2.S	Sensor Urinal System – Z5755-U EcoVantage Omni-Flo urinal 0.5 gpf ZER6003AV-EWS-CPM Flush Valve	Z5755.197.00	889934176261
Z.UR2.S.TM	Sensor Urinal System – Z5755-U EcoVantage Omni-Flo urinal 0.5 gpf ZER6003AV-EWS-TM Flush Valve	N/A	889934176278
Z.UR2.M	Manual Urinal System – Z5755-U EcoVantage Omni-Flo urinal 0.5 gpf Z6003AV-EWS Flush Valve	Z5755.196.00	889934176285



Z.L1.M



Z.L1.S



Z.UR1.S



Z.UR1.S.TM



Z.UR1.M

PRODUCT NO.	DESCRIPTION	CROSS REFERENCE	UPC
Wall Mounted Water Closets – Top Recommended Systems			
Z.WC1.S	Sensor Wall Bowl System – Z5615 EcoVantage, wall hung vitreous water closet with sensor 1.1 gpf ZER6000AV-ONE-CPM Flush Valve	Z5615.444.01.76.12	889934176292
Z.WC1.S.TM	Sensor Wall Bowl System – Z5615 EcoVantage, wall hung vitreous water closet with sensor 1.1 gpf ZER6000AV-ONE-TM Flush Valve	N/A	889934176308
Z.WC1.M	Manual Wall Bowl System – Z5615 EcoVantage, wall hung vitreous water closet with manual 1.1 gpf Z6000AV-ONE Flush Valve	Z5615.441.01.76.12	889934176339
Z.WC2.S	Sensor Wall Bowl System – Z5615 EcoVantage wall hung vitreous water closet with sensor 1.28 gpf ZER6000AV-HET-CPM Flush Valve	Z5615.270.01.76.12	889934176346
Z.WC2.S.TM	Sensor Wall Bowl System – Z5615 EcoVantage wall hung vitreous water closet with sensor 1.28 gpf ZER6000AV-HET-TM Flush Valve	N/A	889934176353
Z.WC2.M	Manual Wall Bowl System – Z5615 EcoVantage wall hung vitreous water closet with manual 1.28 gpf Z6000AV-HET Flush Valve	Z5615.258.01.76.12	889934176360
Floor Mounted Water Closets – Top Recommended Systems			
Z.WC3.S	Sensor Floor Mount Closet System – Z5655-BWL EcoVantage floor mounted vitreous water closet with sensor 1.1 gpf ZER6000AV-ONE-CPM Flush Valve	Z5655.444.01.03.00	889934176377
Z.WC3.S.TM	Sensor Floor Mount Closet System – Z5655-BWL EcoVantage floor mounted vitreous water closet with sensor 1.1 gpf ZER6000AV-ONE-TM Flush Valve	N/A	889934176384
Z.WC3.M	Manual Floor Mount Closet System – Z5655-BWL EcoVantage floor mounted vitreous water closet with manual 1.1 gpf Z6000AV-ONE Flush Valve	Z5655.441.01.03.00	889934176391
Z.WC4.S	Sensor Floor Mount Closet System – Z5655-BWL EcoVantage floor mounted vitreous water closet with sensor 1.28 gpf ZER6000AV-HET-CPM Flush Valve	Z5655.270.01.03.00	889934176407
Z.WC4.S.TM	Sensor Floor Mount Closet System – Z5655-BWL EcoVantage floor mounted vitreous water closet with sensor 1.28 gpf ZER6000AV-HET-TM Flush Valve	N/A	889934176414
Z.WC4.M	Manual Floor Mount Closet System – Z5655-BWL EcoVantage floor mounted vitreous water closet with manual 1.28 gpf Z6000AV-HET Flush Valve	Z5655.258.01.03.00	889934176421
Ⓢ Z.WC3A.S	Sensor Floor Mount, ADA Closet System – Z5665-BWL EcoVantage ADA floor mounted vitreous water closet with sensor 1.1 gpf ZER6000AV-ONE-CPM Flush Valve	Z5665.444.01.03.00	-
Ⓢ Z.WC3A.S.TM	Sensor Floor Mount, ADA Closet System – Z5665-BWL EcoVantage ADA floor mounted vitreous water closet with sensor 1.1 gpf ZER6000AV-ONE-TM Flush Valve	N/A	-
Ⓢ Z.WC3A.M	Manual Floor Mount, ADA Closet System – Z5665-BWL EcoVantage floor mounted vitreous water closet with manual 1.1 gpf Z6000AV-ONE Flush Valve	Z5665.441.01.03.00	-
Ⓢ Z.WC4A.S	Sensor Floor Mount, ADA Closet System – Z5665-BWL EcoVantage ADA floor mounted vitreous water closet with sensor 1.28 gpf ZER6000AV-HET-CPM Flush Valve	Z5665.270.01.03.00	-
Ⓢ Z.WC4A.S.TM	Sensor Floor Mount, ADA Closet System – Z5665-BWL EcoVantage ADA floor mounted vitreous water closet with sensor 1.28 gpf ZER6000AV-HET-TM Flush Valve	N/A	-
Ⓢ Z.W4A.M	Manual Floor Mount, ADA Closet System – Z5665-BWL EcoVantage elongated, ADA floor mounted vitreous water closet with manual 1.28 gpf Z6000AV-HET Flush Valve	Z5665.258.01.03.00	-
Z.WC5.S	Sensor Floor Mount Closet System – Z5654-BWL – 14" height EcoVantage floor mounted vitreous water closet with sensor 1.28 gpf ZER6000AV-HET-CPM Flush Valve	Z5654.270.01.03.00	889934176582
Z.WC5.S.TM	Sensor Floor Mount Closet System – Z5654-BWL – 14" height EcoVantage floor mounted vitreous water closet with sensor 1.28 gpf ZER6000AV-HET-TM Flush Valve	N/A	889934176599
Z.WC5.M	Manual Floor Mount Closet System – Z5654-BWL – 14" height EcoVantage floor mounted vitreous water closet with manual 1.28 gpf Z6000AV-HET Flush Valve	Z5654.258.01.03.00	889934176605



Z.WC1.S



Z.WC1.S.TM



Z.WC1.M



Z.WC3.S



Z.WC3.S.TM



Z.WC3.M

PRODUCT NO.	DESCRIPTION	CROSS REFERENCE	UPC
Clinical Service Sinks – Top Recommended Systems			
Z.CS1.M	Manual Clinical Sink System – Z5410 floor mounted clinical sink with Z6000AV-BWN1 bedpan washing flush valve	Z5420.009.00.00	889934176612
Z.CS2.M	Manual Clinical Sink System – Z5420 wall mounted clinical sink with Z60843AV-BWN bedpan washing faucet/ flush valve combo and Z85500-XL-WM bedpan washer	Z5410.024.44.00	889934176629



FLUSH VALVE TOILETS

PRODUCT NO.	DESCRIPTION	WEIGHT (LBS.)	UPC
1.1 gpf or Greater, Elongated, Wall Hung Flush Valve Toilet			
Z5615-BWL	1-1/2" Top Spud. Vitreous china, 1.1 gpf [4.2 Lpf] or greater, high efficiency wall hung toilet with siphon jet flush action and elongated front rim. Seat not included.	40	670240405783
Z5615-BWL-AM	1-1/2" Top Spud. Vitreous china, 1.1 gpf [4.2 Lpf] or greater, high efficiency wall hung toilet with siphon jet flushing action, elongated front rim and ZurnSHIELD™ glaze. Seat not included.	40	670240793088
Z5616-BWL	1-1/2" Top Spud and Bedpan Lugs. Vitreous china, 1.28 gpf [4.8 Lpf] or greater, high efficiency wall hung toilet with siphon jet flush action and elongated front rim with integral bedpan lugs, and ZurnSHIELD glaze. Seat not included.	40	670240421851
1.28 gpf or Greater, Concealed, Elongated, Wall Hung Flush Valve Toilet			
Z5617-BWL	1-1/2" Back Spud and Bedpan Lugs. Vitreous china, 1.28 gpf [4.8 Lpf] or greater, high efficiency wall hung toilet with siphon jet flush action and elongated front rim with bedpan lugs to accommodate a bedpan, and ZurnSHIELD glaze. Seat not included.	50	670240407329
1.28 gpf or Greater, Back Outlet, Floor Mounted Flush Valve Toilet			
Z5635-BWL	1-1/2" Top Spud. Vitreous China, 1.28 gpf [4.8 Lpf] or greater, high efficiency floor mounted, back outlet toilet with siphon jet flushing action and elongated front rim, and ZurnSHIELD glaze. Seat not included.	55	670240796980
Z5637-BWL	1-1/2" Back Spud. Vitreous China, 1.28 gpf [4.8 Lpf] or greater, high efficiency floor mounted, back outlet toilet with siphon jet flushing action and elongated front rim, and ZurnSHIELD glaze. Seat not included.	55	670240796997
1.28 gpf or Greater, ADA Height, Back Outlet, Floor Mounted Flush Valve Toilet			
Ⓢ Z5645-BWL	1-1/2" Top Spud. Vitreous China, 1.28 gpf [4.8 Lpf] or greater, high efficiency floor mounted, back outlet toilet with siphon jet flushing action and elongated front rim, and ZurnSHIELD glaze. Seat not included. ADA compliant.	57	670240693296
Ⓢ Z5646-BWL	1-1/2" Top Spud and Bedpan Lugs. Vitreous China, 1.28 gpf [4.8 Lpf] or greater, high efficiency floor mounted, back outlet toilet with siphon jet flushing action and elongated front rim with bedpan lugs to accommodate a bedpan, and ZurnSHIELD glaze. Seat not included. ADA compliant.	57	670240693326
Ⓢ Z5647-BWL	1-1/2" Back Spud. Vitreous China, 1.28 gpf [4.8 Lpf] or greater, high efficiency floor mounted, back outlet toilet with siphon jet flushing action and elongated front rim, and ZurnSHIELD glaze. Seat not included. ADA compliant.	57	670240693333
1.1 gpf or Greater, Elongated, Floor Mounted Flush Valve Toilet			
Z5655-BWL1	1-1/2" Top Spud. Vitreous china, 1.1 gpf [4.2 Lpf] or greater low consumption, floor mounted toilet with siphon jet flush action and elongated front rim, and two bolt caps. Seat not included.	51	889934075069
Z5657-BWL1	1-1/2" Back Spud. Vitreous china, 1.28 gpf [4.8 Lpf] low consumption, floor mounted toilet with siphon jet flush action and elongated front rim, and two bolt caps. Seat not included.	51	889934075120



When ordering parts, always list product number and description.

For additional product information, please visit www.zurn.com.

PRODUCT NUMBER	DESCRIPTION	WEIGHT (LBS.)	UPC
1.1 gpf or Greater, ADA Height, Elongated, Floor Mounted Flush Valve Toilet			
ⓐ Z5665-BWL1	1-1/2" Top Spud. Vitreous china, 1.1 gpf [4.2 Lpf] or greater high efficiency floor mounted bottom outlet toilet with siphon jet flushing action and elongated front rim. Seat not included. ADA compliant.	57	889934075076
ⓐ Z5666-BWL-AM	1-1/2" Top Spud and Bedpan Lugs. Vitreous china, 1.28 gpf [4.8 Lpf] or greater high efficiency floor mounted bottom outlet toilet with siphon jet flushing action and elongated front rim with integral bedpan lugs, and ZurnSHIELD glaze. Seat not included. ADA compliant.	57	670240813908
Children's Round Floor Mounted Flush Valve Toilet			
ⓐ Z5675-BWL	1-1/2" Top Spud. Vitreous china, low consumption, round front rim, floor mounted toile, and two bolt caps. Seat not included. ADA compliant.	32	670240254398
1.6 gpf, Heavy-Duty Bariatric, ZurnSHIELD™ Powder Coated			
Z5681	1-1/2" Top Spud. Heavy-duty, stainless steel, ZurnSHIELD powder-coated wall mounted 1.6 gpf [6 Lpf] low consumption siphon jet toilet with custom elongated seat.	50	670240264007
1.6 gpf, Extra-Heavy-Duty Bariatric, ZurnSHIELD Powder Coated			
Z5691	1-1/2" Top Spud. ZurnSHIELD powder-coated stainless steel, bariatric extra-heavy-duty wall mounted 1.6 gpf [6 Lpf] low consumption siphon jet toilet with comfort-sized seat.	65	670240264182



Z5665-BWL1



Z5675-BWL



Z5681



Z5691

TWO-PIECE TOILETS

PRODUCT NO.	DESCRIPTION	WEIGHT (LBS.)	UPC
1.28 gpf, Elongated, High Efficiency Siphon Jet Toilet			
Z5535-K	Vitreous china, high efficiency, low consumption, high performance siphon-jet toilet with 3" flush valve, elongated front rim, and 12" standard rough-in, with 1000gram MaP rating.	89	670240007055
Ⓐ Z5555-K	Vitreous china, high efficiency, low consumption, high performance siphon-jet toilet with 3" flush valve, ADA/comfort height, elongated front rim, and 12" standard rough-in, with 1000gram MaP rating.	92	670240015630



Z5535-K



Z5555-K

TWO PIECE, PRESSURE ASSIST TOILET

PRODUCT NO.	DESCRIPTION	WEIGHT (LBS.)	UPC
1.0 gpf, High Efficiency, Elongated Pressure Assist Toilet			
Ⓐ Z5561	Vitreous china, high efficiency 1.0 gpf [4 Lpf], pressure assisted two-piece toilet, siphon jet bowl, elongated ADA height rim, and 12" rough-in.	98	670240650909
Z5571	Vitreous china, high efficiency 1.0 gpf [4 Lpf] pressure assisted two-piece toilet, siphon jet bowl, elongated rim, and 12" rough-in.	92	670240650923
1.6 gpf, Elongated Pressure Assist Toilet			
Ⓐ Z5560	Vitreous china, two-piece toilet with 1.6 gpf [6 Lpf] pressure assisted tank, siphon jet bowl, elongated ADA height rim, and 12" rough-in.	98	670240606340
Z5570	Vitreous china, two-piece toilet with 1.6 gpf [6 Lpf] pressure assisted tank, siphon jet bowl, elongated rim, and 12" rough-in.	92	670240606357
Pressure Assist Toilet Option Adders			
-RH	Right Hand		-
-VL	Vandal Lock		-
Pressure Assist Replacement Tank Kit			
Z8106	Pressure Assist Replacement Tank Kit		670240792609



Z5561



Z5560

URINALS

PRODUCT NO.	DESCRIPTION	WEIGHT (LBS.)	UPC
0.125 gpf, Ultra Low Consumption Urinal			
Z5708-U	"The Nano Pint" - Washout .0125 gpf urinal fixture designed to retrofit 4 bolt pattern urinals with 3/4" top spud.	28	670240253032
Z5738-U	"The Small Pint" - Washout .0125 gpf urinal fixture with 3/4" top spud. Dimensions 22-1/4" x 14-1/2".	39	670240401631
Z5758-U	"The Retrofit Pint" - Washout .0125 gpf urinal fixture with 3/4" top spud. Dimensions 29" x 18-1/2".	72	670240396814
Z5759-U	"The Retrofit Pint" - Washout .0125 gpf urinal fixture with 3/4" back spud. Dimensions 29" x 18-1/2".	72	670240398115
1.0 gpf, Siphon Jet Urinal			
Z5730	Top Spud - Vitreous china, wall hung siphon jet urinal provided with 3/4" top spud and wall hanger.	34	670240605923
0.125 gpf to 1.0 gpf, Omni-Flo® Urinal			
Z5755-U	3/4" Top Spud. Vitreous china, low consumption, wall hung urinal with universal mounting bracket.	65	670240836839
Z5765-U	3/4" Back Spud. Vitreous china, low consumption, wall hung urinal with universal mounting bracket.	65	670240836846
Water Free Urinal			
Z5795	Vitreous china, wall hung waterless urinal with integral trap and drain line connection. Urinal is furnished with concealed wall hanger brackets, telescoping flanged PVC drain line connection, premeasured green sealant bottles, and drain line gasket. Zurn green sealant maintains a sanitary, environmentally friendly, and odor-free installation. No special tools are required to maintain the trap seal. Dimensions 27" x 19".	66	670240646896



Z5708-U



Z5738-U



Z5758-U



Z5759-U



Z5730



Z5755-U



Z5765-U



Z5795

WALL HUNG LAVATORIES

PRODUCT NO.	DESCRIPTION	WEIGHT (LBS.)	UPC
19" x 17" Wall Hung Lavatories			
Z5351	19" x 17" vitreous china wall hung lavatory with single faucet hole. Provided with hanger plate.	28	670240605824
Z5354	19" x 17" vitreous china wall hung lavatory with 4" center faucet holes. Provided with hanger plate.	28	670240605831
Z5358	19" x 17" vitreous china wall hung lavatory with 8" center faucet holes. Provided with hanger plate.	28	670240605848
20" x 18" Wall Hung Lavatories			
Z5314	20" x 18" vitreous china wall hung lavatory with back overflow and 4" center faucet holes. For exposed or concealed arm carrier systems.	35	670240606036
Z5341	20" x 18" vitreous china wall hung lavatory with single faucet hole. Provided with hanger plate and holes for concealed arms.	42	670240605794
Z5341-RS	20" x 18" vitreous china wall hung lavatory with single faucet hole and right soap hole. Provided with hanger plate and holes for concealed arms.	42	670240246386
Z5341-LS	20" x 18" vitreous china wall hung lavatory with single faucet hole and left soap hole. Provided with hanger plate and holes for concealed arms.	42	670240690165
Z5344	20" x 18" vitreous china wall hung lavatory with 4" center faucet holes. Provided with hanger plate and holes for concealed arms.	42	670240605800
Z5348	20" x 18" vitreous china wall hung lavatory with 8" center faucet holes. Provided with hanger plate and holes for concealed arms.	42	670240605817
Z5361	20" x 18" vitreous china wall hung lavatory with single faucet hole. Provided with hanger plate and holes for concealed arm carrier systems.	42	670240641396
Z5364	20" x 18" vitreous china wall hung lavatory with 4" center faucet holes. Provided with hanger plate and holes for concealed arm carrier systems.	42	670240641402
Z5368	20" x 18" vitreous china wall hung lavatory with 8" center faucet holes. Provided with hanger plate and holes for concealed arm carrier systems.	42	670240641419
23" x 20-1/4" Wheelchair Lavatory			
Ⓐ Z5321	23" x 20-1/4" with single faucet hole. Vitreous china, wall hung lavatory provided with holes for concealed arm carrier systems.	34	670240644588
Ⓐ Z5321-RS	23" x 20-1/4" with single faucet hole and right soap hole. Vitreous china, wall hung lavatory provided with holes for concealed arm carrier systems.	34	670240495975
Ⓐ Z5321-LS	23" x 20-1/4" with single faucet hole and left soap hole. Vitreous china, wall hung lavatory provided with holes for concealed arm carrier systems.	34	670240700567
Ⓐ Z5324	23" x 20-1/4" with 4" center faucet holes. Vitreous china, wall hung lavatory provided with holes for concealed arm carrier systems.	34	670240644595
Ⓐ Z5328	23" x 20-1/4" with 8" center faucet holes. Vitreous china, wall hung lavatory provided with holes for concealed arm carrier systems.	34	670240644601
Ⓐ Z5321-PED	23" x 20-1/4" with single faucet hole. Vitreous china, wall hung lavatory provided with holes for concealed arm carrier systems with vitreous china half pedestal shroud to conceal trap and supply connections.	41	670240389571
Ⓐ Z5324-PED	23" x 20-1/4" with 4" center faucet holes. Vitreous china, wall hung lavatory provided holes for concealed arm carrier systems with vitreous china half pedestal shroud to conceal trap and supply connections.	41	670240389588



Z535_



Z531_



Z534_



Z536_



Z532_



Z532_-PED

COUNTERTOP AND UNDERMOUNT LAVATORIES

PRODUCT NO.	DESCRIPTION	WEIGHT (LBS.)	UPC
20" x 17" Self-Rimming Countertop Lavatories			
Z5111	20" x 17" vitreous china, self-rimming, countertop lavatory with single faucet hole.	22	670240605954
Z5111-RS	20" x 17" vitreous china, self-rimming, countertop lavatory with single faucet hole and right soap hole.	22	670240456563
Z5111-LS	20" x 17" vitreous china, self-rimming, countertop lavatory with single faucet hole and left soap hole.	22	-
Z5114	20" x 17" vitreous china, self-rimming, countertop lavatory with 4" center faucet holes.	22	670240605961
Z5118	20" x 17" vitreous china, self-rimming, countertop lavatory with 8" center faucet holes.	22	670240605978
19" Round Self-Rimming Countertop Lavatories			
Z5124	19" round vitreous china, self-rimming countertop lavatory with 4" center faucet holes.	22	670240605992
19" x 16" Undermount Lavatories			
Z5220	19" x 16" vitreous china undermount lavatory with front overflow.	22	670240606012



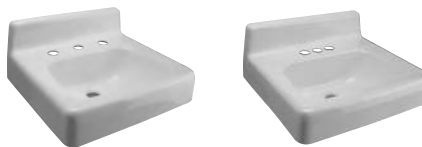
Z511_

Z512_

Z5220

CAST IRON LAVATORIES

PRODUCT NO.	DESCRIPTION	WEIGHT (LBS.)	UPC
19" x 17" Enameled Cast Iron Wall Hung Lavatory			
Z5834	19" x 17" enameled cast iron wall hung lavatory. Provided with 4" center faucet holes and hanger plate.	61	670240626034
20" x 18" Enameled Cast Iron Wall Hung Lavatory			
Z5841	20" x 18" enameled cast iron wall hung lavatory. Provided with single hole center faucet.	60	670240626058
Z5844	20" x 18" enameled cast iron wall hung lavatory. Provided with 4" center faucet holes.	60	670240606470
Z5848	20" x 18" enameled cast iron wall hung lavatory. Provided with 8" center faucet holes.	60	670240606487



Z583_

Z584_

HOSPITAL AND INSTITUTIONAL FIXTURES

PRODUCT NO.	DESCRIPTION	WEIGHT (LBS.)	UPC
Wall Mount, Blowout Service Sink			
Z5410	Vitreous china, wall mounted blowout service sink with integral flushing rim and 1-1/2" top spud, with ZurnSHIELD glaze.	60	670240606050
Floor Mounted, Siphon Jet Service Sink			
Z5420	Vitreous china, floor mounted siphon jet service sink with integral flushing rim and 1-1/2" top spud, with ZurnSHIELD glaze.	60	670240606067
28" x 22" Surgeon Sink			
Z5461-AM	28" x 22" vitreous china surgeon sink. Provided with wall hangers, support brackets, and single faucet hole, with ZurnSHIELD glaze.	83	670240810259
Z5468-AM	28" x 22" vitreous china surgeon sink. Provided with wall hangers, support brackets, and 8" center faucet holes, with ZurnSHIELD glaze.	83	670240810273



Z5410

Z5420

Z546-AM

SPECIALTY FIXTURES

PRODUCT NO.	DESCRIPTION	WEIGHT (LBS.)	UPC
Custodial Floor Sink			
Z5850	28" x 28" enameled cast iron corner floor sink. Outlet not included.	210	670240607897
SUFFIXES			
-RG	Rim guard. Outlet not included.	-	670240614314
-D2	2" IPS outlet connection.	-	670240614451
-D3	3" IPS outlet connection.	-	670240614468
Service Sink			
Z5888	22" x 18" enameled cast iron service sink with 8" center faucet holes. Provided with hanger plate, U-type rim guard, and 12" backsplash.	115	670240606562
Z5898	24" x 20" enameled cast iron service sink with 8" center faucet holes. Provided with hanger plate, U-type rim guard, and 12" backsplash.	125	670240606586



Z5850

Z5888

Z5898

TOILET SEATS

PRODUCT NO.	DESCRIPTION	UPC
Toilet Seats		
Z5955SS-EL	Open front less cover, heavy duty, with stainless steel check hinge	670240610804
Z5955SS-EL-BK	Open front less cover, heavy duty, with stainless steel check hinge	670240633483
Z5955SS-EL-ST5	Open front less cover, heavy duty, with self sustaining stainless steel check hinge	670240610781
Z5955SS-AM-ST5	Open front less cover, stainless steel self-sustaining check hinge, ZurnSHIELD	670240622890
Z5955SS-EL-AMFR-ST5	Fire Retardant Open front less cover, stainless steel self-sustaining check hinge, ZurnSHIELD	670240356412
Z5956SS-EL	Open front less cover, extra heavy duty, with stainless steel check hinge	670240610811
Z5956SS-EL-ST5	Open front less cover, extra heavy duty, with self sustaining steel check hinge	670240610798
Z5956SS-AM	Elongated, premium white, open front toilet seat, less cover, with stainless steel check hinge and ZurnSHIELD protection.	670240629356
Z5957SS-EL	Open front with cover extra, heavy duty, commercial, stainless steel hinge	670240610828
Z5958SS-EL	Closed front with cover, extra heavy duty, commercial, stainless steel hinge	670240610842
Z5959SS-JUV	Baby Bowl, open front less cover, stainless steel hinge, ZurnSHIELD	670240616998



Z5955SS-__

Z5956SS-__

Z5957SS-__

Z5958SS-__

Z5959SS-JUV

MISCELLANEOUS PARTS

PART NUMBER	DESCRIPTION	UPC
Toilets		
Z5560-TNK-PA	Z5560 TNK Only - With Lid	670240632721
Z5560-BWL	Z5560 BWL Only	670240616424
Z5560-TNK-PA-LID	Z5560 Lid Only	670240377820
S004	Z5560 Handle Assembly	670240235427
Z5570-BWL	Z5570 BWL Only	670240616431
Z8106	Pressure Assist replacement tank kit 1.6 gpf	670240792609
Urinals		
P5795-1	Strainer for Waterless Urinal	670240666207
P5795-2	Bell Trap for Waterless Urinal	670240664357
P5795-3	Bell Trap O-Ring for Waterless Urinal	670240664364
P5795-4	Ferrule for Waterless Urinal	084169005632
P5795-5	Ferrule Nut for Waterless Urinal	670240395541
P5795-6	Ferrule Nut and Ferrule for Waterless Urinal	670240780316
P5795-7	Flange Gasket for Waterless Urinal	670240395558
P5795-8	Flange for Waterless Urinal	670240395565
P5795-9	Flange and Gasket for Waterless Urinal	670240780323
P5795-10	Strainer Removal Tool for Waterless Urinal	670240391277
ZGS-1280Z	Gallon Bottle of AquaGreen Sealant for Z5795 Water Free Urinal	670240646926
ZGS-320Z	Quart Bottle of AquaGreen Sealant for Z5795 Water Free Urinal	670240646919
ZGS-040Z	4 oz. Bottle of AquaGreen Sealant for Z5795 Water Free Urinal	670240646902
Lavatories		
Z5220-KIT	Z5220 Mounting Hardware Kit	670240637993
Z5340-BKT	Z5340 Wall Hanger Bracket	670240638006
Z5410-20-SRG	Z5410 Stainless Steel Side Rim Guard	-
Z5460-BKT	Z5460 Wall Hanger Bracket	670240638112
Z5460-SB	Z5460 Support Bracket	670240638129
Other		
Z5840-BKT	Z5840 Wall Hanger Bracket	-
Z5850-RG	Z5850 Coated Rim Guard	670240614314
Z5850-D2	Z5850 2" IPS Outlet with Strainer	670240614451
Z5850-D3	Z5850 3" IPS Outlet with Strainer	670240614468
Z5850-L2	Z5850 2" Iron Pipe/Solder Outlet with Strainer	670240638044
Z5880-BKT	Z5880 Wall Hanger Bracket	670240638099
Z5890-BKT	Z5890 Wall Hanger Bracket	670240638105
Z5972-COMB	Z5972 Closet Bolt/Wax Ring Kit	670240633186
Z5972-HDW	Z5972 Tank-to-Bowl Mounting Hardware	670240633247
Z5972-CAP	Z5972 Toilet Plastic Bolt Cap Kit	670240638068
Z5974-FLO-PVC	Z5974 Flo-Bowl Closet Flange Kit - PVC	670240633292
Z5974-FLO-ABS	Z5974 Flo-Bowl Closet Flange Kit - ABS	670240633308
Z5975-FLO-JR	Z5975 Flo-Bowl Jr. - PVC	670240610910
Z5976-URINAL	Z5976 Urinal Flange Kit - PVC	670240637863
Z5977-NEO	Z5977 Neo-Seal Gasket Kit for Wall Mounted Bowls	670240628298
Z5610-NUT-EXT-KIT	Extended Acorn Nut Kit with Washers	670240646698
Z5980GBS-34	Z5980GBS-34, 3/4" GO BLUE Spud, Gasket & Washer	670240412057
Z5980GBS-112	Z5980GBS-112, 1-1/2" GO BLUE Spud, Gasket & Washer	670240412040

FLUSH VALVES

FAUCETS

TEMP-GARD™

TUBULAR BRASS

FIXTURES

AQUAPARTS™ REPAIR PARTS AND ASSEMBLIES

ZURN COMMERCIAL FIXTURES CARRIER SELECTION GUIDE

Fixture Product No.	Type	Size	Zurn Recommended Carrier System
Z5311 Z5314 Z5341 Z5344 Z5348	Lavatory	20 x 18	Z1224, Z1231, Z1251, Z1253, Z1254, Z1259
Z5844 Z5848	Lavatory	20 x 18	Z1224, Z1231-AL, Z1236-AL, Z1251-AL, Z1253-AL, Z1254-AL, Z1255-AL, Z1256-AL, Z1257-AL, Z1258-AL, Z1259
Z5351 Z5354 Z5358	Lavatory	19 x 17	Z1224, Z1259
Z5834	Lavatory	19 x 17	Z1224, Z1231-AL, Z1236-AL, Z1251-AL, Z1253-AL, Z1254-AL, Z1255-AL, Z1256-AL, Z1257-AL, Z1258-AL, Z1259
Z5321 Z5324 Z5328	ADA Lavatory	23 x 20-1/4	Z1231-79, Z1251-79, Z1253-79, Z1254-79
Z5360 Z5361 Z5364 Z5368	High Back Lavatory	20 x 18	Z1224, Z1231, Z1251, Z1253, Z1254, Z1259
Z5410	Service Sink	19 x 21-1/2	Z1217-B, Z1218-B
Z5888	Service Sink	22 x 18	Z1229
Z5898	Service Sink	24 x 20	Z1229
Z5461 Z5468	Surgeon Sink	28 x 22	Z1224-2, Z1259-BP
Z5615	Wall Hung Toilet	25 x 14	Z1201, Z1202, Z1203, Z1204, Z1207, Z1208, Z1209, Z1212, Z1280, Z1282, Z1283, Z1284, Z1285
Z5730	Urinal	13 x 14-1/2	Z1221, Z1222, Z1259
Z5795	Waterless Urinal	27 x 19	Z1221, Z1222, Z1259

ZURN COMMERCIAL FIXTURES CROSS REFERENCE GUIDE

Zurn provides this information for general cross reference purposes only. Zurn makes no representations regarding the quality, comparability, or compatibility of any competitor products listed. All information is subject to change without notice.

FLUSH VALVE TOILETS

Product No.	American Standard*†		Kohler*§		Crane*¶		Eljer*#		Toto***	
	Name	No.	Name	No.	Name	No.	Name	No.	Name	No.
1.1 gpf or Greater, Elongated, Wall Hung Flush Valve Toilet										
Z5615-BWL	Afwall	2257.103	Kingston	K-4330	Placidus	3446	Signature	111-2105	-	CT708
Z5616-BWL	Afwall	2257.194	Kingston	K-4330-L	Placidus	3H722	Signature	111-2113	No Equal	No Equal
1.28 gpf or Greater, Concealed, Elongated, Wall Hung Flush Valve Toilet										
Z5617-BWL	Afwall	2258.125	Kingston	K-4329	Placidus	3449	Signature	111-2110	No Equal	No Equal
1.28 gpf or Greater, Back Outlet, Floor Mounted Flush Valve Toilet										
Z5635-BWL	Neolo	2530.016	Angsley	K-4387	Carlton	4380	Signature	111-2156	No Equal	No Equal
Z5637-BWL	No Equal	No Equal	No Equal	No Equal	No Equal	No Equal	Signature	111-2163	No Equal	No Equal
1.28 gpf or Greater, ADA Height, Back Outlet, Floor Mounted Flush Valve Toilet										
Z5645-BWL	No Equal	No Equal	No Equal	No Equal	Flormont	3709	Sherwin	111-2875	No Equal	No Equal
Z5646-BWL	No Equal	No Equal	No Equal	No Equal	Flormont	3709H	Sherwin	111-2883	No Equal	No Equal
Z5647-BWL	No Equal	No Equal	No Equal	No Equal	Flormont	3709H	Sherwin	111-2883	No Equal	No Equal
1.1 gpf or Greater, Elongated, Floor Mounted Flush Valve Toilet										
Z5655-BWL1	Madera	2234.015	Wellcomme	K-4349	Whirlton	3325	Signature	111-2125	-	CT705
Z5657-BWL1	No Equal	No Equal	Wellcomme	K-4350	No Equal	No Equal	Signature	111-2165	No Equal	No Equal
1.1 gpf or Greater, ADA Height, Elongated, Floor Mounted Flush Valve Toilet										
Z5665-BWL1	Madera	3043.102	Highcrest Highcliff	K-4302 K-4368	Hymont	3H701	Signature	111-2145	-	CT705L
Z5666-BWL1	Madera	3043.156	Highcrest Highcliff	K-4302-L K-4368-L	Hymont Jr. Creston	3816 4377	Signature	111-2153	No Equal	No Equal
Z5667-BWL1	No Equal	No Equal	Highcliff Highcrest	K-4367 K-4301	No Equal	No Equal	Signature	111-2175	No Equal	No Equal
Children's Round Floor Mounted Flush Valve Toilet										
Z5675-BWL	Devoro	2282.01	Primary	K-4321	Baby	3380	Kindergarten	111-1000	No Equal	No Equal

TWO-PIECE TOILETS

Product No.	American Standard*		Kohler*		Crane*		Eljer*		Toto*	
	Name	No.	Name	No.	Name	No.	Name	No.	Name	No.
1.28 gpf, Elongated, High Efficiency Siphon Jet Toilet										
Z5535-K	-	211CA	-	-	-	-	-	-	-	-
Z5555-K	-	211AA	-	-	-	-	-	-	-	-

Zurn provides this information for general cross reference purposes only. Zurn makes no representations regarding the quality, comparability, or compatibility of any competitor products listed. All information is subject to change without notice.

HIGH PERFORMANCE PRESSURE ASSIST TOILETS

Product No.	American Standard*		Kohler*		Crane*		Eljer*		Toto*	
	Name	No.	Name	No.	Name	No.	Name	No.	Name	No.
1.0 gpf, High Efficiency, Elongated Pressure Assist Toilet										
Z5561	No Equal	No Equal	Highline	K-3519	No Equal	No Equal	No Equal	No Equal	No Equal	No Equal
Z5571	No Equal	No Equal	Wellworth	K-3531	No Equal	No Equal	No Equal	No Equal	No Equal	No Equal
1.6 gpf, Elongated Pressure Assist Toilet										
Z5560	Cadet	2377.1	Highline	K-3544	Economizer	3838	Aqua-Saver	091-7045	No Equal	No Equal
Z5570	Cadet	2333.1	Wellworth	K-3458	Economizer	3835	Aqua-Saver	091-7025	No Equal	No Equal

TOILET SEATS

Product No.	Centoco**†	Bemis*‡	Beneke*§§	Church	Olsonite*¶¶
Z5955SS-EL	500STSCC	1955-C	523	295C	10CC
Z5956SS-EL	1500STSCC	1655C	527	9400C/9500	10SSC
Z5956SS-AM	1500STSCC	1655C	527	9400C/9500	10SSC
Z5957SS-EL	820STS	1950ST	521HPSS	-	46SSTL
Z5958SS-EL	800STS	1900ST	520SPSS	-	44SSTL
Z5959SS-JUV	AM2300SSTSCC	BB955C	323-5	1580C	126CC

URINALS

Product No.	American Standard*		Kohler*		Crane*		Eljer*		Toto*	
	Name	No.	Name	No.	Name	No.	Name	No.	Name	No.
0.125 gpf, Ultra Low Consumption Urinal										
Z5708-U	Jetbrook	6571.014	K-4917	Steward S	No Equal	No Equal	No Equal	No Equal	-	-
Z5738-U	Allbrook	6541.132	K-4918	Steward	UT105	UT105	No Equal	No Equal	-	-
Z5758-U	Lynbrook	6601.012	K-4972-T	Stanwell	No Equal	No Equal	No Equal	No Equal	-	-
Z5759-U	No Equal	No Equal	No Equal	No Equal	No Equal	No Equal	No Equal	No Equal	-	-
1.0 gpf, Siphon Jet Urinal										
Z5730	Allbrook	6541.132	K-5016-ET	Dexter	7309	Manhattan	161-1150 161-2090	Dover Signature	UT104	-
0.125 gpf to 1.0 gpf, Omni-Flo Urinal										
Z5755-U	Washbrook Flowise	6590.001	K-4904-ET	Bardon	-	-	-	-	-	-
Z5765-U	Washbrook Flowise	6515.001	K-4904-ER-0	Bardon	-	-	-	-	-	-
Water Free Urinal										
Z5795	F-1000	-	-	WES1000	-	2102	-	-	-	-

Zurn provides this information for general cross reference purposes only. Zurn makes no representations regarding the quality, comparability, or compatibility of any competitor products listed. All information is subject to change without notice.

WALL HUNG LAVATORIES

Product No.	American Standard®		Kohler®		Crane®		Eljer®		Toto®	
	Name	No.	Name	No.	Name	No.	Name	No.	Name	No.
19" x 17" Wall Hung Lavatories										
Z5351	No Equal	No Equal	Chesapeake	K-1722	No Equal	No Equal	No Equal	No Equal	No Equal	No Equal
Z5354	Declyn	321.026	Chesapeake	K-1728	No Equal	No Equal	Murray II Blair	051-0244 051-1304	No Equal	No Equal
Z5358	No Equal	No Equal	Chesapeake	K-1724	No Equal	No Equal	No Equal	No Equal	No Equal	No Equal
20" x 18" Wall Hung Lavatories										
Z5314	Roxalyn	195.073	Soho	K-2054	Norwich	1165V	Mayburne	051-2244	No Equal	No Equal
Z5341	Lucerne	356.421	Chesapeake Kingston	K-1721 K-2007	Harwich Clayton	1412H 4642H	Signature	051-2101	Wall Mount	LT307
Z5344	Lucerne Comrade	355.012 124.131	Chesapeake Kingston	K-1729 K-2005	Harwich Clayton	1412V 4642V	Blair Signature	051-1307 051-2104	Wall Mount	LT307.4
Z5348	Lucerne	356.015	Chesapeake Kingston	K-1723 K-2006	Harwich Clayton	1412S 4643S	Blair Signature	051-1308 051-2108	Wall Mount	LT307.8
Z5361	No Equal	No Equal	No Equal	No Equal	No Equal	No Equal	Bucknell	052-0195	No Equal	No Equal
Z5364	No Equal	No Equal	No Equal	No Equal	No Equal	No Equal	Bucknell	052-0174	No Equal	No Equal
Z5368	No Equal	No Equal	No Equal	No Equal	No Equal	No Equal	Bucknell	052-0188	No Equal	No Equal
23" x 20-1/4" Wheelchair Lavatory										
Z5321	Murro	955	No Equal	No Equal	Diana	110H	No Equal	No Equal	No Equal	No Equal
Z5324	Murro	954	No Equal	No Equal	Diana	110V	FreeStyle	051-2204	No Equal	No Equal
Z5328	Murro	958	No Equal	No Equal	Diana	110S	FreeStyle	051-2208	No Equal	No Equal
Z5321-PED	Murro	955 w/0059.020	No Equal	No Equal	Neu-Diana	127H	No Equal	No Equal	No Equal	No Equal
Z5324-PED	Murro	954 w/0059.020	No Equal	No Equal	Neu-Diana	127V	FreeStyle	051-2205	No Equal	No Equal

COUNTERTOP AND UNDERMOUNT LAVATORIES

Product No.	American Standard®		Kohler®		Crane®		Eljer®		Toto®	
	Name	No.	Name	No.	Name	No.	Name	No.	Name	No.
20" x 17" Self-Rimming Countertop Lavatories										
Z5111	Aqualyn Cadet	475.047 419.111	Pennington	K-2196-1	Chelsea Vienne	1280H 4626	Murray Laura	051-0121 051-3515	Reliant Reliant	LT401 LT501
Z5114	Aqualyn Cadet	476.028 419.444	Pennington	K-2196-4	Chelsea Sanibel	1280S 4623	Murray Laura	051-0124 051-3514	Reliant Reliant	LT401.4 LT501.4
Z5118	Aqualyn Cadet	475.02 419.888	Pennington	K-2196-8	Chelsea Vienne	1280V 4624	Murray Laura	051-0128 051-3518	Reliant Reliant	LT401.8 LT501.8
19" Round Self-Rimming Countertop Lavatories										
Z5124	Rondalyn Cadet	491.019 427.444	Brookline	K-2202-4	Carla	1550V 4618	Murray Lisa	051-0174 051-3504	Reliant Reliant	LT402.4 LT502.4
19" x 16" Undermount Lavatories										
Z5220	Ovalyn Ovalyn-U.A.	496.221 9482.0000	Caxton	K-2211	Tiara	1992	Barrow	051-3381	Reliant	LT587

Zurn provides this information for general cross reference purposes only. Zurn makes no representations regarding the quality, comparability, or compatibility of any competitor products listed. All information is subject to change without notice.

CAST IRON LAVATORIES

Product No.	American Standard*		Kohler*		Crane*		Eljer*		Toto*	
	Name	No.	Name	No.	Name	No.	Name	No.	Name	No.
19" x 17" Enameled Cast Iron Wall Hung Lavatory										
Z5834	Regalyn	4867.004	Hudson	K-2861	No Equal	No Equal	Bucknell	052-0164	-	541
20" x 18" Enameled Cast Iron Wall Hung Lavatory										
Z5841	No Equal	No Equal	Hudson	K-2810	No Equal	No Equal	Bucknell	052-0195	-	551-1
Z5844	Regalyn	4869.004	Hudson	K-2849	No Equal	No Equal	Bucknell	052-0174	-	551
Z5848	Regalyn	4869.008	Hudson	K-2869	No Equal	No Equal	Bucknell	052-0188	-	550

HOSPITAL/INSTITUTIONAL FIXTURES

Product No.	American Standard*		Kohler*		Crane*		Eljer*		Toto*	
	Name	No.	Name	No.	Name	No.	Name	No.	Name	No.
Wall Mount, Blowout Service Sink										
Z5410	Clinic	9512.021	Camerton	K-12867	Sani-Sink Newcor	7H544 5H258	Judson	241-0260	No Equal	No Equal
Floor Mounted, Siphon Jet Service Sink										
Z5420	Clinic	9504.01	Tyrell	K-6676	Newcor	7H538/H537	Mercer	241-0270	No Equal	No Equal
28" x 22" Surgeon Sink										
Z5461-AM	Surgeon	9047.093	Hollister	K-12793	Neu-Medic	5H256	Surgeon	231-0141	No Equal	No Equal
Z5468-AM	Surgeon	9047.044	Hollister	K-12794	No Equal	No Equal	Surgeon	231-0144	No Equal	No Equal

SPECIALTY FIXTURES

Product No.	American Standard*		Kohler*		Crane*		Eljer*		Toto*	
	Name	No.	Name	No.	Name	No.	Name	No.	Name	No.
Custodial Floor Sink										
Z5850	Florwell	7741	Whitby	K-6710	No Equal	No Equal	Custodial	242-0050	-	871
Z5850-RG	-	-	-	-	-	-	-	-	-	-
Z5850-D2	-	-	-	-	-	-	-	-	-	-
Z5850-D3	-	-	-	-	-	-	-	-	-	-
Service Sink										
Z5888	Lakewell	7692.008	Bannon	K-6714	No Equal	No Equal	Rollins	242-0150	-	865
Z5898	Akron	7695.008	Bannon	K-6715	No Equal	No Equal	Rollins	242-0155	-	866

* Sloan® is a registered trademark of Sloan Valve Company. Sloan and the Sloan products listed are not associated with Zurn or Zurn's products.

* American Standard® is a registered trademark of Lixil Group. American Standard and the American Standard products listed are not associated with Zurn or Zurn's products.

* Kohler® is a registered trademark of Kohler Co. Kohler and the Kohler products listed are not associated with Zurn or Zurn's products.

* Crane® is a registered trademark of Lixil Group. Crane Plumbing and the Crane Plumbing products listed are not associated with Zurn or Zurn's products.

* Eljer® is a registered trademark of Lixil Group. Eljer and the Eljer products listed are not associated with Zurn or Zurn's products.

* TOTO® is a registered trademark of TOTO, LTD. TOTO and the TOTO products listed are not associated with Zurn or Zurn's products.

** Centoco® is a registered trademark of Centoco Plastics Limited. Centoco and the Centoco products listed are not associated with Zurn or Zurn's products.

** Bemis® is a registered trademark of Bemis Manufacturing Company. Bemis and the Bemis products listed are not associated with Zurn or Zurn's products.

** Beneke® is a registered trademark of Bemis Manufacturing Company. Bemis and the Bemis products listed are not associated with Zurn or Zurn's products.

** Olsonite® is a registered trademark of Bemis Manufacturing Company. Bemis and the Bemis products listed are not associated with Zurn or Zurn's products.

The brands and product names listed may be subject to the trademark rights of their respective owners. Use of the brands and names is for identification purposes only and does not imply affiliation with or endorsement by Zurn.

AQUAPARTS® AND ASSEMBLIES

When ordering parts, always list product number and description.

AQUAPARTS® PARTS AND ASSEMBLIES

A – FLUSH TUBES WITH VACUUM BREAKER FOR AQUAVANTAGE® AND AQUAFLUSH® FLUSH VALVES	132
B – VACUUM BREAKER REPAIR KITS FOR AQUAVANTAGE® AND AQUAFLUSH®	133
C, D – CONTROL STOP KITS FOR AQUAVANTAGE® AND AQUAFLUSH®	133
E – INTERNAL KITS AND ASSEMBLIES	134
G, H – WALL FLANGES, SPUD CONNECTIONS, AND COUPLINGS FOR AQUAVANTAGE® AND AQUAFLUSH®	135
J, K – TAILPIECE EXTENSIONS AND COUPLING NUT ASSEMBLIES FOR AQUAVANTAGE® AND AQUAFLUSH®	135
L, M – VALVE CAPS AND HANDLE PARTS FOR AQUAVANTAGE® AND AQUAFLUSH® EXPOSED FLUSH VALVES	136
METRO – METROFLUSH® FLUSH VALVE PARTS	136
N – CONCEALED VALVE ACTUATOR ASSEMBLIES AND REPAIR PARTS FOR AQUAVANTAGE® AND AQUAFLUSH®	137
P – DIVERTER PARTS FOR BEDPAN WASHERS	138
Q – MISCELLANEOUS FLUSH CONNECTIONS AND ELBOWS FOR AQUAVANTAGE® AND AQUAFLUSH® CONCEALED VALVES	139

TPO – TRAP PRIMER PARTS FOR AQUAVANTAGE® AND AQUAFLUSH® VALVES	140
Y – MISCELLANEOUS VALVE PARTS AND ACCESSORIES	140
ZH – HYDRAULIC SERIES FLUSH VALVE REPAIR KITS AND PARTS FOR AQUAVANTAGE® AND AQUAFLUSH® VALVES	141
ZEMS – AQUASENSE® ZEMS ELECTRONIC SENSOR REPLACEMENT PARTS	142
ZERK – AQUASENSE® E-Z FLUSH BATTERY SENSOR REPLACEMENT PARTS	142
ZTR – ECOVANTAGE® BATTERY SENSOR FLUSH VALVES – ZTR SERIES	143
Z5795 WATER FREE URINAL PARTS	144
ZBF – AQUASENSE® E-Z SENSOR-OPERATED FAUCETS REPLACEMENT PARTS	144

PRODUCTS/PARTS EXPLODED VIEWS WITH IDENTIFICATION

AQUAVANTAGE® AV FLUSH VALVES WITH CHEMICAL AND CLOG-RESISTANT, TRIPLE FILTER DIAPHRAGM	147
AQUAVANTAGE® AND AQUAFLUSH® CONCEALED REPLACEMENT PARTS - Z6100AV AND Z6100 SERIES	148
AQUAFLUSH® FLUSH VALVES WITH CHEMICAL AND CLOG-RESISTANT DIAPHRAGM	149

AQUAVANTAGE® AND AQUAFLUSH® HYDRAULIC-OPERATED REPLACEMENT PARTS	150
METROFLUSH® REPLACEMENT PARTS	151
BEDPAN WASHER REPLACEMENT PARTS	152
ZERK-TM REPLACEMENT PARTS	153
ZTR6200EV SERIES REPLACEMENT PARTS	154
ZEMS-IS SERIES REPLACEMENT PARTS	155
ZEMS CLOSET SERIES REPLACEMENT PARTS	156
ZEMS URINAL VALVE REPLACEMENT PARTS	157
ZEMS G2 SERIES REPLACEMENT PARTS	158
ZEMS G2 SERIES REPLACEMENT PARTS	160
E-Z FLUSH® REPLACEMENT PARTS	161
EZ GEAR SENSOR FAUCET REPLACEMENT PARTS	162
AQUASENSE® E-Z SENSOR - Z6913-XL AND Z6915-XL FAUCETS REPLACEMENT PARTS	163
AQUASENSE® E-Z SENSOR - Z6920-XL (DECK MOUNT) AND Z6922-XL (BACK MOUNT) FAUCET REPLACEMENT PARTS	164
Z6950-XL-S, Z6955-XL-S AND Z6950-XL-IM-S AQUA-FIT® SERIO SERIES® REPLACEMENT PARTS	165

AQUAPARTS® PARTS AND ASSEMBLIES

A – Flush Tubes with Vacuum Breaker for AquaVantage® and Aquaflush® Flush Valves

**NOTE: Not Stock Items – Call Zurn Customer Care for availability and lead times (1-800-997-3876).

PRODUCT NO.	DESCRIPTION	UPC
P6000-AA-CP	Vacuum Breaker Nut/Coupling - CP	670240414099
P6000-AA-RB	Vacuum Breaker Nut/Coupling - RB	670240414105
P6003-A-CP	3/4" x 9" Flush Tube/Vacuum Breaker less Nut - CP	670240412781
P6003-A-AA-CP	3/4" x 9" Flush Tube/Vacuum Breaker with Nut - CP	670240412842
P6003-1-A-CP**	3/4" x 13" Flush Tube/Vacuum Breaker less Nut - CP	670240412859
P6003-1-A-AA-CP**	3/4" x 13" Flush Tube/Vacuum Breaker with Nut - CP	670240412910
P6003-2-A-CP	3/4" x 21" Flush Tube/Vacuum Breaker less Nut - CP	670240576568
P6003-2-A-AA-CP	3/4" x 21" Flush Tube/Vacuum Breaker with Nut - CP	670240576551
P6003-3-A-CP**	3/4" x 24" Flush Tube/Vacuum Breaker less Nut - CP	670240412835
P6003-3-A-AA-CP**	3/4" x 24" Flush Tube/Vacuum Breaker with Nut - CP	670240416031
P6001-A-CP	1-1/4" x 9" Flush Tube/Vacuum Breaker less Nut - CP	670240412958
P6001-A-AA-CP	1-1/4" x 9" Flush Tube/Vacuum Breaker with Nut - CP	670240576544
P6001-1-A-CP**	1-1/4" x 13" Flush Tube/Vacuum Breaker less Nut - CP	670240413047
P6001-1-A-AA-CP**	1-1/4" x 13" Flush Tube/Vacuum Breaker with Nut - CP	670240576537
P6001-2-A-CP	1-1/4" x 21" Flush Tube/Vacuum Breaker less Nut - CP	670240412934
P6001-2-A-AA-CP	1-1/4" x 21" Flush Tube/Vacuum Breaker with Nut - CP	670240412996
P6001-3-A-CP**	1-1/4" x 24" Flush Tube/Vacuum Breaker less Nut - CP	670240415836
P6001-3-A-AA-CP**	1-1/4" x 24" Flush Tube/Vacuum Breaker with Nut - CP	670240416048
P6000-A-CP	1-1/2" x 9" Flush Tube/Vacuum Breaker less Nut - CP	670240414136
P6000-A-AA-CP	1-1/2" x 9" Flush Tube/Vacuum Breaker with Nut - CP	670240414198
P6000-1-A-CP	1-1/2" x 13" Flush Tube/Vacuum Breaker less Nut - CP	670240414426
P6000-1-A-AA-CP	1-1/2" x 13" Flush Tube/Vacuum Breaker with Nut - CP	670240414488
P6000-2-A-CP	1-1/2" x 21" Flush Tube/Vacuum Breaker less Nut - CP	670240576278
P6000-2-A-AA-CP	1-1/2" x 21" Flush Tube/Vacuum Breaker with Nut - CP	670240414464
P6000-3-A-CP	1-1/2" x 24" Flush Tube/Vacuum Breaker less Nut - CP	670240576292
P6000-3-A-AA-CP	1-1/2" x 24" Flush Tube/Vacuum Breaker with Nut - CP	670240576285
P6000-30-A-CP	1-1/2" x 30" Flush Tube/Vacuum Breaker less Nut - CP	670240414259
P6000-30-A-AA-CP	1-1/2" x 30" Flush Tube/Vacuum Breaker with Nut - CP	670240414242
P6000-36-A-CP	1-1/2" x 36" Flush Tube/Vacuum Breaker less Nut - CP	670240414174
P6000-36-A-AA-CP	1-1/2" x 36" Flush Tube/Vacuum Breaker with Nut - CP	670240414167
P6003-A-RB**	3/4" x 9" Flush Tube/Vacuum Breaker less Nut - RB	670240412729
P6003-10-A-RB	3/4" x 10" Flush Tube/Vacuum Breaker less Nut - RB	670240412804
P6003-1-A-RB	3/4" x 13" Flush Tube/Vacuum Breaker less Nut - RB	670240412798
P6001-10-A-RB	1-1/4" x 10" Flush Tube/Vacuum Breaker less Nut - RB	670240413054
P6000-A-RB**	1-1/2" x 9" Flush Tube/Vacuum Breaker less Nut - RB	670240414082
P6000-1-A-RB**	1-1/2" x 13" Flush Tube/Vacuum Breaker less Nut - RB	670240414433
P6000-2-A-RB	1-1/2" x 21" Flush Tube/Vacuum Breaker less Nut - RB	670240414419
P6000-3-A-RB**	1-1/2" x 24" Flush Tube/Vacuum Breaker less Nut - RB	670240414228
P6000-17-A-RB**	1-1/2" x 17" Flush Tube/Vacuum Breaker less Nut - RB	670240433496
P6000-30-A-RB**	1-1/2" x 30" Flush Tube/Vacuum Breaker less Nut - RB	670240414266
P6000-18A-01.5	1-1/2" x 18" Flush Tube with 1-1/2" Offset	670240415584
P6000-22A-01.0**	1-1/2" x 22" Flush Tube with 1" Offset	670240414297
P6000-22A-01.5**	1-1/2" x 22" Flush Tube with 1-1/2" Offset	670240244535
P6000-24A-01.0	1-1/2" x 24" Flush Tube with 1" Offset	670240414327
P6000-24A-01.5	1-1/2" x 24" Flush Tube with 1-1/2" Offset	670240449657
P6000-24A-02.0	1-1/2" x 24" Flush Tube with 2" Offset	670240414334

B – Vacuum Breaker Repair Kits for AquaVantage® and Aquaflush®

PRODUCT NO.	DESCRIPTION	UPC
P6000-B-HP	High Pressure Vacuum Breaker Repair Kit	670240380097
P6003-B-HP	High Pressure Vacuum Breaker Repair Kit (For Urinals)	889934080131

C, D – Control Stop Kits for AquaVantage® and Aquaflush®

PRODUCT NO.	DESCRIPTION	UPC
P6000-C-SD-CP	1" SD Stop - CP	670240414075
P6000AV-C-SD-CP	1" SD Stop - CP with Vandal-Resistant Cover (AV)	670240585119
P6003AV-C-SD-CP	3/4" SD Stop - CP with Vandal-Resistant Cover (AV)	670240546097
P6000-C-WH-CP	1" WH Stop - CP	670240418288
P6000-C-WH-RB	1" WH Stop - RB	670240414013
P6003-C-SD-CP	3/4" SD Stop - CP	670240412736
P6003-C-WH-CP	3/4" WH Stop - CP	670240417137
P6003-C-WH-RB	3/4" WH Stop - RB	670240412743
P6000-C30	Snap Ring/Lock Ring	670240410411
P6000-C31	O-Ring for Tailpiece	670240414020
P6000-C32-CP	Stop Nut/Coupling - CP	670240414037
P6000-C32-RB	Stop Nut/Coupling - RB	670240426337
P6000-C32-G-CP	Stop Nut/Coupling GJ - CP	670240418240
P6000-C32-G-RB	Stop Nut/Coupling GJ - RB	670240418257
P6000-C34-CP	Stop Cap/Bonnet - CP	670240414068
P6000-C34-RB	Stop Cap/Bonnet - RB	670240390720
P6000-D35	Adjusting Screw	670240413993
P6000-C33-WH	Wheel Handle with Handle Screw	670240414051
P6000-D-SD	SD Stop Valve Repair Kit - 1"	670240576322
P6000-D-WH	WH Stop Valve Repair Kit - 1"	670240413986
P6003-D-SD	SD Stop Valve Repair Kit - 3/4"	670240576575
P6003-D-WH	WH Stop Valve Repair Kit - 3/4"	670240412774
P6000-D42	Seal/Plug Seat for 1" and 3/4"	670240413887
PS6003-C33	3/4" Cap CP - H582 - Royal	670240415171
PS6003-D	3/4" Stop Valve Repair Kit - H543AA - Royal	670240415188
P6000-VC	Vandal-Resistant Control Stop Cover - 1" and 3/4" Zurn	670240413191
P6000-VC-W-VP	Vandal-Resistant Control Stop Cover Wrench	670240538443
P6000-VC-SS	Setscrew for VC Cover	670240452428

E – Internal Kits and Assemblies

PRODUCT NO.	DESCRIPTION	UPC
AquaVantage® Diaphragm Kits		
NOTE: Standard Packaging – Items are boxed. For Plastic Clam Shell Packaging Order Suffix -CS (Ex: P6000-ECA-WS1-CS or P6000-ECA-WS1-RK-CS). Rebuild Kit Contains: Valve Repair Kit, Handle Repair Kit, Vacuum Breaker Repair Kit and Tailpiece O-Ring.		
P6000-ECA-HET	Closet Repair Kit Chemical and Clog Resistant Filter - 1.28 gal.	670240364400
P6000-ECA-ONE	Closet Repair Kit Chemical and Clog Resistant Filter - 1.1 gal.	889934109818
P6000-ECA-WS	Closet Repair Kit Chemical and Clog Resistant Filter - 3.5 gal.	670240507999
P6000-ECA-WS1	Closet Repair Kit Chemical and Clog Resistant Filter - 1.6 gal.	670240507852
P6000-EUA-ULF	Urinal Repair Kit Chemical and Clog Resistant Filter - 0.125 gal.	670240384835
P6000-EUA-WS	Urinal Repair Kit Chemical and Clog Resistant Filter - 1.5 gal.	670240522169
P6000-EUA-WS1	Urinal Repair Kit Chemical and Clog Resistant Filter - 1.0 gal.	670240507876
P6000-EUA-EWS	Urinal Repair Kit Chemical and Clog Resistant Filter - .5 gal.	670240585911
AquaVantage® Flush Valve Advantage Rebuild Kits		
NOTE: Standard Packaging – Items are boxed. For Plastic Clam Shell Packaging Order Suffix -CS (Ex: P6000-ECA-WS1-CS or P6000-ECA-WS1-RK-CS). Rebuild Kit Contains: Valve Repair Kit, Handle Repair Kit, Vacuum Breaker Repair Kit and Tailpiece O-Ring.		
P6000-ECA-HET-RK	Closet Rebuild Kit - 1.28 gal.	670240386914
P6000-ECA-WS-RK	Closet Rebuild Kit - 3.5 gal.	670240533097
P6000-ECA-WS1-RK	Closet Rebuild Kit - 1.6 gal.	670240531390
P6000-EUA-ULF-RK	Urinal Rebuild Kit - 0.125 gal.	670240685116
P6000-EUA-WS-RK	Urinal Rebuild Kit - 1.5 gal.	670240533103
P6000-EUA-WS1-RK	Urinal Rebuild Kit - 1.0 gal.	670240533110
P6000-EUA-EWS-RK	Urinal Rebuild Kit - .5 gal.	670240596740
Aquaflush® Diaphragm Kits		
P6000-ECR-ONE	Closet Repair Kit - 1.1 gal.	-
P6000-ECR-WS	Closet Repair Kit - 3.5 gal.	670240552081
P6000-ECR-WS1	Closet Repair Kit - 1.6 gal.	670240552098
P6000-EUR-WS	Urinal Repair Kit - 1.5 gal.	670240552104
P6000-EUR-WS1	Urinal Repair Kit - 1.0 gal.	670240552111
P6000-EUR-EWS	Urinal Repair Kit - .5 gal.	670240564824
Aquaflush® Flush Valve Rebuild Kits		
NOTE: Standard Packaging – Items are boxed. For Plastic Clam Shell Packaging Order Suffix -CS (Ex: P6000-ECA-WS1-CS or P6000-ECA-WS1-RK-CS). Rebuild Kit Contains: Valve Repair Kit, Handle Repair Kit, Vacuum Breaker Repair Kit and Tailpiece O-Ring.		
P6000-ECR-WS-RK	Rebuild Kit for 3.5 gal. Closet/Urinal	670240554320
P6000-ECR-WS1-RK	Rebuild Kit for 1.6 gal. Closet	670240553880
P6000-ECR-PWS-RK	Rebuild Kit for 2.4 gal. Closet	670240596979
P6000-EUR-WS-RK	Rebuild Kit for 1.5 gal. Urinal	670240553804
P6000-EUR-WS1-RK	Rebuild Kit for 1.0 gal. Urinal	670240552623
P6000-EUR-EWS-RK	Rebuild Kit for .5 gal. Urinal	670240596986
Aquaflush® Flush Valve Rebuild Kits*		
NOTE: Standard Packaging – Items are boxed. For Plastic Clam Shell Packaging Order Suffix -CS (Ex: P6000-ECA-WS1-CS or P6000-ECA-WS1-RK-CS). Rebuild Kit Contains: Valve Repair Kit, Handle Repair Kit, Vacuum Breaker Repair Kit and Tailpiece O-Ring.		
P6000-EC13	Trip Mechanism/Relief Valve for Closet	670240576391
P6000-EU13	Trip Mechanism/Relief Valve for Urinal	670240576476
P6000-E14	Molded Disc	670240576339
P6000-EG	Guide Assembly - Old Style with Reversible Flow Ring (For Black Segmented Diaphragm)	670240576421
P6000-EG-WS1	Low Consumption Guide Assembly - LC - 1.6 gal. - Old Style	670240576438
P6000-EGU-WS1	Low Consumption Guide Assembly - 1.0 gal. Urinal - Old Style	670240416130
P6000-EGR	Guide Assembly with 3 Flow Rings for Aquaflush Chemical Resistant Diaphragm	670240596993
P6000-EUR-FP	Foot Pedal Repair Kit - Urinal	670240597006
P6000-ECR-FP	Foot Pedal Repair Kit - Closet	670240554009
P6000-EER	Diaphragm Repair Kit	670240553798
P6000-ER15	Aquaflush Diaphragm - Chemical Resistant (Light Blue)	670240552128

PRODUCT NO.	DESCRIPTION	UPC
Aquaflush® Flush Valve Rebuild Kits* (CONTINUED)		
P6000-E16	Reversible Flow Ring - Old Style for Black Segmented Diaphragm	670240413917
P6000-E16-WS1	Flow Ring for Closet 1.6 gal. - Old Style for Black Segmented Diaphragm	670240450370
P6000-E16-LP	Flow Ring for Closet 6.0 gal. - Old Style for Black Segmented Diaphragm	670240450837
P6017-ECR	Repair Kit - 6.0 gal	670240554092
P6000-KWIK-TURN	Tool for Disassembling Internal Kits	670240622067

G, H – Wall Flanges, Spud Connections, and Couplings for AquaVantage® and Aquaflush®

PRODUCT NO.	DESCRIPTION	UPC
P6003-G	3/4" Wall Flange	670240412712
P6000-G	1" Wall Flange	670240413702
P6001-G-TUBE	1-1/4" Tube Flange	670240412965
P6000-G-TUBE	1-1/2" Tube Flange	670240413719
P6003-H	3/4" Spud Escutcheon and Coupling Assembly	670240412651
P6001-H	1-1/4" Spud Escutcheon and Coupling Assembly	670240412972
P6000-H	1-1/2" Spud Escutcheon and Coupling Assembly	670240413658
P6003-H26	3/4" Fiber Washer	670240412682
P6001-H26	1-1/4" Fiber Washer	670240412866
P6000-H26	1-1/2" Fiber Washer	670240413603
P6003-H27	3/4" Spud Rubber Gasket	670240412699
P6001-H27	1-1/4" Spud Rubber Gasket	670240412873
P6000-H27	1-1/2" Spud Rubber Gasket	670240413610
P6003-H28	3/4" Spud Escutcheon	670240412705
P6001-H28	1-1/4" Spud Escutcheon	670240412880
P6000-H28	1-1/2" Spud Escutcheon	670240413627
P6003-HN-CP	3/4" Spud/Coupling Nut and Gaskets - CP	670240412644
P6001-HN-CP	1-1/4" Spud/Coupling Nut and Gaskets - CP	670240412897
P6000-HN-CP	1-1/2" Spud/Coupling Nut and Gaskets - CP	670240413634
P6003-HN-RB	3/4" Spud/Coupling Nut and Gaskets - RB	670240412583
P6001-HN-RB	1-1/4" Spud/Coupling Nut and Gaskets - RB	670240412903
P6000-HN-RB	1-1/2" Spud/Coupling Nut and Gaskets - RB	670240413641
P6000-HNS-CP	1-1/2" Coupling Nut and P30 Flat Gasket - CP	670240413580
P6000-HNS-RB	1-1/2" Coupling Nut and P30 Flat Gasket - RB	670240413528

J, K – Tailpiece Extensions and Coupling Nut Assemblies for AquaVantage® and Aquaflush®

PRODUCT NO.	DESCRIPTION	UPC
P6000-J1	Tailpiece Assembly 2-1/8" to Rough-in – 4-1/4" - 5-1/4"	670240413535
P6000-J6	Tailpiece Assembly 5-1/4" to Rough-in – 7-1/4" - 8-1/4"	670240413481
P6000-J7	Tailpiece Assembly 5-7/8" to Rough-in – 8" - 8-3/4"	670240413498
P6000-J10	Ground Joint Control Stop Adapter	670240413542
P6000-J11	Tailpiece Adapter Rough-in – 6" - 7-3/4"	670240413559
P6000-C30	Snap Ring/Lock Ring	670240410411
P6000-C31	O-Ring for Tailpiece	670240414020
P6000-C32-CP	Stop Nut/Coupling - CP	670240414037
P6000-C32-RB	Stop Nut/Coupling - RB	670240426337
P6000-C32-G-CP	Stop Nut/Coupling GJ - CP	670240418240
P6000-C32-G-RB	Stop Nut/Coupling GJ - RB	670240418257
P6000-FA	AquaVantage®, AquaFlush®, and Metroflush® Tailpiece Filter	670240487321

L, M – Valve Caps and Handle Parts for AquaVantage® and Aquaflush® Exposed Flush Valves

PRODUCT NO.	DESCRIPTION	UPC
P6000-L	Inside Plastic Cover	670240576483
P6000-LL-CP	Outside Brass Cover - CP	670240413375
P6000-LL-RB	Outside Brass Cover - RB	670240413382
P6000-LLS	Chrome-Plated Outside Brass Replacement Cover Compatible with Sloan Royal® and Regal®† Flush Valves	670240587205
P6000-M-ADA	Handle Assembly for Exposed Valve (ADA Compliant)	670240576506
P6000-M-ADA-BG-DF	BioCare Dual Flush Handle Assembly	670240393141
P6000-M-AV-ADA	Handle Assembly AV for Exposed Valve	670240397408
P6000-M-ADA-DF	Dual Flush Handle Assembly	670240646988
P6000-M-ADA-BG	BioCare Handle Assembly (ADA Compliant)	670240460508
P6000-MH	Handle Assembly for Exposed Valve (Front)	670240415713
P6000-ML	Small Push Button Assembly for Exposed Valve	670240415751
P6000-ML3	3" Push Button Assembly for Exposed Valve	670240415768
P6000-MYW	Foot Pedal Assembly for Exposed Valve	670240415805
P6000-M1-CP	Handle Nut/Coupling - CP	670240413429
P6000-M1-RB	Handle Nut/Coupling - RB	670240415706
P6000-M4	Handle (Grip Only)	670240413290
P6000-M4-ADA	Handle ADA Compliant (Grip Only)	670240413306
P6000-M4-BG	BioCare Handle (ADA Compliant)	670240413313
P6000-ML4	Small Push Button	670240415782
P6000-ML3-4	3" Push Button Replacement Kit	670240415775
P6000-MYW4	Foot Pedal	670240418189
P6000-M9	Seal	670240576513
P6000-M10	Handle Gasket	670240413436
P6000-MK	Handle Repair Kit for Exposed Valve (Side) - Zurn No Leak	670240576520
P6000-MHK	Handle Repair Kit for Exposed Valve (Front) - Zurn No Leak	670240415720

METRO – Metroflush® Flush Valve Parts

PRODUCT NO.	DESCRIPTION	UPC
P6200-EC-WS	Metroflush Repair Kit - Closet 3.5 gal.	670240420922
P6200-EC-WS1	Metroflush Repair Kit - Closet 1.6 gal.	670240453319
P6200-EC-HET	Metroflush Repair Kit - Closet 1.28 gal.	670240383340
P6200-EU-WS	Metroflush Repair Kit - Urinal 1.5 gal.	670240520325
P6200-EU-WS1	Metroflush Repair Kit - Urinal 1.0 gal.	670240536876
P6203-EU-EWS	Metroflush Repair kit - Urinal 0.5 gal.	670240382411
P6200-LL-CG	Cover Gasket Z6200 Series	670240574717
P6200-LL-CP	Outside Brass Cover - CP	670240574700
P6000-M-ADA	Handle Assembly - ADA	670240576506
P6000-M10	Handle Gasket	670240413436
P6000-MK	Handle Repair Kit	670240576520
P6200-MS	Main Seat for Metro Valve	670240451025

†Sloan® is a registered trademark of Sloan Valve Company. Sloan and the Sloan products listed are not associated with Zurn or Zurn's products. The brands and product names listed may be subject to the trademark rights of their respective owners. Use of the brands and names is for identification purposes only and does not imply affiliation with or endorsement by Zurn.

For additional product information, please visit www.zurn.com.

When ordering parts, always list product number and description.

N – Concealed Valve Actuator Assemblies and Repair Parts for AquaVantage® and Aquaflush®

PRODUCT NO.	DESCRIPTION	UPC
Handle Assemblies for Concealed Valves		
NOTE: For access panel application, use -AP suffix		
P6000-N-3.75L	Handle Assembly - 3-3/4" 'L' Dim.	670240418134
P6000-N-4.75L	Handle Assembly - 4-3/4" 'L' Dim.	670240418141
P6000-N-5.75L	Handle Assembly - 5-3/4" 'L' Dim.	670240418158
P6000-N-6.75L	Handle Assembly - 6-3/4" 'L' Dim.	670240418165
P6000-N-7.75L	Handle Assembly - 7-3/4" 'L' Dim.	670240418103
P6000-N-8.75L	Handle Assembly - 8-3/4" 'L' Dim.	670240418042
P6000-N-9.75L	Handle Assembly - 9-3/4" 'L' Dim.	670240418059
P6000-N-10.75L	Handle Assembly - 10-3/4" 'L' Dim.	670240418196
P6000-N-11.75L	Handle Assembly - 11-3/4" 'L' Dim.	670240418202
P6000-N-12.75L	Handle Assembly - 12-3/4" 'L' Dim.	670240418172
P6000-N-13.75L	Handle Assembly - 13-3/4" 'L' Dim.	670240392861
P6000-N-14.75L	Handle Assembly - 14-3/4" 'L' Dim.	670240395756
Small Push Button Assemblies for Concealed Valves		
NOTE: For access panel application, use -AP suffix		
P6000-NL-3.75L	Small Push Button Assembly - 3-3/4" 'L' Dim.	670240413283
P6000-NL-4.75L	Small Push Button Assembly - 4-3/4" 'L' Dim.	670240417731
P6000-NL-5.75L	Small Push Button Assembly - 5-3/4" 'L' Dim.	670240417748
P6000-NL-6.75L	Small Push Button Assembly - 6-3/4" 'L' Dim.	670240417755
P6000-NL-7.75L	Small Push Button Assembly - 7-3/4" 'L' Dim.	670240417762
P6000-NL-8.75L	Small Push Button Assembly - 8-3/4" 'L' Dim.	670240417779
P6000-NL-9.75L	Small Push Button Assembly - 9-3/4" 'L' Dim.	670240417663
P6000-NL-10.75L	Small Push Button Assembly - 10-3/4" 'L' Dim.	670240416505
P6000-NL-11.75L	Small Push Button Assembly - 11-3/4" 'L' Dim.	670240417809
P6000-NL-12.75L	Small Push Button Assembly - 12-3/4" 'L' Dim.	670240417816
P6000-NL-13.75L	Small Push Button Assembly - 13-3/4" 'L' Dim.	670240417823
P6000-NL-14.75L	Small Push Button Assembly - 14-3/4" 'L' Dim.	670240417724
Large Push Button Assemblies for Concealed Valves		
NOTE: For access panel application, use -AP suffix		
P6000-NL3-3.75L	3" Push Button Assembly - 3-3/4" 'L' Dim.	670240417670
P6000-NL3-4.75L	3" Push Button Assembly - 4-3/4" 'L' Dim.	670240417687
P6000-NL3-5.75L	3" Push Button Assembly - 5-3/4" 'L' Dim.	670240417694
P6000-NL3-6.75L	3" Push Button Assembly - 6-3/4" 'L' Dim.	670240413214
P6000-NL3-7.75L	3" Push Button Assembly - 7-3/4" 'L' Dim.	670240417700
P6000-NL3-8.75L	3" Push Button Assembly - 8-3/4" 'L' Dim.	670240417717
P6000-NL3-9.75L	3" Push Button Assembly - 9-3/4" 'L' Dim.	670240417595
P6000-NL3-10.75L	3" Push Button Assembly - 10-3/4" 'L' Dim.	670240450349
P6000-NL3-11.75L	3" Push Button Assembly - 11-3/4" 'L' Dim.	670240462038
P6000-NL3-12.75L	3" Push Button Assembly - 12-3/4" 'L' Dim.	670240541351
P6000-NL3-13.75L	3" Push Button Assembly - 13-3/4" 'L' Dim.	670240596757
P6000-NL3-14.75L	3" Push Button Assembly - 14-3/4" 'L' Dim.	670240571532
Foot Pedal Assemblies for Concealed Valves		
P6000-NYW-3.75L	Pedal Assembly - 3-3/4" 'L' Dim.	670240417656
P6000-NYW-4.75L	Pedal Assembly - 4-3/4" 'L' Dim.	670240417526
P6000-NYW-5.75L	Pedal Assembly - 5-3/4" 'L' Dim.	670240417533
P6000-NYW-6.75L	Pedal Assembly - 6-3/4" 'L' Dim.	670240417540
P6000-NYW-7.75L	Pedal Assembly - 7-3/4" 'L' Dim.	670240417557
P6000-NYW-8.75L	Pedal Assembly - 8-3/4" 'L' Dim.	670240417564
P6000-NYW-9.75L	Pedal Assembly - 9-3/4" 'L' Dim.	670240417571
P6000-NYW-10.75L	Pedal Assembly - 10-3/4" 'L' Dim.	670240417601
P6000-NYW-11.75L	Pedal Assembly - 11-3/4" 'L' Dim.	670240417618

When ordering parts, always list product number and description.

For additional product information, please visit www.zurn.com.

PRODUCT NO.	DESCRIPTION	UPC
Foot Pedal Assemblies for Concealed Valves (CONTINUED)		
P6000-NYW-12.75L	Pedal Assembly - 12-3/4" 'L' Dim.	670240417625
P6000-NYW-13.75L	Pedal Assembly - 13-3/4" 'L' Dim.	670240417632
P6000-NYW-14.75L	Pedal Assembly - 14-3/4" 'L' Dim.	670240417649
Miscellaneous Actuator Repair Parts		
P6000-N1	Wall Flange	670240418066
P6000-N1B	Wall Flange for Access Panel	670240418073
P6000-N1B-W	Wrench for Wall Flange for Access Panel	670240459519
P6000-N3	Adjusting Nut (Flat)	670240417922
P6000-N3B	Adjusting Nut (Bell Escutcheon)	670240509290
P6000-M10	Handle Gasket	670240413436
P6000-M9	Seal	670240576513
P6000-M1-RB	Handle Nut/Coupling - RB	670240415706
P6000-M4	Handle	670240413290
P6000-NK	Repair Kit for Concealed Valve and Concealed Foot Pedal Valve	670240415812
P6000-ML4	Small Push Button - CP	670240415782
P6000-ML3-4	3" Push Button Replacement Kit	670240415775
P6000-MYW4	Foot Pedal	670240418189
P6000-NYW2	Screw - CP	670240461154
P6000-NYW3	Flange with Setscrew	670240597020
P6000-C36-RB	Handle Nut Solid with Gasket for Concealed Valves - RB	670240529809

P – Diverter Parts for Bedpan Washers

PRODUCT NO.	DESCRIPTION	UPC
P6000-P3	Spray Disc (Included in Diverter Repair Kit)	670240413245
P6000-P4	Spray Disc Screw (Included in Diverter Repair Kit)	670240413252
P6000-P8	Wall Flange with Setscrew	670240415829
P6000-P8-1	Support Rod - 5-3/4"	670240430143
P6000-P8-3	Offset Support Rod	670240643536
P6000-P15	Bottom Tube	670240420700
P6000-P15-LO	Bottom Tube for Lower Offset	670240429161
P6000-PN18	Spray Arm Assembly, 12"	670240610750
P6000-PN19	Spray Arm Repair Kit (Includes O-Ring, Spray Disc, Screen, and Screw)	670240609044
P6000-PN20	Elbow Assembly	670240618268
P6000-PN21	Diverter Body	670240612754
P6000-PN22	Bedpan Diverter Rebuild Kit (Includes P6000-PN19 and P6000-PN20)	670240607835

Q – Miscellaneous Flush Connections and Elbows for AquaVantage® and Aquaflush® Concealed Valves

PRODUCT NO.	DESCRIPTION	UPC
Flush Connections and Elbows		
P6000-QT1-4-CP	1-1/2" x 4" Flanged Tube - CP	670240417281
P6000-QT1-6-CP	1-1/2" x 6" Flanged Tube - CP	670240417304
P6000-QT1-8-CP	1-1/2" x 8" Flanged Tube - CP	670240417328
P6000-QT1-10-CP	1-1/2" x 10" Flanged Tube - CP	670240417342
P6000-QT1-12-CP	1-1/2" x 12" Flanged Tube - CP	670240417366
P6000-QT1-16-CP	1-1/2" x 16" Flanged Tube - CP	670240413177
P6000-QT1-18-CP	1-1/2" x 18" Flanged Tube - CP	670240417397
P6000-QT3-4-RB	1-1/2" x 4" Flanged/Scored Tube - RB	670240417243
P6000-QT3-6-RB	1-1/2" x 6" Flanged/Scored Tube - RB	670240417250
P6000-QT3-8-RB	1-1/2" x 8" Flanged/Scored Tube - RB	670240417267
P6000-QT3-10-RB	1-1/2" x 10" Flanged/Scored Tube - RB	670240417205
P6000-QT3-12-RB	1-1/2" x 12" Flanged/Scored Tube - RB	670240417212
P6000-QT3-16-RB	1-1/2" x 16" Flanged/Scored Tube - RB	670240417229
P6000-QT3-18-RB	1-1/2" x 18" Flanged/Scored Tube - RB	670240417236
P6000-QT4	P30 Flat Gasket	670240417182
P6000-QE1-CP	1" Street Elbow - CP	670240417472
P6000-QE2-CP	1" Female x 1" Female Elbow - CP	670240417489
P6000-QE3-CP	1-1/2" Male x 1-1/2" Male Elbow with Nut and Gaskets - CP	670240413160
P6000-QE3-RB	1-1/2" Male x 1-1/2" Male Elbow with Nut and Gaskets - RB	670240417496
P6000-QE6-RB	3/4" x 3/4" Solder Elbow	670240499409
Flush Assemblies		
P6000-QFC-1	Z6140 1-1/2" Back Spud Flush Assembly (Specify 'L' Dim.)	-
P6000-QFC-2	Z6142 1-1/2" Top Spud Flush Assembly (Specify 'L' Dim.)	-
P6000-QFC-3	Z6143 1-1/2" Back Spud Flush Assembly (Specify 'L' Dim.)	-
P6000-QFC-4	Z6144 1-1/2" Back Spud Flush Assembly (Specify 'L' Dim.)	-
P6000-QFC-5	Z6150, ZH6150 Flush Assembly	670240417458
P6000-QFC-6	Z6152, Z6605, Z6611 1-1/2" Back Spud Flush Assembly (Specify 'L' Dim.)	-
P6000-QFC-7	Z6154 1-1/2" Back Spud Flush Assembly (Specify 'L' Dim.)	-
P6000-QFC-8	Z6155 1-1/2" Top Spud Flush Assembly (Specify 'L' Dim.)	670240419469
P6000-QFC-10	Z6195, Z6613, Z6615, ZH6195 3/4" Back Spud Flush Assembly (Specify 'L' Dim.)	670240448094
P6000-QFC-11	ZH6140 1-1/2" Back Spud Flush Assembly (Specify 'L' Dim.)	-
P6000-QFC-12	ZH6142 1-1/2" Top Spud Flush Assembly (Specify 'L' Dim.)	670240536722
P6000-QFC-13	Z6603, Z6616, ZH6152 1-1/2" Back Spud Flush Assembly (Specify 'L' Dim.)	670240420892
P6000-QFC-14	Z6601 1-1/2" Back Spud Flush Assembly (Specify 'L' Dim.)	-
P6000-QFC-15	Z6602, Z6609 1-1/2" Back Spud Flush Assembly (Specify 'L' Dim.)	-
P6000-QFC-16	Z6681 1-1/2" Back Spud Flush Assembly (Specify 'L' Dim.)	-
P6000-QFC-17	Z6096 - 39" Rough-in - Eastern Style Water Closet - 1-1/4" Flush Assembly	670240417434
P6000-QFC-19	Z6197-N 3/4" Top Spud Flush Assembly (Specify 'L' Dim.)	670240448476
P6000-QFC-21	Z6099 Flush Assembly	670240427853
P6000-QFC-20	Top Flush Assembly for Z6320AV	670240420045
P6000-QFC-22	Top Flush Assembly for Z6300AV and Z6310AV	670240517110
P6000-QFC-23	Bottom Flush Assembly for Z6300AV, Z6310AV, Z6320AV	670240538092
P6000-QFC-24	Flush Assembly for Z6000 Valves 1-1/2" Top Spud Connection	084169002815
P6000-QFC-27	Flush Connection for Z6010 Valves	670240619340
P6000-QFC-28	Water Inlet Connection for Z6010	670240638396
P6003-QFC-25	Flush Assembly for Z6003 Valves 3/4" Top Spud Connection	670240554139

When ordering parts, always list product number and description.

For additional product information, please visit www.zurn.com.

TPO – Trap Primer Parts for AquaVantage® and Aquaflush® Valves

Full Trap Primer Assemblies can be found in the Flush Valve Products section of this price guide.

PRODUCT NO.	DESCRIPTION	UPC
P6000-R1	Elbow Insert for Trap Primer (for -WS1 Valves)	670240431539
P6000-TPF	Trap Primer Fittings (for Exposed Valves)	670240448407

Y – Miscellaneous Valve Parts and Accessories

PRODUCT NO.	DESCRIPTION	UPC
P6000-YB	1" Sweat Solder Kit - Cover Tube and Adapter - Exposed Flush Valve	670240413139
P6003-YB	3/4" Sweat Solder Kit - Cover Tube and Adapter - Exposed Flush Valve	670240412606
P6000-YBYC	1" Sweat Solder Kit with Cast Wall Flange	670240415959
P6003-YBYC	3/4" Sweat Solder Kit with Cast Wall Flange	670240415966
P6000-YBA	1" Sweat Solder Kit - Concealed Flush Valve	670240450424
P6003-YBA	3/4" Sweat Solder Kit - Concealed Valve	670240419452
P6000-YC	1" Cast Wall Flange	670240413115
P6003-YC	3/4" Cast Wall Flange	670240412620
P6000-YJ	5" C to E Split Ring Pipe Support	670240413122
P6000-YJ8	8" C to E Split Ring Pipe Support	670240413061
P6000-YJ12	12" C to E Split Ring Pipe Support	670240417175
P6000-YK	5" C to E Solid Ring Pipe Support	670240413009
P6000-YK8	8" C to E Solid Ring Pipe Support	670240413016
P6000-YK12	12" C to E Solid Ring Pipe Support	670240417144
P6000-YB-CVR	1" Cover Tube for Sweat Solder Kit (3" Long)	670240413078
P6000-YB-CVR7	1" Cover Tube for Sweat Solder Kit (7" Long)	670240413092
P6000-YB-CVR36	1" Cover Tube for Sweat Solder Kit (36" Long)	670240413085
P6003-YB-CVR	3/4" Cover Tube for Sweat Solder Kit (3" Long)	670240417090
P6003-YB-CVR7	3/4" Cover Tube for Sweat Solder Kit (7" Long)	670240412613
P6003-YB-CVR36	3/4" Cover Tube for Sweat Solder Kit (36" Long)	670240433229
P6000-19	Valve Body Only - CP	670240449077
P6000-19-RB	Valve Body Only - RB	670240502215
P6000-19-J1	Valve Body with -J1 Tailpiece - CP	670240459694
P6000-YE	Cover Tube and Adapter for -YB Kit - 1"	670240417151
P6003-YE	Cover Tube and Adapter for -YB Kit - 3/4"	670240441163
P6199-SC-1	1" Long VP Screw and Escutcheon for Access Panel	670240433519
P6199-SC-2	2" Long VP Screw and Escutcheon for Access Panel	670240504684
P6199-VPW	Wrench for Z6199 Access Panel Screws	670240425637

ZH – Hydraulic Series Flush Valve Repair Kits and Parts for AquaVantage® and Aquaflush® Valves

PRODUCT NO.	DESCRIPTION	UPC
Push Button Assemblies		
PH6000-HYA-FW	Hydraulic Actuator Assembly - Fixture Wall	670240419049
PH6000-HYA-SW	Hydraulic Actuator Assembly - Side Wall	670240419056
PH6000-HYL-MB	Hydraulic Metal Push Button Assembly	670240414815
PH6000-HYL3-FW	Hydraulic Large Push Button Assembly - Fixture Wall	670240414822
PH6000-HYLP-MBP	Hydraulic Metal Push Button for Penal Use	670240419063
PH6000-SHYL3-SW	Hydraulic Large Push Button Assembly - Side Wall	670240419087
Repair Parts		
PH6000-HY9	Mounting Plate	670240419032
PH6000-HY8	Securing Nut	670240419025
PH6000-HY6	Escutcheon for Small Push Button	670240419001
PH6000-HY7	Escutcheon for Large Push Button	670240419018
PH6000-HY10	Spring for Small Push Button	670240418844
PH6000-HY17	Spring for Large Push Button	670240418882
PH6000-HY11	Spacer for Large Push Button	670240414730
PH6000-HY12	Small Push Button	670240418851
PH6000-HY15	Large Push Button	670240418868
PH6000-HY1	1/8" Compression Fitting for Actuator Body (2 Req'd.) - Fixture Wall	670240414723
PH6000-HY32	1/8" 90° Compression Fitting for Actuator Body - Side Wall	670240418974
PH6000-HY2	1/16" Compression Fitting for Flush Valve Body	670240414754
PH6000-HYA11	Repair Kit for Hydraulic Actuator	670240414808
PH6000-HYM	Hydraulic Plunger Assembly	670240414839
PH6000-HYM11	Repair Kit for Hydraulic Plunger Assembly	670240419070
PH6000-HY18	Handle Assembly Gasket (2 Req'd.)	670240418899
PH6000-HY19	Chrome Cover Plate - For Supply and Return - CP	670240414747
PH6000-HY20	Supply Cover Tube - CP 3-3/8" Long	670240418905
PH6000-HY20L	Supply Cover Tube for Floor Mounted Closet - CP 4-5/8" Long	670240454118
PH6000-HY21	Return Cover Tube - CP 2-3/4" Long	670240418912
PH6000-HY21L	Return Cover Tube for Floor Mounted Closet - CP 4" Long	670240454101
PH6000-HY22	Supply Cover Tube Ring with Setscrew	670240416468
PH6000-HY23	Return Cover Tube Ring with Setscrew	670240416451
PH6000-HY24	Setscrew for Rings	670240418929
PH6000-HY25	1/4" Black Supply Tube 36" Long	670240414761
PH6000-HY26	1/4" Clear Return Tube 36" Long	670240414778
PH6000-HY29	Support Plate	670240418950
PH6000-HY28	Nut (2 Req'd.) - Included in PH6000-HY29A	670240418943
PH6000-HY35	Vandal-Resistant Hex Socket Head Screw for Cover Plate - 1/2"	670240414792
PH6000-HY36	Ferrule for 1/8" Compression Fitting	670240456280
PH6000-HY37	Ferrule for 1/16" Compression Fitting	670240456631

FLUSH VALVES

FAUCETS

TEMP-GARD®

TUBULAR BRASS

FIXTURES

AQUAPARTS® REPAIR PARTS
AND ASSEMBLIES

ZEMS – AquaSense® ZEMS Electronic Sensor Replacement Parts

PRODUCT NO.	DESCRIPTION	UPC
PEMS6000-26	Sensor for Closet ZEMS	670240515246
PEMS6000-26A	Sensor for Urinal ZEMS	670240526716
PEMS6000-CON-KIT	Conversion Kit For ZEMS - Concealed Valves	670240526747
PEMS6000-HYM	Actuator Assembly for ZEMS Valves - Concealed	670240511583
PEMS6000-HYM-IS	Actuator Assembly for ZEMS Valves - Exposed	670240601673
PEMS6000-HYM-IS-FM12	Actuator Assembly for 12" rough in	670240605176
PEMS6000-FM12	Extended Cable and Rod for 12" Floor Mount Rough-In	670240528192
PEMS6000-G	Wall Flange	670240587274
PEMS6000-G-SS	Wall Flange Setscrew	670240641112
PH6000-HY35	Vandal-Resistant Hex Socket Head Screw for Cover Plate - 1/2"	670240414792
PESS6000-22	Closet Sensor Cover Plate with Override Hole 4 x 4	670240412415
PESS6000-22A	Urinal Sensor Cover Plate 2 x 4	670240412354
PESS6000-22B	Closet Sensor Cover Plate without Override Hole 4 x 4	670240452411
PESS6000-22C	Closet Sensor Cover Plate - Solid - No Holes - 4 x 4	670240462137
PESS6000-22D	Urinal Sensor Cover Plate - Solid - No Holes - 2 x 4	670240523685
PESS6000-23	Closet Bracket	670240418769
PESS6000-25	Yoke	670240418776
PESS6000-27	Bracket Screws (Set of 2)	670240412309
PESS6000-28	Yoke Screws (Set of 2)	670240418783
P6000-PC6	6 VDC Power Converter	670240413153
P6000-HW6	Hardwire Power Converter for ZEMS Flush Valves	670240533608
PEMS6000-IS-CW	Connecting Wire for ZEMS-IS Assembly – 10' Long	670240609303
P6000-MJ	Mini Junction Box	670240419803

ZERK – AquaSense® E-Z Flush Battery Sensor Replacement Parts

PRODUCT NO.	DESCRIPTION	UPC
PERK6000-BD	Battery Drawer	670240534360
PERK6000-CWR	Handle Nut Wrench	670240478695
PERK6000-L-CPCR	Chrome Plastic Cover (New Style Round Lens)	670240586062
PERK6000-L-CPMCR	Chrome Metal Cover (New Style Round Lens)	670240596764
PERK6000-RK	Repair Kit (Includes: O-Ring, Courtesy Button Cap, Collar Gasket, Rod, Seal)	-
PERK6000-SCR	Replacement Sensor Lens (New Style Round Lens)	670240606630
PERK6000-W	Allen Wrench	670240534919
PERK6000-SR	Sensor Module (New Style Round Lens)	670240602359
PERK6000-BUTTON	Manual Override Replacement Button	670240576193
PERK6000-BUTTON-HARD	Hard Plastic Manual Override Button for EZ CPM	670240664609
PERK6000-MRK	Plunger Assembly Repair Kit	670240620438
PERK6000-W-TC	Hollow Hex Wrench for Pin Battery Screw	670240623910
PERK6000-MO	Motor Operator for Concealed E-Z Flush	670240649422

ZTR – EcoVantage® Battery Sensor Flush Valves – ZTR Series

PRODUCT NO.	DESCRIPTION	UPC
PTR6200-24	Manual Override Button Assembly	670240796690
PTR6200-EC	ZTR Piston Kit	670240796546
PTR6200-HSA	Valve Housing	670240793422
PTR6200-L-S	Cover Screw	670240796720
PTR6200-M	Solenoid Replacement Kit	670240796539
PTR6200-M-RING	Flange O-Ring	670240796706
PTR6200-M-S	Flange Screw	670240796713
PTR6200-L-1.28-VR	1.28 ZTR Vandal Proof Sensor Cap Assembly Replacement	889934121957
PTR6200-L-1.6-VR	1.6 ZTR Vandal Proof Sensor Cap Assembly Replacement	889934121964
PTR6200-L-1.1-VR	1.1 ZTR Vandal Proof Sensor Cap Assembly Replacement	889934121933
PTR6200-L-1.0-VR	1.0 ZTR Vandal Proof Sensor Cap Assembly Replacement	889934121919
PTR6200-L-0.5-VR	0.5 ZTR Vandal Proof Sensor Cap Assembly Replacement	889934121919
PTR6200-L-0.25-VR	0.25 ZTR Vandal Proof Sensor Cap Assembly Replacement	889934121896
PTR6200-L-0.125-VR	0.125 ZTR Vandal Proof Sensor Cap Assembly Replacement	889934121889
PTR6200-24	Manual Override Button Assembly	670240796690
PTR6200-BAT-LITH	Lithium Battery for ZTR Valves	670240846944
PTR6200-BATT	Sealed Battery Housing	889934001525
PTR6200-EC	Piston Kit	670240796546
PTR6200-FA	ZTR Closet 1.1/1.28/1.6 gpf Tailpiece Filter	889934068122
PTR6200-HSA	Valve Housing	670240793422
PTR6200-HW-L-0.25	ZTR-HW Sensor Cap Assembly (0.25 gpf)	670240046610
PTR6200-HW-TUBE	ZTR-HW Wire Supply Tube	889934066036
PTR6200-HW-TUBE-1	ZTR-HW 12" Rough In WH Tube 5.50"	889934101720
PTR6200-L-0.125	ZTR Replacement for 0.125 Valve	670240849990
PTR6200-L-0.25	ZTR Replacement for 0.25 Valve	889934122985
PTR6200-L-0.5	ZTR Replacement for 0.5 Valve	670240809215
PTR6200-L-1.0	ZTR Replacement for 1.0 Valve	670240809222
PTR6200-L-1.1	ZTR Sensor Cap Assembly (1.1 gpf)	670240045095
PTR6200-L-1.28	ZTR Replacement for 1.28 Valve	670240809123
PTR6200-L-1.6	ZTR Replacement for 1.6 Valve	670240809239
PTR6200-L-S	Cover Screw	670240796720
PTR6200-M	Solenoid Replacement KIT	670240796539
PTR6200-M-RING	Flange O-Ring	670240796706
PTR6200-M-S	Flange Screw	670240796713
PTR6203-EU	Piston Kit (0.5/1.0 gpf)	670240841154
PTR6203-EU-ULF	.125 gal Piston Kit	670240846739
PTR6203-FA	ZTR Urinal 1.0/0.5 gpf Tailpiece Filter	889934068115
PTR6203-FA-LF	ZTR Urinal 0.125/0.250 gpf Tailpiece Filter	889934068108

FLUSH VALVES

FAUCETS

TEMP-GARD®

TUBULAR BRASS

FIXTURES

AQUAPARTS® REPAIR PARTS
AND ASSEMBLIES

Z5795 Water Free Urinal Parts

PRODUCT NO.	DESCRIPTION	UPC
P5795-1	Strainer for Water Free Urinal	67024066207
P5795-2	Bell Trap for Water Free Urinal	670240664357
P5795-3	Bell Trap O-Ring for Water Free Urinal	670240664364
P5795-4	Ferrule for Water Free Urinal	084169005632
P5795-5	Ferrule Nut for Water Free Urinal	670240395541
P5795-6	Ferrule Nut and Ferrule for Water Free Urinal	670240780316
P5795-7	Flange Gasket for Water Free Urinal	670240395558
P5795-8	Flange for Water Free Urinal	670240395565
P5795-9	Flange and Gasket for Water Free Urinal	670240780323
P5795-10	Strainer Removal Tool for Water Free Urinal	670240391277
ZGS-128OZ	Gallon Bottle of AquaGreen Sealant for Z5795 Water Free Urinal	670240646926
ZGS-32OZ	Quart Bottle of AquaGreen Sealant for Z5795 Water Free Urinal	670240646919
ZGS-04OZ	4 oz. Bottle of AquaGreen Sealant for Z5795 Water Free Urinal	670240646902

ZBF – AquaSense® E-Z Sensor-Operated Faucets Replacement Parts

PRODUCT NO.	DESCRIPTION	UPC
Aerators for Z6913-XL and Z6915-XL		
P6900-21	Vandal-Resistant Aerator Wrench	670240417014
Slim Aerators for Z6913-XL and Z6915-XL Series		
P6900-20ES	1.5 gpm Slim Fit Vandal-Resistant Aerator	670240818750
P6900-20FS	0.5 gpm Slim Fit Vandal-Resistant Non-Aerated Spray Outlet	670240822481
P6900-20JS	1.5 gpm Slim Fit Vandal-Resistant Laminar Flow Outlet	670240822573
P6900-20LS	1.0 gpm Slim Fit Vandal-Resistant Flow Outlet	670240822580
P6900-20MS	0.35 gpm Slim Fit Vandal-Resistant Non-Aerated Spray Outlet	670240822603
P6900-20WR	Slim Aerator Wrench for P6900-SERIES	889934082494
Aerators for Z6920-XL and Z6922-XL		
P6900-20E-GN	1.5 gpm Standard Vandal-Resistant Aerator (Models Z6920-XL, Z6922-XL)	670240261389
P6900-20F-GN	0.5 gpm Vandal-Resistant Gooseneck Non-Aerated Flow Outlet (Models Z6920-XL and Z6922-XL)	670240609099
P6900-20-GN	0.5 gpm VANDAL RES. GN AER. F/(6902,6903-75, 6903-76, 6920M)	670240417052
P6900-20J-GN	1.5 gpm Vandal-Resistant Laminar Flow Gooseneck Outlet (Models Z6920-XL and Z6922-XL)	670240245273
P6900-20K-GN	1.0 gpm Vandal-Resistant Laminar Flow Gooseneck Outlet (Models Z6920-XL and Z6922-XL)	670240258860
P6900-20L-GN	1.0 gpm Vandal-Resistant Aerator (Models Z6920-XL and Z6922-XL)	670240442405
P6900-20M-GN	0.35 gpm Vandal-Resistant Non-Aerated Flow Outlet (Models Z6920-XL and Z6922-XL)	670240709058
P6900-20N-GN	0.5 gpm Laminar Flow Outlet (Models Z6920-XL)	-
P6900-21	Vandal-Resistant Aerator Wrench	670240417014
Aerators for Z6950-XL, Z6950-XL-IM, Z6951-XL and Z6955-XL		
P6930-20E	1.5 gpm Cache Style Pressure Compensating Aerator	670240809130
P6930-20F	0.5 gpm Cache Style Non-Aerated Spray Outlet	670240809147
P6930-20J	1.5 gpm Cache Style Laminar Flow Outlet	670240809154
P6930-20K	1.0 gpm Cache Style Laminar Flow Outlet	670240809178
P6930-20L	1.0 gpm Cache Style Aerated Spray Outlet	670240809185
P6930-20M	0.35 gpm Cache Style Non-Aerated Spray Outlet	670240809192
P6930-20N	0.5 gpm Cache Style Laminar Flow Outlet	670240834156

PRODUCT NO.	DESCRIPTION	UPC
Filters, Supply Hoses and Mixing Options for Sensor Faucets		
P6900-120BC	Composite Filter Assembly	670240847613
P6900-ADM-XL	Above Deck Mixing Valve	670240861817
P6900-ADM-1-H4-XL	Lead-Free Above Deck Mixing Valve with CP4 for Z6912,13,20 'H4 Handle	670240861848
P6900-ADM-1-XL	Lead-Free Above Deck Mixing Valve Mounted on a CP4 Plate	670240861824
P6900-ADM-2-H4-XL	Lead-Free Above Deck Mixing Valve with CP8 for Z6912,13,20 'H4 Handle	670240861930
P6900-ADM-2-XL	Lead-Free Above Deck Mixing Valve with CP8 for Z6912, Z6913, Z6920	670240861831
P6900-ADM-H4-XL	Lead-Free Above Deck Mixing Valve for Z6912,13,20 'H4 Handle	670240861947
P6900-MV-XL	Lead-Free Mixing Valve with Filter	670240387010
P6900-MV-4	Backcheck	670240456747
P6900-MV-5	Ferrule	670240556591
P6900-MV-6	Nut	670240533653
P6900-MV-7	Filter Screen	670240539075
P6900-MV-8	Filter Cap Gasket	670240600041
P6900-MVF-8	Filter Cap O-Ring	670240456754
P6900-MV-9	Filter Cap	670240600058
P6900-MV-ADAP	Mixing Adapter Assembly	670240847583
P6900-SH-XL	Lead-Free Supply Hose	670240485471
P6900-SSH	Single Stainless Supply Hose (3/8" F x 1/2" F x 18")	670240432789
P6900-SSH-2	Dual Stainless Supply Hose - 3/8" x 3/8" x 12" Long (Supply Hose from Stop to MV)	670240412446
P6900-SSH-3	Supply Hose 3/8" X 3/8" X 12" Long	889934070903
P6900-TMV-1-XL	Thermostatic Mixing Valve for Single Faucet (Lead-Free)	670240387003
Cover Plates		
P6900-CP4	4" Cover Plate (New Style) for Z6913-X and Z6920-XL Faucets	670240586758
P6900-CP4-1	4" Cover Plate with Hole for ADM Fits Z6913-XL Faucet	670240365087
P6900-CP4-GSK	4" Cover Plate Gasket for Z6913-XL, and Z6920-XL Faucets	670240645981
P6900-CP8	8" Cover Plate (New Style) for Z6913-XL and Z6920-XL Faucets	670240586765
P6900-CP8-2	8" Cover Plate with Hole for ADM Fits Z6913-XL Faucet	670240634251
P6900-CP8-GSK	8" Cover Plate Gasket for Z6913-XL, and Z6920-XL Faucets	670240615694
Power Options		
P6900-ACA	ACA Plug-in Power Converter 6 VDC for Z6913-XL, Z6915-XL, Z6920-XL, and Z6922-XL	670240582446
P6900-CWB	Connecting Wire for Battery Faucets (Z6913-XL, Z6915-XL, Z6920-XL, and Z6922-XL)	670240586000
P6900-CWB-1	20' Cord for Z6900 Faucets	670240651029
P6000-HW6	Hardwired Power Converter for Battery Faucets (Z6913-XL, Z6915-XL, Z6920-XL, and Z6922-XL)	670240533608
P6000-MJ	Mini Junction Box	670240419803
Z6913-XL Series Parts		
P6913-WEDGE	Wedge Gasket used on the Z6913 Faucet	670240616103
P6913-XL-1	Z6913 Lead-Free Spout Assembly	670240802506
P6900-BAT-AA	AA Battery	670240573819
P6900-B-BD	Battery Drawer for Z6913-XL, Z6915-XL, Z6920-XL, and Z6922-XL	670240412507
P6900-B-L	Electronics Module for Z6913-XL, Z6915-XL, Z6920-XL, and Z6922-XL	670240576582
P6900-SRK	Solenoid Rebuild Kit (Diaphragm, plunger and plunger spring)	670240574908
P6900-SG	Shank Connection Gasket	670240575813
Z6915-XL Series Parts		
P6915-MOUNTING-KIT	Mounting Hardware for Z6915 Faucet	670240403352
P6915-WEDGE	Wedge Gasket used on the Z6915 Faucet	670240621633
P6915-XL-1	Z6915 Lead-Free Spout Assembly	670240802513
P6900-BAT-AA	AA Battery	670240573819
P6900-B-BD	Battery Drawer for Z6913-XL, Z6915-XL, Z6920-XL, and Z6922-XL	670240412507
P6900-B-L	Electronics Module for Z6913-XL, Z6915-XL, Z6920-XL, and Z6922-XL	670240576582
P6900-SRK	Solenoid Rebuild Kit (Diaphragm, plunger and plunger spring)	670240574908
P6900-SG	Shank Connection Gasket	670240575813

When ordering parts, always list product number and description.

For additional product information, please visit www.zurn.com.

PRODUCT NO.	DESCRIPTION	UPC
Z6920-XL and Z6922-XL Series Parts		
P6920-XL-1	Lead-Free Base Assembly	670240872660
P6922-43	Mounting Kit for Z6922-XL	670240405974
P6922-XL-1	Electronics for Z6922 Battery Powered	670240957923
P6900-GA	3-1/2" Centerline Gooseneck Spout	670240554153
P6900-GB	5-3/8" Centerline Gooseneck Spout	670240537750
P6900-GC	8" Centerline Gooseneck Spout	670240563377
P6900-BAT-AA	AA Battery	670240573819
P6900-B-L	Electronics Module for Z6913-XL, Z6915-XL, Z6920-XL, and Z6922-XL	670240576582
P6900-SRK	Solenoid Rebuild Kit (Diaphragm, plunger and plunger spring)	670240574908
P6900-SG	Shank Connection Gasket	670240575813

Z6950-XL Series Parts		
P6950-43	Z6950 Bagging Assembly	889934080568
P6950-CP4	4" Cast Cover Plate with Gasket	670240963511
P6950-CP4-1	4" Cast Cover Plate with Gasket with Hole for ADM Mixer	670240963535
P6950-CP8	8" Cast Cover Plate with Gasket	670240963528
P6950-CP8-2	8" Cast Cover Plate with Gasket with Hole for ADM Mixer	670240963542
P6950-SRK-V2	Replacement Solenoid	889934173727
P6950-XL-44	Z6955-XL Spout Base Gasket	670240963306
P6950-XL-B	Spout Shank Base for Z6950/Z6955-XL	670240963276
P6950-XL-B-L-V2	Electronics Box with Solenoid - Z6950/55-XL	889934173703
P6950-XL-C	Mixing Handle Plug/Cap for Z6950-XL-IM Model	889934103113
P6950-XL-DC	Modular DC Pigtail Cable for Plug-In and Hardwired Units	670240963504
P6950-XL-EL	Z6950 Sensor Assembly	670240963559
P6950-XL-H	Mixing Handle for Z6950-XL-IM model	670240963344
P6950-XL-IM-B	Spout Shank Base on Z6950-XL-IM	670240963283
P6950-XL-IM-B-L-V2	Electronics Box with Solenoid - Z6950-XL-IM	670240963313
P6950-XL-IM-SPOUT	Z6950-XL-IM Spout Assembly with Sensor (Less Base Shank)	670240963245
P6950-XL-OS	Handle O-Ring and Handle Screw Z6950-XL-IM	670240963481
P6950-XL-S-1	Z6950-XL Spout Assembly with Sensor and Shank Base	670240963221
P6950-XL-S-IM-1	Z6950-XL-IM Spout Assembly with Sensor Shank Base	670240963238
P6950-XL-SPOUT	Z6950-XL Spout Assembly with Sensor (Less Base Shank)	889934173710
P6950-XL-Y	Y Pipe Adapter for Z6950-XL-IM Model	670240963337
P6950-XL-YC	Y Cable Adapter Z6950-XL-IM	670240963498
P6955-XL-S-1	Z6955-XL Spout Assembly with Sensor Shank Base	670240963214
P6955-XL-SPOUT	Z6955-XL Spout Assembly with Sensor (Less Base Shank)	670240963252

AquaVantage® AV Flush Valves With Chemical and Clog-Resistant, Triple Filter Diaphragm



Standard Features



High Pressure
Vacuum Breaker



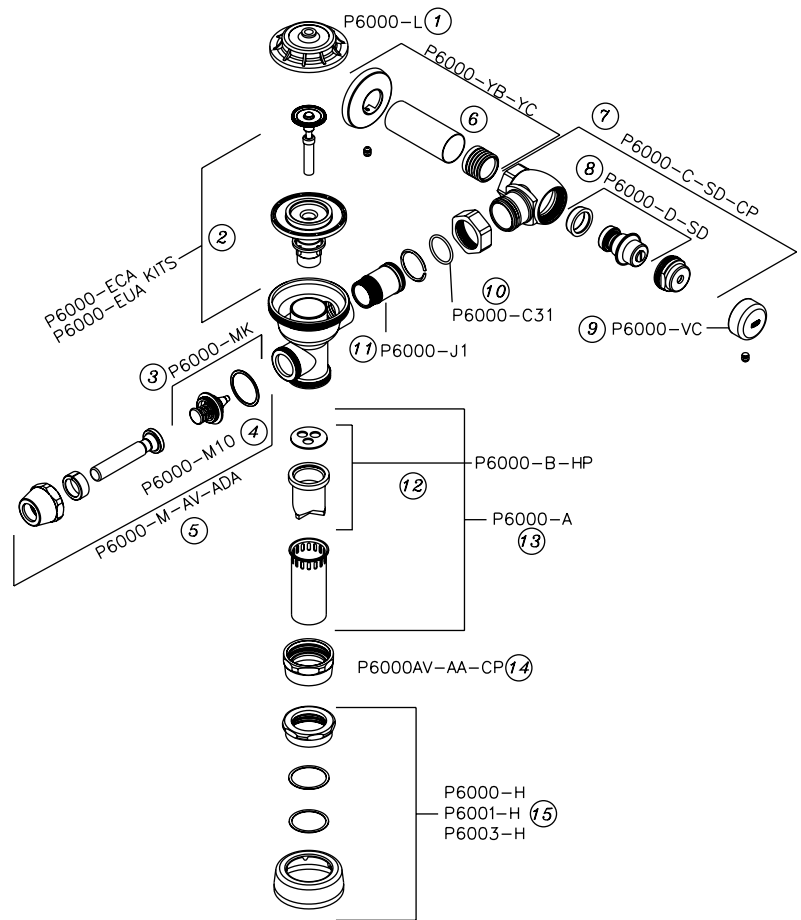
Low-Force, No Leak,
ADA Handle



Cast Wall Flange
with Setscrew



Vandal-Resistant
Control Stop Cover



NO.	PRODUCT NO.	DESCRIPTION
AquaVantage Covers		
1	P6000-LL-CP	Outside Cover - CP
2	P6000-L	Inside Plastic Cover
AquaVantage Repair Kits		
3	P6000-ECA-HET	Closet Repair Kit - 1.28 gpf
	P6000-ECA-WS	Closet Repair Kit - 3.5 gpf
	P6000-ECA-WS1	Closet Repair Kit - 1.6 gpf
	P6000-EUA-ULF	Urinal Repair Kit - 0.125 gpf
	P6000-EUA-WS	Urinal Repair Kit - 1.5 gpf
	P6000-EUA-WS1	Urinal Repair Kit - 1.0 gpf
	P6000-EUA-EWS	Urinal Repair Kit - 0.5 gpf
AquaVantage Handle Repair Kits and Parts		
4	P6000-MK	Handle Repair Kit
5	P6000-M10	Handle Gasket
6	P6000-M-ADA	Handle Assembly - ADA
Sweat Solder Kits		
7	P6000-YBYC	1" Sweat Solder Kit w/Cast Wall Flange
	P6003-YBYC	3/4" Sweat Solder Kit w/Cast Wall Flange

NO.	PRODUCT NO.	DESCRIPTION
Control Stop Repair Parts		
8	P6000-C-SD-CP	Control Stop - 1" Closet
	P6003-C-SD-CP	Control Stop - 3/4" Urinal
Stop Valve Repair Parts		
9	P6000-D-SD	Stop Valve Repair Kit - 1" and 3/4"
10	P6000-VC	Vandal-Resistant Stop Cover
Tail Piece Repair Parts		
11	P6000-C31	Tail Piece O-Ring
12	P6000-J1	Tailpiece Assembly
Flush Connections and Spud Coupling Kits		
13	P6000-B-HP	High Pressure Vacuum Breaker Repair Kit
14	P6000-A	Flush Tube Assembly for Flush Valves (Specify diameter and length.)
15	P6000-AA-CP	Vacuum Breaker Nut/Coupling - CP
16	P6000-H	1-1/2" Spud Coupling Assembly
	P6001-H	1-1/4" Spud Coupling Assembly
	P6003-H	3/4" Spud Coupling Assembly

AquaVantage® and Aquaflush® Concealed Replacement Parts - Z6100AV and Z6100 Series

FLUSH VALVES

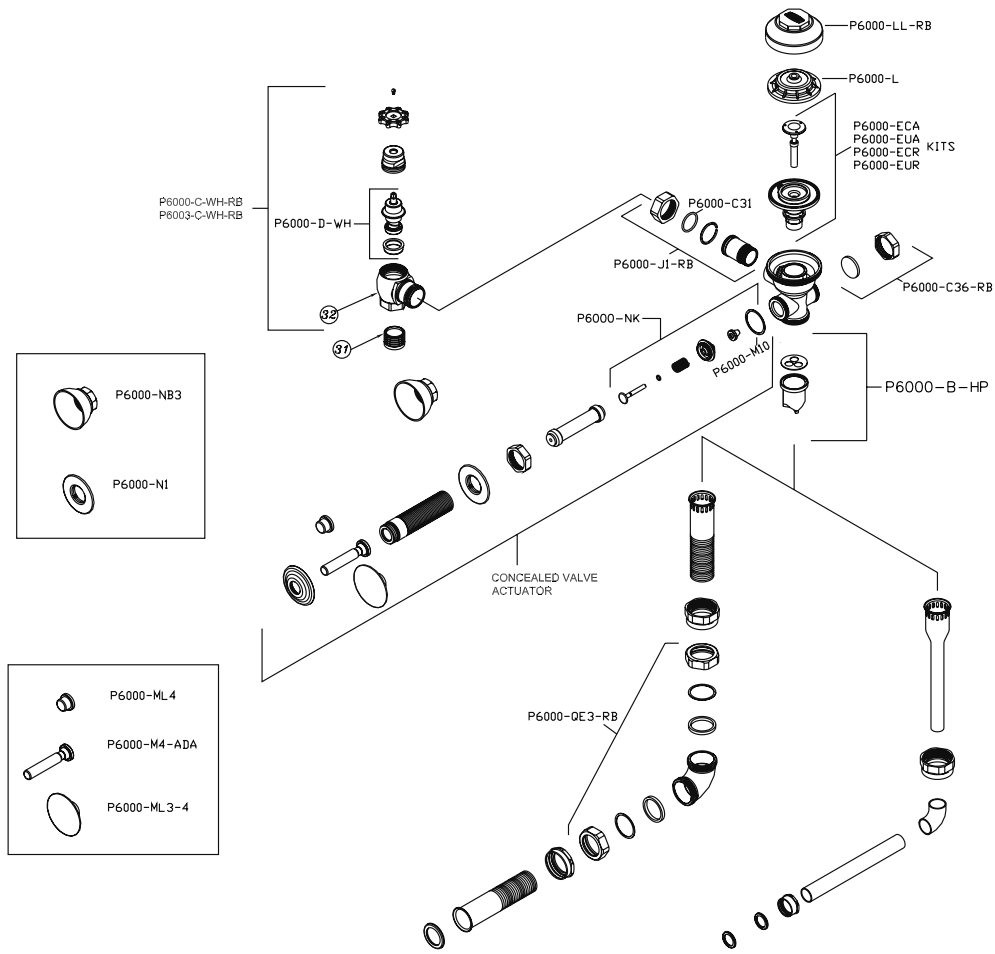
FAUCETS

TEMP-GARD®

TUBULAR BRASS

FIXTURES

AQUAPARTS® REPAIR PARTS AND ASSEMBLIES



NO.	PRODUCT NO.	DESCRIPTION
-----	-------------	-------------

AquaVantage Covers and Repair Kits		
	P6000-LL-RB	Outside Cover - RB
	P6000-L	Inside Cover
	P6000-ECA-WS1	Low Consumption Closet Kit - 1.6 gal.
	P6000-ECA-WS	Water Saving Closet Kit - 3.5 gal.
	P6000-EUA-WS1	Low Consumption Urinal Kit - 1.0 gal.
	P6000-EUA-WS	Water Saving Urinal Kit - 1.5 gal.

Aquaflush Covers and Repair Kits		
	P6000-LL-RB	Outside Cover - RB
	P6000-L	Inside Cover
	P6000-ECR-WS1	Low Consumption Closet Kit - 1.6 gal.
	P6000-ECR-WS	Water Saving Closet Kit - 3.5 gal.
	P6000-EUR-WS1	Low Consumption Urinal Kit - 1.0 gal.
	P6000-EUR-WS	Water Saving Urinal Kit - 1.5 gal.

Control Stop Repair Kit and Parts		
	P6000-C-WH-RB	Control Wheel Handle Stop - 1"
	P6003-C-WH-RB	Control Wheel Handle Stop - 3/4"
	P6000-D-WH	Control Stop Repair Kit for 1" and 3/4"
	P6000-YBA	Sweat Solder Connection

NO.	PRODUCT NO.	DESCRIPTION
-----	-------------	-------------

Handle Assembly and Repair Kits		
	P6000-N-__	Concealed Valve Actuator (Specify type and 'L' dim.)
	P6000-NL-__	Concealed Valve Actuator (Specify type and 'L' dim.)
	P6000-NL3-__	Concealed Valve Actuator (Specify type and 'L' dim.)
	P6000-NK	Handle Repair Kit
	P6000-M9	Handle Seal
	P6000-M10	Handle Gasket

Adjustable Tailpieces		
	P6000-J1-RB	Adjustable Tailpiece for Standard Flush Valve
	P6000-C30	Tailpiece Locking Ring
	P6000-C31	Tailpiece O-Ring
	P6000-C32-RB	Coupling Nut
	P6000-C36-RB	Handle Nut Solid with Gasket

Flush Connections and Spud Coupling Kits		
	P6000-QFC __	Flush Tube Assembly for Concealed Flush Valves (Refer to Section Q)
	P6000-B-HP	High Pressure Vacuum Breaker Repair Kit
	P6000-HN-RB	1-1/2" Spud Coupling Assembly
	P6001-HN-RB	1-1/4" Spud Coupling Assembly
	P6003-HN-RB	3/4" Spud Coupling Assembly

For more information, see FV212 or FV251

Aquaflush® Flush Valves With Chemical and Clog-Resistant Diaphragm



Standard Features



High Pressure
Vacuum Breaker



Low-Force, No Leak,
ADA Handle

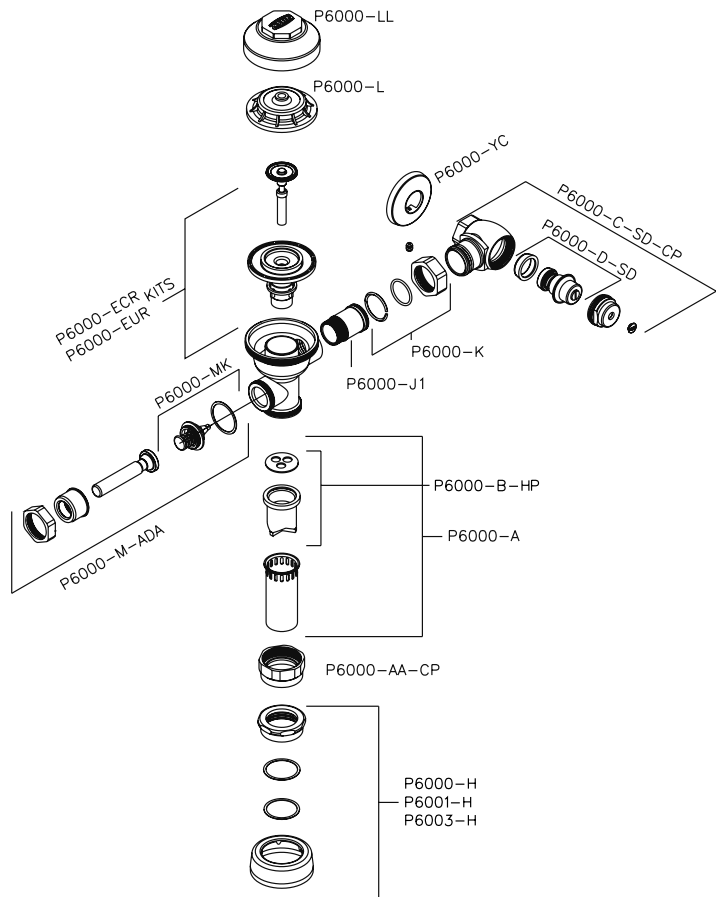
For Aquaflush PL- Add



Cast Wall Flange
with Setscrew



Vandal-Resistant
Control Stop Cover



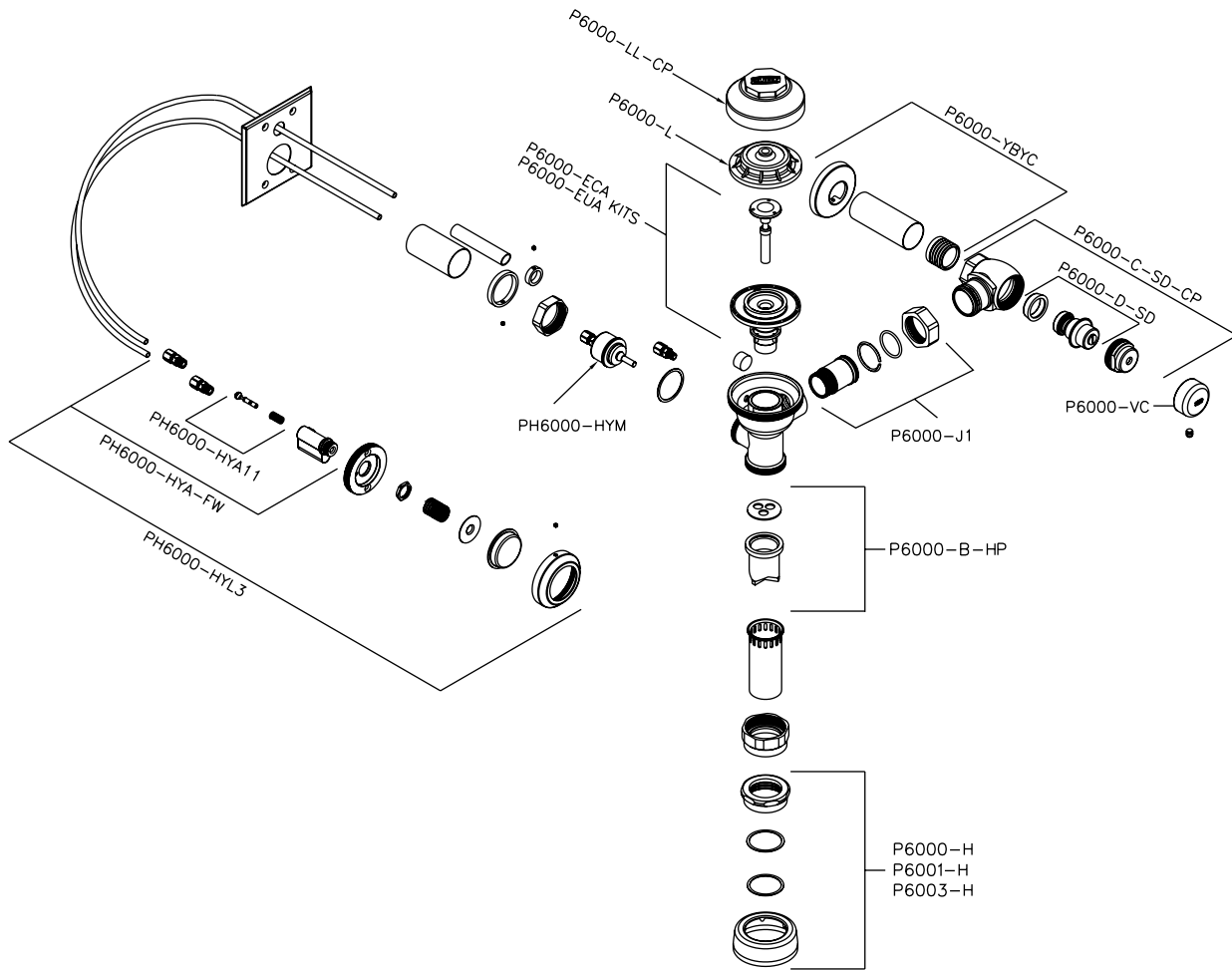
NO.	PRODUCT NO.	DESCRIPTION
Covers and Repair Kits		
	P6000-LL-CP	Outside Cover - CP
	P6000-L	Inside Cover
	P6000-ECR-WS1	Low Consumption Closet Kit - 1.6 gal. flush
	P6000-ECR-WS	Water Saving Closet Kit - 3.5 gal. flush
	P6000-EUR-WS1	Low Consumption Urinal Kit - 1.0 gal. flush
	P6000-EUR-WS	Water Saving Urinal Kit - 1.5 gal. flush
Repair Parts - Inside Parts		
	P6000-EU13	Urinal Relief Valve
	P6000-EC13	Closet Relief Valve
	P6000-E14	Molded Disc
	P6000-ER15	Diaphragm with Flow Rings
Aquaflush Rebuild Kits		
	P6000-ECR-WS-RK	Closet Rebuild Kits
	P6000-ECR-WS1-RK	Closet Rebuild Kits
	P6000-EUR-WS-RK	Urinal Rebuild Kits
	P6000-EUR-WS1-RK	Urinal Rebuild Kits
Handle Assembly and Repair Kits		
	P6000-M-ADA	ADA Handle Assembly (Side)
	P6000-MK	Handle Repair Kit (Side)
	P6000-M9	Handle Seal
	P6000-M10	Handle Gasket
	P6000-MHK	Repair Kit for Front Operation - Exposed
	P6000-MH	Handle Assembly (Front)

NO.	PRODUCT NO.	DESCRIPTION
Control Stop Repair Kit and Parts		
	P6000-D-SD	Control Stop Repair Kit for 1" and 3/4"
	P6000-D42	Seal Seat for 1" and 3/4"
	P6000-D-VP	VP Control Stop Repair Kit for 1" and 3/4"
	P6000-YB	Sweat Solder Connection 1"
	P6003-YB	Sweat Solder Connection 3/4"
Adjustable Tailpieces		
	P6000-J1	Adjustable Tailpiece for Standard Flush Valve
	P6000-C30	Tailpiece Locking Ring
	P6000-C31	Tailpiece O-Ring
	P6000-C32	Coupling Nut
Flush Connections and Spud Coupling Kits		
	P6000-A	Flush Tube Assembly for Flush Valves (Specify diameter and length.)
	P6000-H	1-1/2" Spud Coupling Assembly
	P6001-H	1-1/4" Spud Coupling Assembly
	P6003-H	3/4" Spud Coupling Assembly

When ordering parts, always list product number and description.

For additional product information, please visit www.zurn.com.

AquaVantage® and Aquaflush® Hydraulic-Operated Replacement Parts



NO.	PRODUCT NO.	DESCRIPTION
-----	-------------	-------------

AquaVantage Covers and Repair Kits

	P6000-LL-CP	Outside Cover - CP
	P6000-L	Inside Cover
	P6000-ECA-WS1	Low Consumption Closet Kit - 1.6 gal.
	P6000-ECA-WS	Water Saving Closet Kit - 3.5 gal.
	P6000-EUA-WS1	Low Consumption Urinal Kit - 1.0 gal.
	P6000-EUA-WS	Water Saving Urinal Kit - 1.5 gal.

Aquaflush Repair Kits

	P6000-ECR-WS1	Low Consumption Closet Kit - 1.6 gal.
	P6000-ECR-WS	Water Saving Closet Kit - 3.5 gal.
	P6000-EUR-WS1	Low Consumption Urinal Kit - 1.0 gal.
	P6000-EUR-WS	Water Saving Urinal Kit - 1.5 gal.

Actuator Assembly and Repair Parts

	PH6000-HYL3-FW	Large Push Button Assembly, Fixture Wall
	PH6000-SHYL3-SW	Large Push Button Assembly, Side Wall
	PH6000-HYL-MB	Metal Push Button Assembly
	PH6000-HYLP-MBP	Metal Push Button Assembly for Penal Use
	PH6000-HYA11	Repair Kit for Hydraulic Actuator

NO.	PRODUCT NO.	DESCRIPTION
-----	-------------	-------------

Control Stops and Repair Kits

	P6000-D-SD	Control Stop Repair Kit for 1" and 3/4"
	P6000-C-SD-CP	Control Stop - 1"
	P6003-C-SD-CP	Control Stop - 3/4"
	P6000-C-WH-RB	Control Stop - 1" Concealed
	P6003-C-WH-RB	Control Stop - 3/4" Concealed

Sweat Solder Kit

	P6000-YBYC	Solder Adapter, Cover Tube, and Cast Wall Flange
--	------------	--

Adjustable Tailpieces

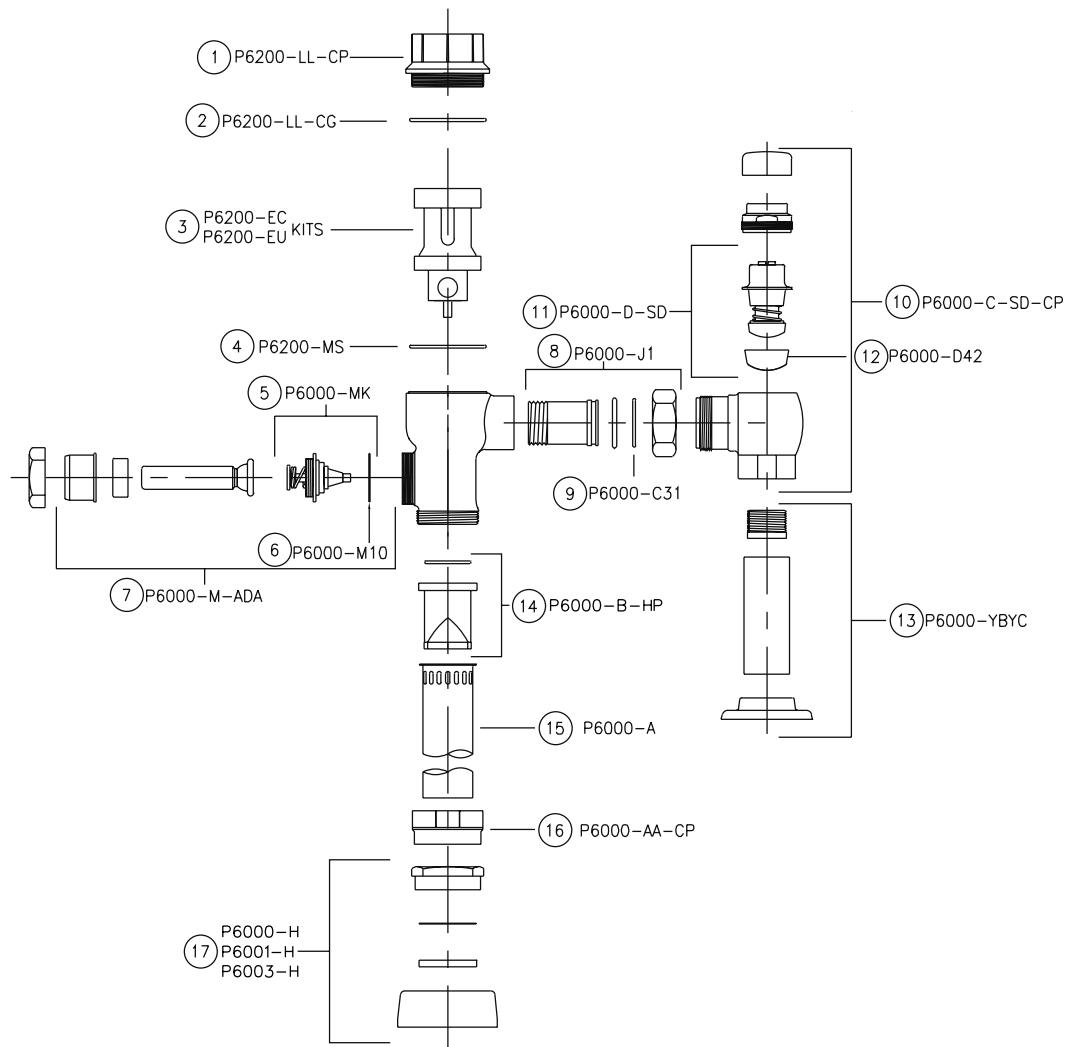
	P6000-J1	Adjustable Tailpieces for Standard Flush Valve
	P6000-C30	Tailpiece Locking Ring
	P6000-C31	Tailpiece O-Ring
	P6000-C32-CP	Coupling Nut

Flush Connections and Spud Coupling Kits

	P6000-A	Flush Tube Assemblies for Flush Valves (Specify diameter and length.)
	P6000-B-HP	High Pressure Vacuum Breaker Repair Kit
	P6000-H	1-1/2" Spud Coupling Assembly
	P6001-H	1-1/4" Spud Coupling Assembly
	P6003-H	3/4" Spud Coupling Assembly

For more information, see FV241

Metroflush® Replacement Parts



NO.	PRODUCT NO.	DESCRIPTION
Metroflush Covers and Repair Kits		
1	P6200-LL-CP	Outside Cover - CP
2	P6200-LL-CG	Cover Gasket
3	P6200-EC-WS	Metroflush Repair Kit - Closet 3.5 gal.
	P6200-EC-WS1	Metroflush Repair Kit - Closet 1.6 gal.
	P6200-EC-HET	Metroflush Repair Kit - Closet 1.28 gal.
	P6203-EU-WS	Metroflush Repair Kit - Urinal 1.5 gal.
	P6203-EU-WS1	Metroflush Repair Kit - Urinal 1.0 gal.
4	P6200-MS	Main Seat for Metroflush Valve
Metroflush Handle Repair Parts and Kits		
5	P6000-MK	Handle Repair Kit
6	P6000-M10	Handle Gasket
7	P6000-M-ADA	Handle Assembly - ADA
Metroflush Tailpiece Repair Parts and Kits		
8	P6000-J1	Adjustable Tailpieces for Std. Flush Valve
9	P6000-C31	Tailpiece O-Ring

NO.	PRODUCT NO.	DESCRIPTION
Metroflush Control Stops and Repair Kits		
10	P6000-C-SD-CP	Control Stop - 1" - Closet
	P6003-C-SD-CP	Control Stop - 3/4" - Urinal
11	P6000-D-SD	Control Stop Repair Kit - 1" and 3/4"
12	P6000-D42	Seal/Plug Seat for 1" and 3/4"
Sweat Solder Kit		
13	P6000-YBYC	1" Sweat Solder Kit w/Cast Wall Flange
	P6003-YBYC	3/4" Sweat Solder Kit w/Cast Wall Flange
Flush Tube Parts and Repair Kits		
14	P6000-B-HP	Vacuum Breaker Repair Kit
15	P6000-A-CP	Flush Tube Assembly - 1-1/2"
	P6001-A-CP	Flush Tube Assembly - 1-1/4"
	P6003-A-CP	Flush Tube Assembly - 3/4"
Flush Connections and Spud Coupling Kits		
16	P6000-AA-CP	Vacuum Breaker Nut/Coupling - CP
17	P6000-H	1-1/2" Spud Coupling Assembly
	P6001-H	1-1/4" Spud Coupling Assembly
	P6003-H	3/4" Spud Coupling Assembly

For more information, see FV116

When ordering parts, always list product number and description.

For additional product information, please visit www.zurn.com.

FLUSH VALVES

FAUCETS

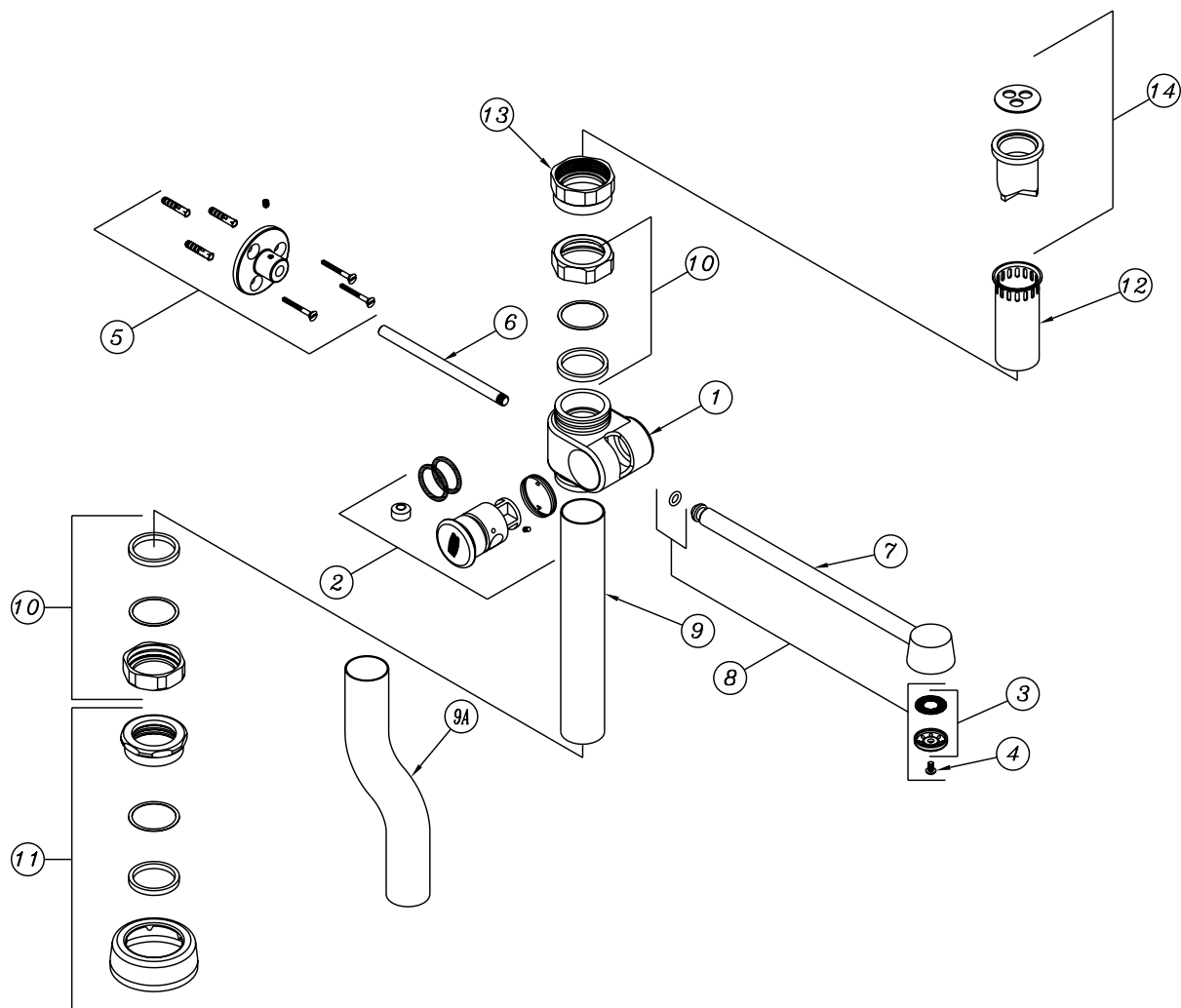
TEMP-GARD®

TUBULAR BRASS

FIXTURES

AQUAPARTS® REPAIR PARTS AND ASSEMBLIES

Bedpan Washer Replacement Parts



NO.	PRODUCT NO.	DESCRIPTION
1	P6000-PN21	Diverter Body
2	P6000-PN20	Elbow Assembly (Elbow, Spring, Setscrew, 2 O-Rings, and Grommet)
3	P6000-P3	Spray Disc
4	P6000-P4	Spray Disc Screw
5	P6000-P8	Wall Flange with Setscrew and Mounting Hardware
6	P6000-P8-1	Support Rod
7	P6000-PN18	Spray Arm Assembly - 12"
8	P6000-PN19	Spray Arm Repair Kit (O-Ring, Spray Disc, Screen, and Screw)
9	P6000-P15	Bottom Tube
9A	P6000-P15-LO	Optional Offset Tube
10	P6000-HN-CP	Coupling Assembly - 1-1/2"
11	P6000-H	Spud Coupling Assembly - 1-1/2"
12	P6000-1-A-CP	Vacuum Breaker Tube
13	P6000-AA-CP	Tube Nut
14	P6000-B-HP	High Pressure Vacuum Breaker Repair Kit
15	P6000-PN22	Bedpan Diverter Rebuild Kit (Items 8, 2 [Except Elbow], Tube Gasket)

For more information, see FV335

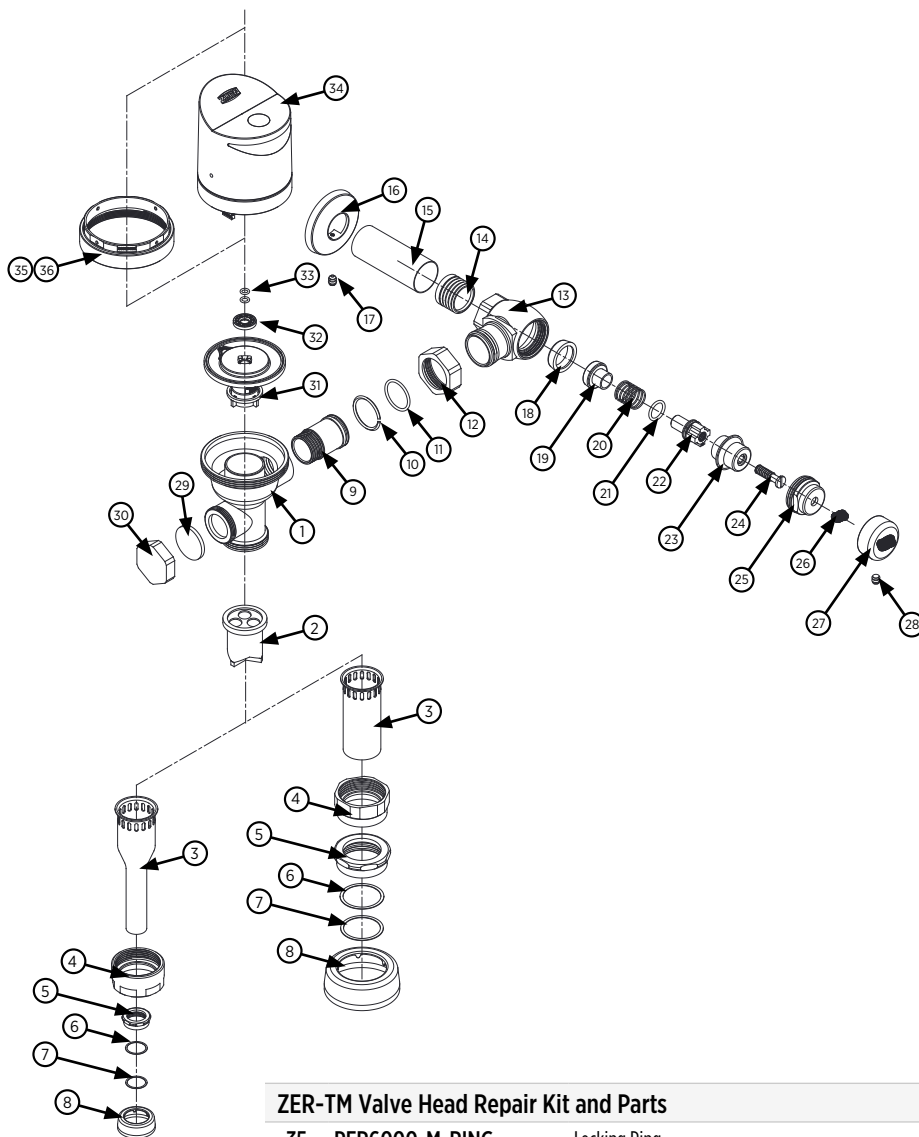
For additional product information, please visit www.zurn.com.

When ordering parts, always list product number and description.

ZERK-TM Replacement Parts

Parts Identification

1. Valve Body
2. Vacuum Breaker Duckbill
3. Vacuum Breaker Tube
4. Vacuum Breaker Tube Nut
5. Spud Nut
6. Spud Friction Washer
7. Spud Sleeve
8. Spud Escutcheon
9. Tailpiece
10. Snap Ring
11. Tailpiece O-Ring
12. Locking Nut
13. Stop Body
14. Sweat Solder Adapter
15. Supply Cover Tube
16. Cast Wall Escutcheon
17. Setscrew for Cast Wall Flange
18. Piston Seal
19. Piston
20. Stop Spring
21. Guide O-Ring
22. Piston Guide
23. Guide Holder
24. Adjusting Screw
25. Stop Cap
26. Snap Cap Screw Cover
27. Vandal Resistant Control Stop Cover
28. Setscrew for Control Stop Cover
29. Handle Cap Seal
30. Handle Nut
31. Diaphragm Kit
32. Volume Control Ring
33. Manifold Stem O-Ring
34. ZERK-TM Valve Head
35. Locking Ring
36. Locking Ring Compatible with Sloan**



***Sloan® is a registered trademark of Sloan Valve Company. Sloan and the Sloan products listed are not associated with Zurn or Zurn's products. The brands and product names listed may be subject to the trademark rights of their respective owners. Use of the brands and names is for identification purposes only and does not imply affiliation with or endorsement by Zurn.*

NO.	PRODUCT NO.	DESCRIPTION
Control Stop Repair Kit and Parts		
18-24	P6000-D-SD	Control Stop Repair Kit for 1" and 3/4"
18	P6000-D42	Seal Seat for 1" and 3/4"
18-24	P6000-D-VP	VP Control Stop Repair Kit for 1" and 3/4"
14-16	P6000-YBYC	Sweat Solder Connection with Cast Wall Flange
Adjustable Tailpieces		
9-11	P6000-J1	Adjustable Tailpiece for Standard Flush Valve
10-12	P6000-K	Tailpiece Coupling Assembly
10	P6000-C30	Tailpiece Locking Ring
11	P6000-C31	Tailpiece O-Ring
12	P6000-C32	Coupling Nut
Flush Connections and Spud Coupling Kits		
5-8	P6000-H	Spud Coupling Assembly for Water Closet, Specify Size
	P6003-H	Spud Coupling Assembly for Urinal, Specify Size

ZERK-TM Valve Head Repair Kit and Parts

35	PER6000-M-RING	Locking Ring
36	PER6000-M-RING-S	Locking Ring Compatible with Sloan®
34	PERK6000-L-1.1	Valve Head, (1.1 gpf)
	PERK6000-L-1.28	Valve Head, (1.28 gpf)
	PERK6000-L-1.6	Valve Head, (1.6 gpf)
	PERK6000-L-1.6/1.1	Valve Head, (1.6/1.1 gpf)
	PERK6003-L-0.125	Valve Head, (0.125 gpf)
	PERK6003-L-0.5	Valve Head, (0.5 gpf)
	PERK6003-L-1.0	Valve Head, (1.0 gpf)
	PERK6000-L-1.1-S	Valve Head Compatible with Sloan®, (1.1 gpf)
	PERK6000-L-1.28-S	Valve Head Compatible with Sloan®, (1.28 gpf)
	PERK6000-L-1.6-S	Valve Head Compatible with Sloan®, (1.6 gpf)
	PERK6000-L-1.6/1.1-S	Valve Head Compatible with Sloan®, (1.6/1.1 gpf)
	PERK6003-L-0.125-S	Valve Head Compatible with Sloan®, (0.125 gpf)
	PERK6003-L-0.5-S	Valve Head Compatible with Sloan®, (0.5 gpf)
	PERK6003-L-1.0-S	Valve Head Compatible with Sloan®, (1.0 gpf)

ZERK-TM Diaphragm Repair Kit

31-33	PER6000-EC	Flush Valve Repair Kit - (1.1, 1.28, 1.6, 1.6/1.1 gpf)
	PER6003-EU-ULF	Urinal Repair Kit - (0.125 gpf)
	PER6003-EU	Urinal Repair Kit - (0.5, 1.0 gpf)

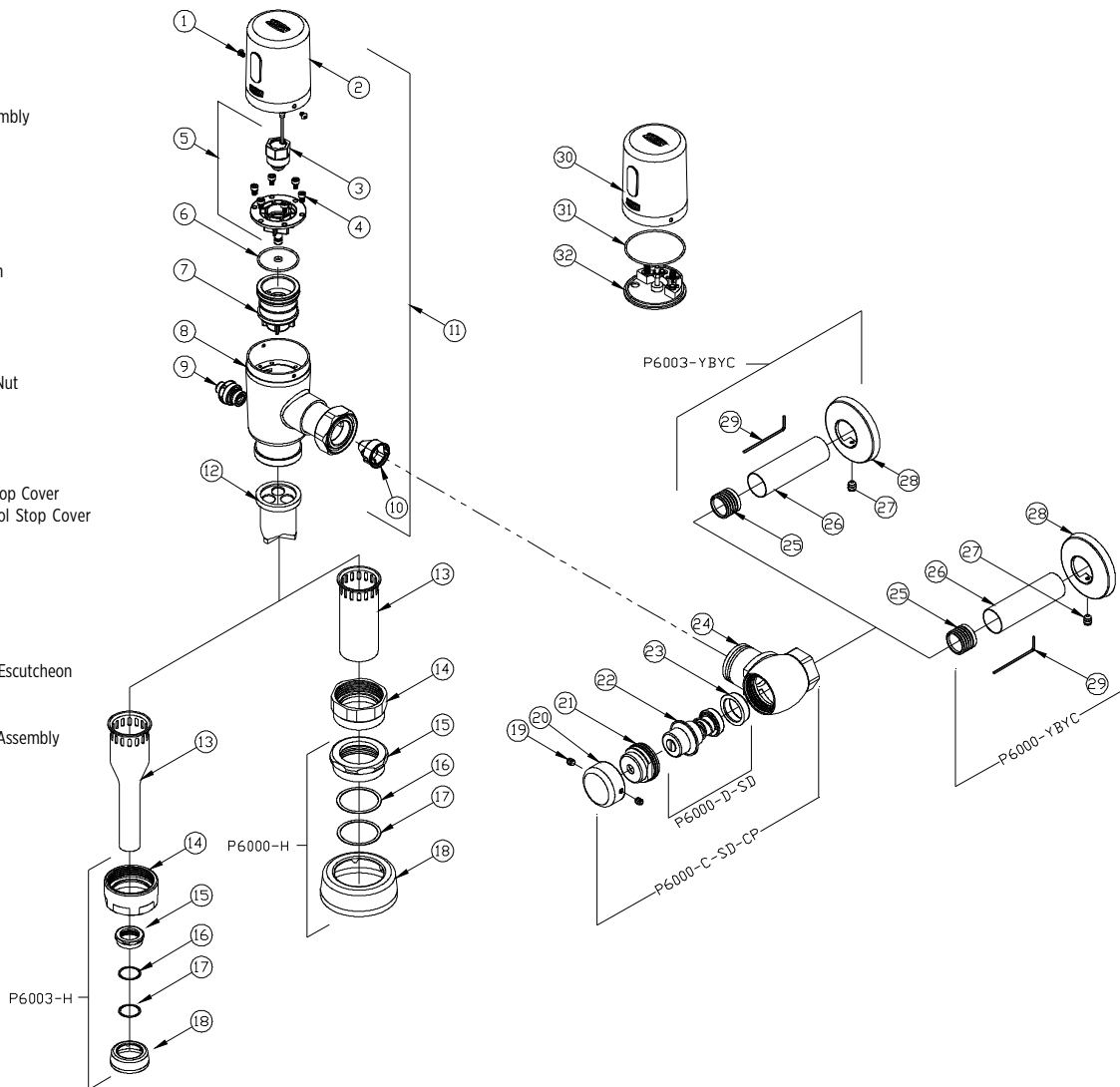
When ordering parts, always list product number and description.

For additional product information, please visit www.zurn.com.

ZTR6200EV Series Replacement Parts

Parts Identification

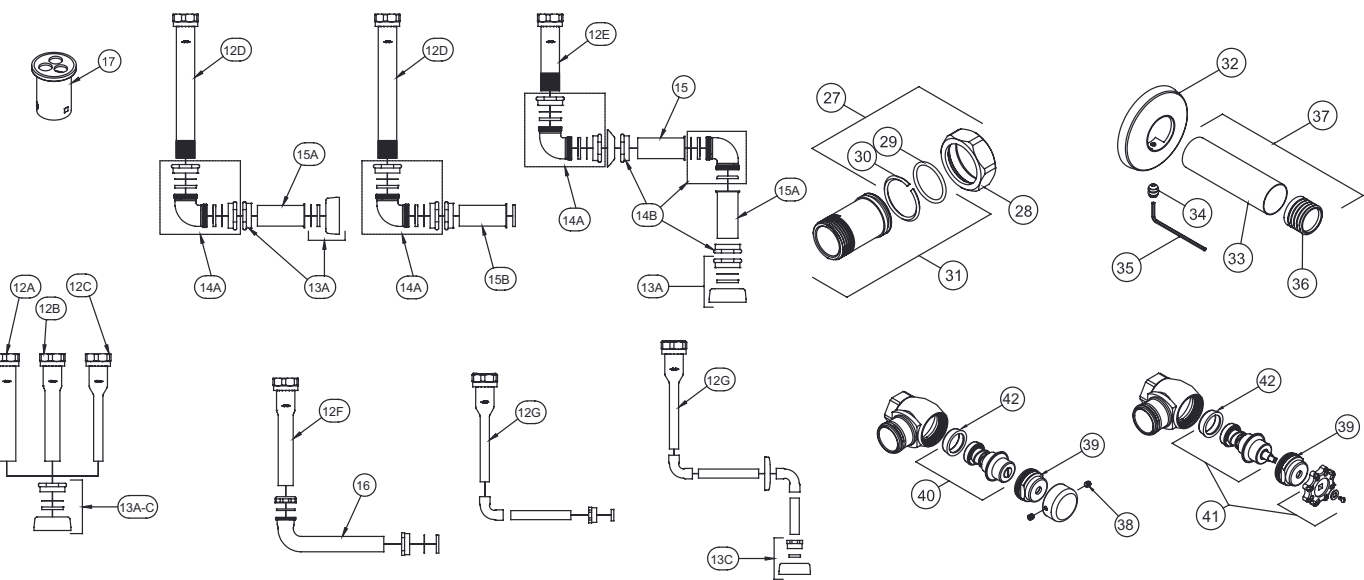
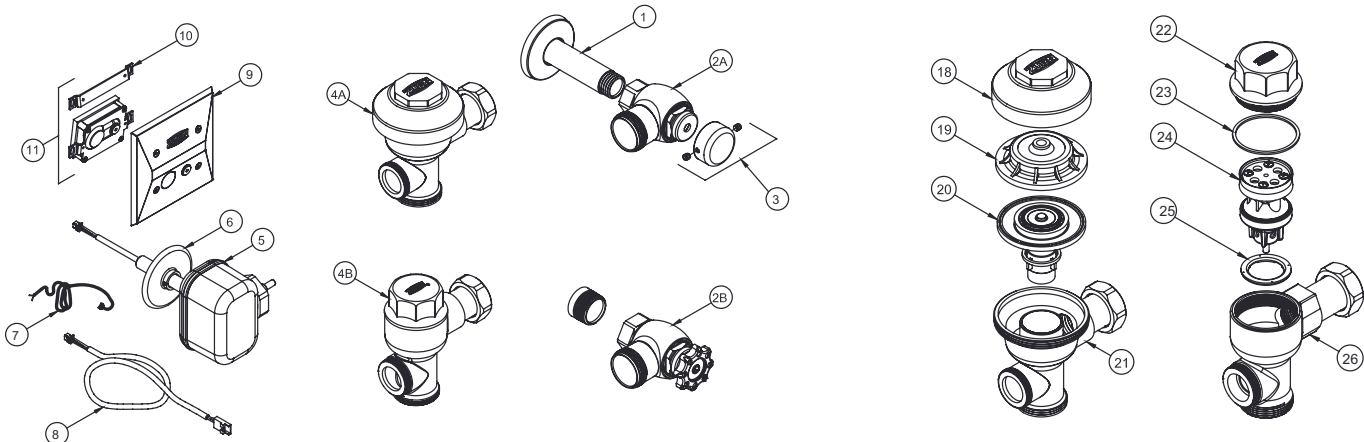
1. Cover Screw
2. Valve Cap/Sensor Assembly
3. Solenoid
4. Piston Cover Screws
5. Solenoid Kit
6. Flange O-rings
7. Piston Kit
8. Valve Housing
9. Manual Override Button
10. Filter
11. Valve Assembly
12. Vacuum Breaker
13. Vacuum Breaker Tube
14. Vacuum Breaker Tube Nut
15. Spud Nut
16. Spud Friction Washer
17. Spud Sleeve
18. Spud Escutcheon
19. Setscrew for Control Stop Cover
20. Vandal-Resistant Control Stop Cover
21. Stop Cap Bonnet
22. Stop Internals
23. Piston Seal
24. Stop Body
25. Sweat Solder Adapter
26. Supply Cover Tube
27. Setscrew for Cast Wall Escutcheon
28. Cast Wall Escutcheon
29. Hex Wrench
30. Top Valve Cap/Sensor Assembly
31. Battery Housing O-ring
32. Battery Cover



NO.	PRODUCT NO.	DESCRIPTION
Valve and Components		
	PTR6200-HSA	Valve Housing, Items 8 & 9
	PTR6200-L-1.1-VR	Valve Cap, (1.1 gpf), Item 2
	PTR6200-L-1.28-VR	Valve Cap, (1.28 gpf), Item 2
	PTR6200-L-1.6-VR	Valve Cap, (1.6 gpf), Item 2
	PTR6200-L-1.0-VR	Valve Cap, (1.0 gpf), Item 2
	PTR6200-L-0.5-VR	Valve Cap, (0.5 gpf), Item 2
	PTR6200-L-0.25-VR	Valve Cap, (0.25 gpf), Item 2
	PTR6200-L-0.25-VR	Valve Cap, (0.125 gpf), Item 2
	PTR6200-M	Solenoid Replacement Kit, Item 5
	PTR6200-EC	Piston Kit (1.1/1.28/1.6 GPF), Item 7
	PTR6203-EU	Piston Kit (0.5/1.0 GPF), Item 7
	PTR6203-EU-ULF	Piston Kit (0.125/0.25 GPF), Item 7
	PTR6200-24	Manual Override Button Assembly, Item 9
	PTR6200-M-ring	Flange O-Ring, Item 6
	PTR6200-M-S	Flange Screw, Item 4
	P6000-FA	Filter, (1.28/1.6 gpf), Item 10
	PTR6203-FA	Filter, (1.0/0.5 gpf), Item 10
	PTR6200-L-S	Cover screw, Item 1

NO.	PRODUCT NO.	DESCRIPTION
Flush Connections and Spud Coupling Kits		
	P6000-H	Closet Flush Connection and Spud Coupling, Items 15-18
	P6003-H	Urinal Flush Connection and Spud Coupling, Items 15-18
	P6000-B-HP	Vacuum Breaker Repair Kit, Items 11
	P6000-A-CP	Vacuum Breaker Tube
	P6000-AA-CP	Vacuum Breaker Tube Nut
Control Stop Repair Kit and Parts		
	P6000-C-SD-CP	Control Stop Repair Kit for 1" and 3/4", Includes Items 14-20
	P6000-D42	Seal Seat for 1" and 3/4", Includes Item 23
	P6000-YBA	Sweat Solder Adapter, Includes Item 25
	P6000-VC	Vandal resistant control stop cover, Items 19-20
	P6000-YBYC	Closet Sweat solder kit, Items 25-29
	P6003-YBYC	Urinal Sweat solder kit, Items 25-29

ZEMS-IS Series Replacement Parts



NO.	PRODUCT NO.	DESCRIPTION
1	P6000-LL-CP	Outside Brass Cover
2	P6000-L	Inside Plastic Cover
3	P6000-ECA	Closet Repair Kit
	P6000-EUA	Urinal Repair Kit
4	P6000-M10	Handle Gasket
5	PEMS6000-HYM-IS	Actuator Assembly for Exposed ZEMS Valves
6	P6000-YBYC	Sweat Solder Kit with Cast Flange
7	P6000-YC	Cast Wall Flange
8	P6000-YB-CVR6	6" Cover Tube
9	P6000-YBA	Sweat Solder Adapter
10	P6000AV-C-SD-CP	1" SD Stop - CP with Vandal-Resistant Cover
11	P6000-D42	Seal/Plug Seat for 1" and 3/4"

NO.	PRODUCT NO.	DESCRIPTION
12	P6000-D-SD	SD Stop Valve Repair Kit
14	P6000-VC	Vandal-Resistant Cap
15	P6000-J1	Tailpiece
16	P6000-B-HP	High Pressure Vacuum Breaker Repair Kit
17	P6003-A-CP	3/4" x 9" Vacuum Breaker Tube
18	P6000-AA-CP	Vacuum Breaker Nut
19	P6003-H	3/4" Spud Coupling Assembly
20	P6000-A-CP	1-1/2" x 9" Vacuum Breaker Tube
21	P6000-H	1-1/2" Spud Coupling Assembly
22	PEMS6000-IS-CW	Connecting Wire
23	P6000-ACA-BA	Plug-in Power Converter
24	P6000-HW6	Hardwire Power Converter

When ordering parts, always list product number and description.

For additional product information, please visit www.zurn.com.

FLUSH VALVES

FAUCETS

TEMP-GARD

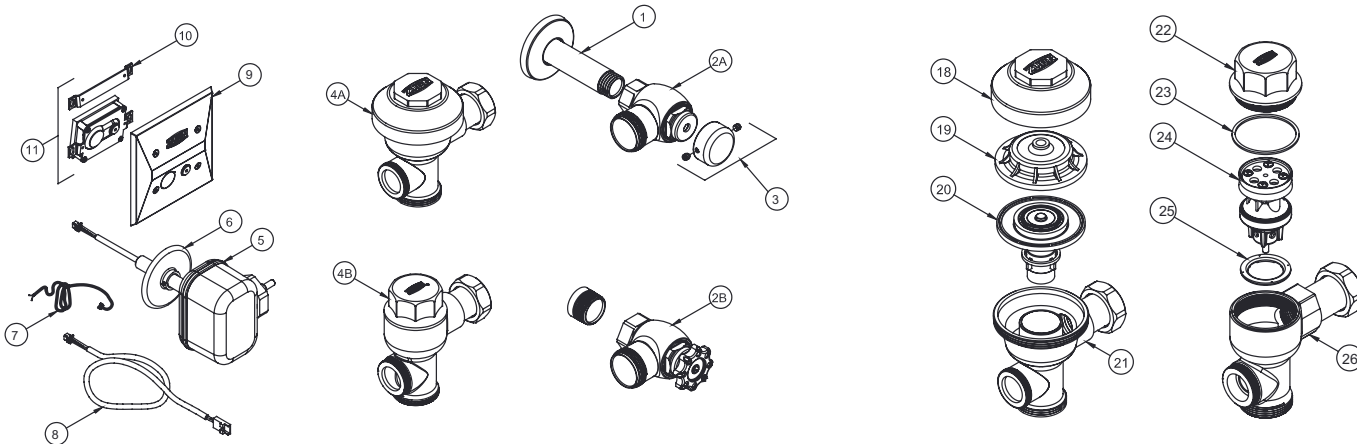
TUBULAR BRASS

FIXTURES

AQUAPARTS REPAIR PARTS AND ASSEMBLIES

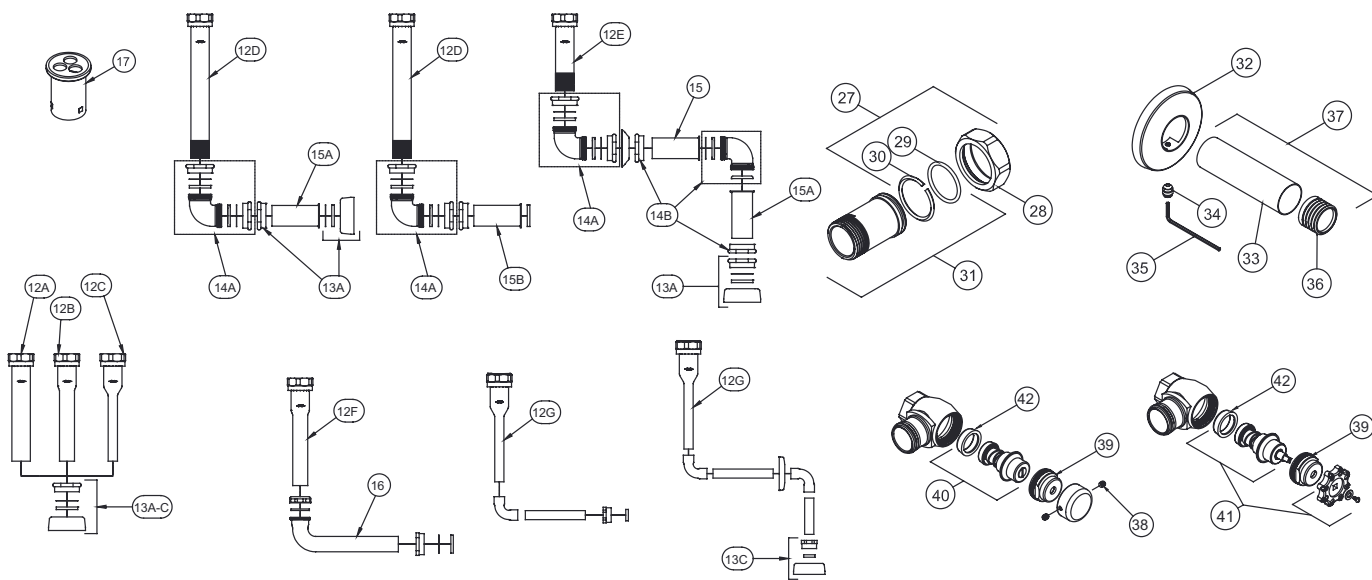
ZEMS Closet Series Replacement Parts

FLUSH VALVES



FAUCETS

TEMP-GARD®



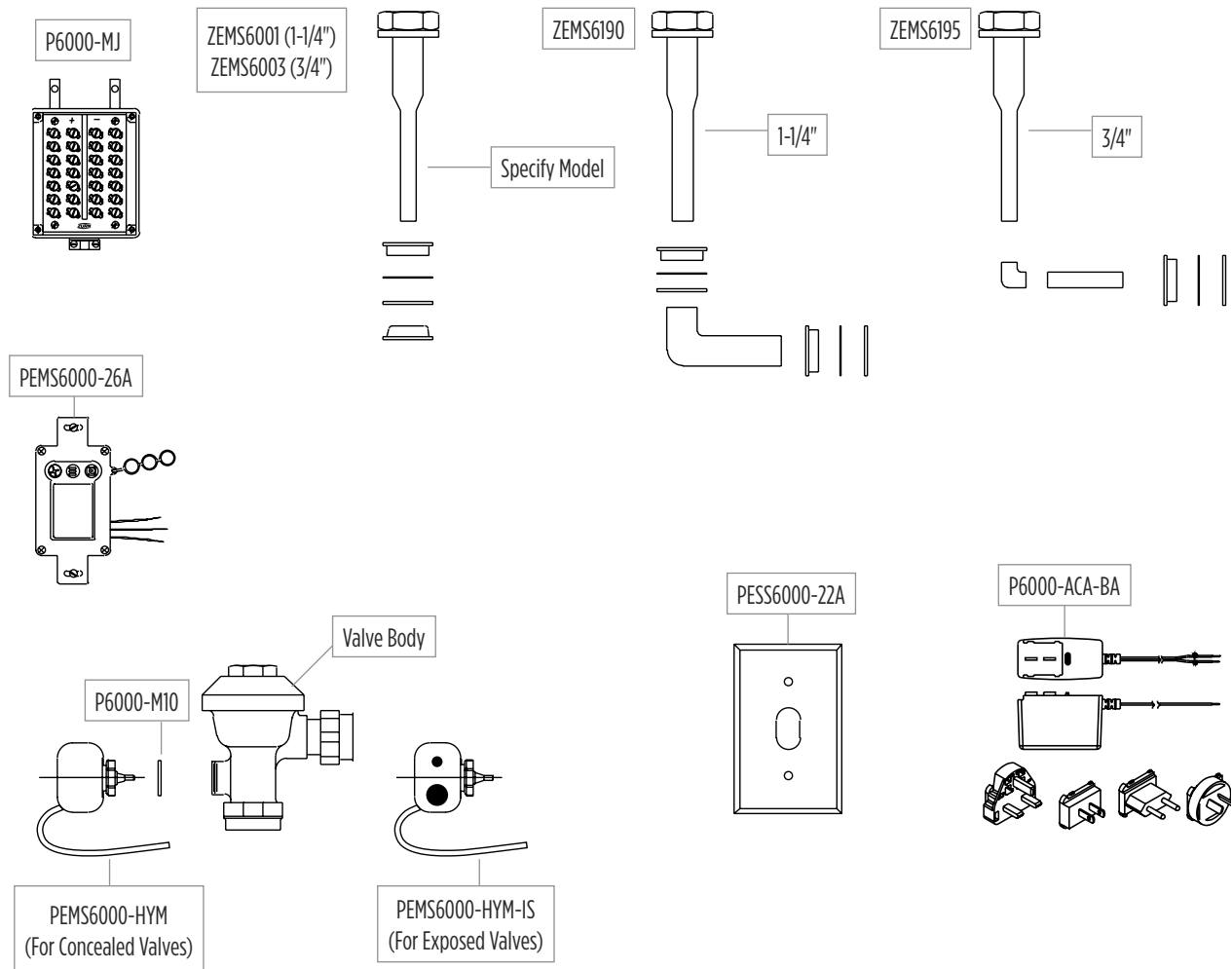
TUBULAR BRASS

FIXTURES

NO.	PRODUCT NO.	DESCRIPTION
	PEMS6000-26	Sensor for Closet ZEMS
	PEMS6000-HYM	Actuator Assembly for ZEMS Valves - Concealed
	PEMS6000-HYM-IS	Actuator Assembly for ZEMS Valves - Exposed
	PESS6000-22	Closet Sensor Cover Plate with Override Hole - 4" x 4"
	P6000-M10	Handle Gasket
	P6000-MJ	Mini Junction Box (Shown Less Cover)
	P6000-ACA-BA	6 VDC Power Converter
	P6000-HW6	Hardwire Power Converter (Not Shown)

AQUAPARTS® REPAIR PARTS AND ASSEMBLIES

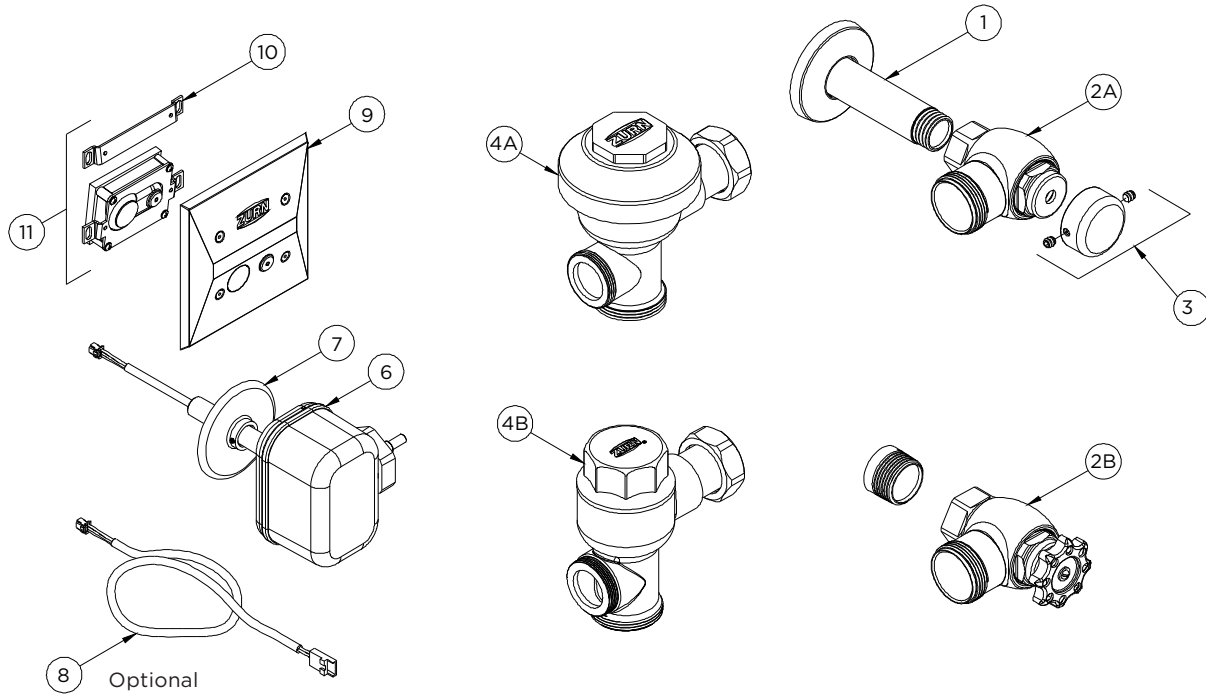
ZEMS Urinal Valve Replacement Parts



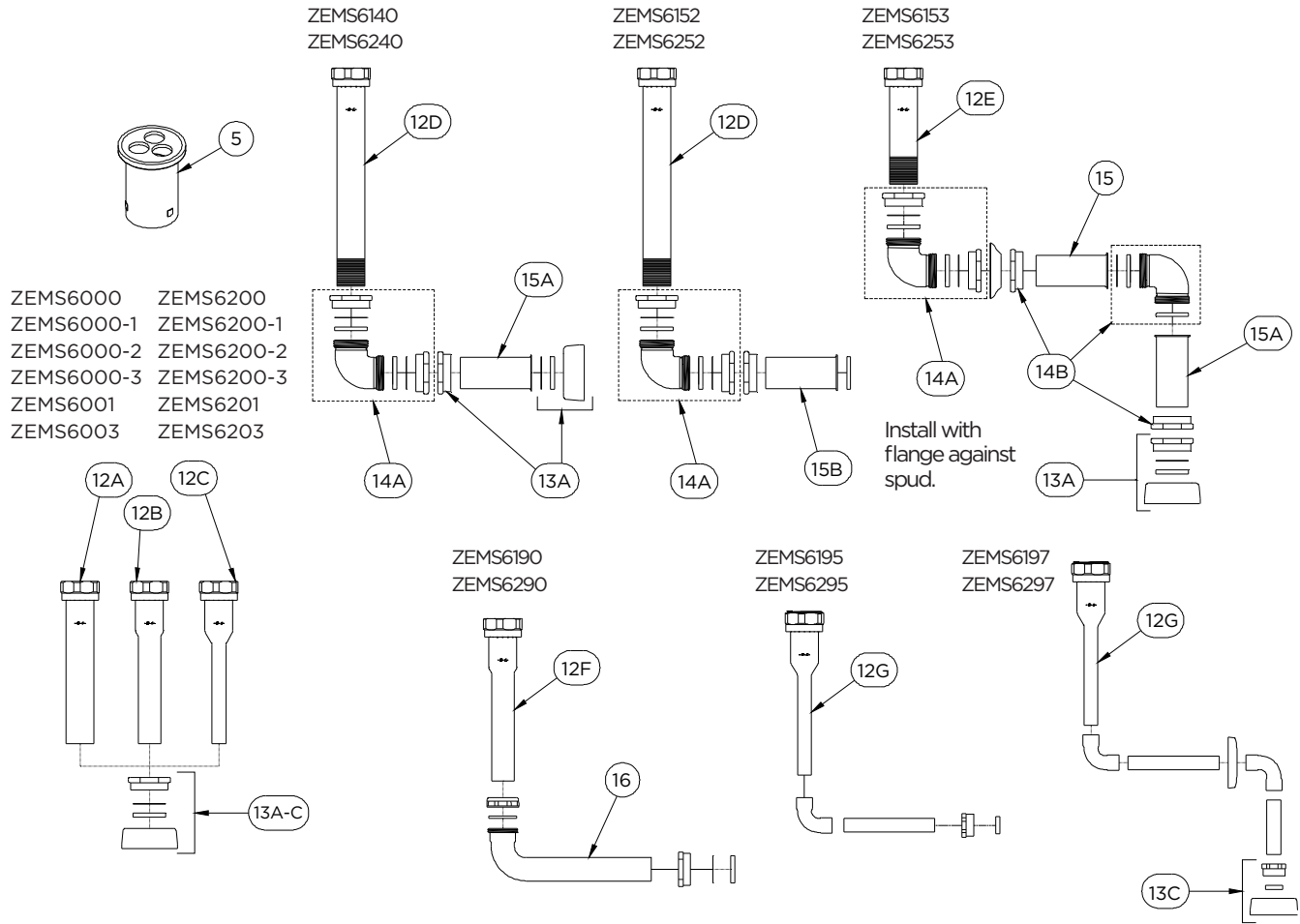
NO.	PRODUCT NO.	DESCRIPTION
	PEMS6000-26A	Sensor for Urinal ZEMS
	PEMS6000-HYM	Actuator Assembly for ZEMS Valves - Concealed
	PEMS6000-HYM-IS	Actuator Assembly for ZEMS Valves - Exposed
	PESS6000-22A	Urinal Sensor Cover Plate - 2" x 4"
	P6000-M10	Handle Gasket
	P6000-MJ	Mini Junction Box (Shown Less Cover)
	P6000-ACA-BA	6 VDC Power Converter
	P6000-HW6	Hardwire Power Converter (Not Shown)

For more information, see FV38-WCS

ZEMS G2 Series Replacement Parts



NO.	PRODUCT NO.	DESCRIPTION
1	P6000-YBYC	Closet Cast Wall Escutcheon & Solder Kit
	P6003-YBYC	Urinal Cast Wall Escutcheon & Solder Kit
2A	P6000-C-SD-CP	Chrome Plated Closet Stop Assembly
	P6003-C-SD-CP	Chrome Plated Urinal Stop Assembly
	P6003-C-SD-RB	Rough Brass Urinal Stop Assembly
2B	P6000-C-WH-CP	Chrome Plated Closet Stop Assembly for Wheel Handle
	P6003-C-WH-CP	Chrome Plated Urinal Stop Assembly for Wheel Handle
	P6000-C-WH-RB	Rough Brass Closet Stop Assembly for Wheel Handle
	P6003-C-WH-RB	Rough Brass Urinal Stop Assembly for Wheel Handle
3	P6000-VC	Vandal-Resistant Control Stop Cover
4A	Varies(Z60 __,Z61 __)	Diaphragm Valve
4B	Varies(Z62 __)	Piston Valve
5	P6000-B-HP	Vacuum Breaker
6	PEMS6000-HYM-G2	ZEMS Actuator
7	PEMS6000-G	ZEMS Escutcheon
8	PEMS6000-CW-G2	Actuator Extension Cable, 24" (Optional - Max 2 per installation)
9	PEMS6000-22-G2	ZEMS Sensor Plate with fasteners
10	PEMS6000-22-KIT-G2	ZEMS Top Bracket with fasteners
11	PEMS6000-26-G2	ZEMS Sensor with top bracket and fasteners



NO.	PRODUCT NO.	DESCRIPTION
12A	P6000-A-AA-CP	Chrome Plated 1-1/2" X 8 1/2" Vacuum Breaker Assembly
	P6000-2-A-AA-CP	Chrome Plated 1-1/2" X 21" Vacuum Breaker Assembly
	P6000-3-A-AA-CP	Chrome Plated 1-1/2" X 24" Vacuum Breaker Assembly
12B	P6001-A-AA-CP	Chrome Plated 1-1/4" X 8 1/2" Vacuum Breaker Assembly
12C	P6003-A-AA-CP	Chrome Plated 3/4" X 8 1/2" Vacuum Breaker Assembly
12D	P6000-1-A-AA-RB	Rough Brass 1-1/2" X 12 1/2" Vacuum Breaker Assembly
12E	P6000-A-AA-RB	Rough Brass 1-1/2" X 5" Vacuum Breaker Assembly
12F	P6001-10-A-AA-RB	Rough Brass 1-1/4" X 10" Vacuum Breaker Assembly
12G	P6003-10-A-AA-RB	Rough Brass 3/4" X 10" Vacuum Breaker Assembly
13A	P6000-H	1 1/2" Spud Coupling Assembly
13B	P6001-H	1 1/4" Spud Coupling Assembly
13C	P6003-H	3/4" Spud Coupling Assembly
14A	P6000-QE3-RB	Rough Brass 1 1/2" Slip Elbow Assembly
14B	P6000-QE3-CP	Chrome Plated 1 1/2" Slip Elbow Assembly
15A	P6000-QT1-xx	Chrome Plated Slotless Tube
15B	P6000-QT3-xx	Rough Brass Slotless Tube
16	Varies	Rough Brass Slip Elbow

ZEMS G2 Series Replacement Parts

FLUSH VALVES

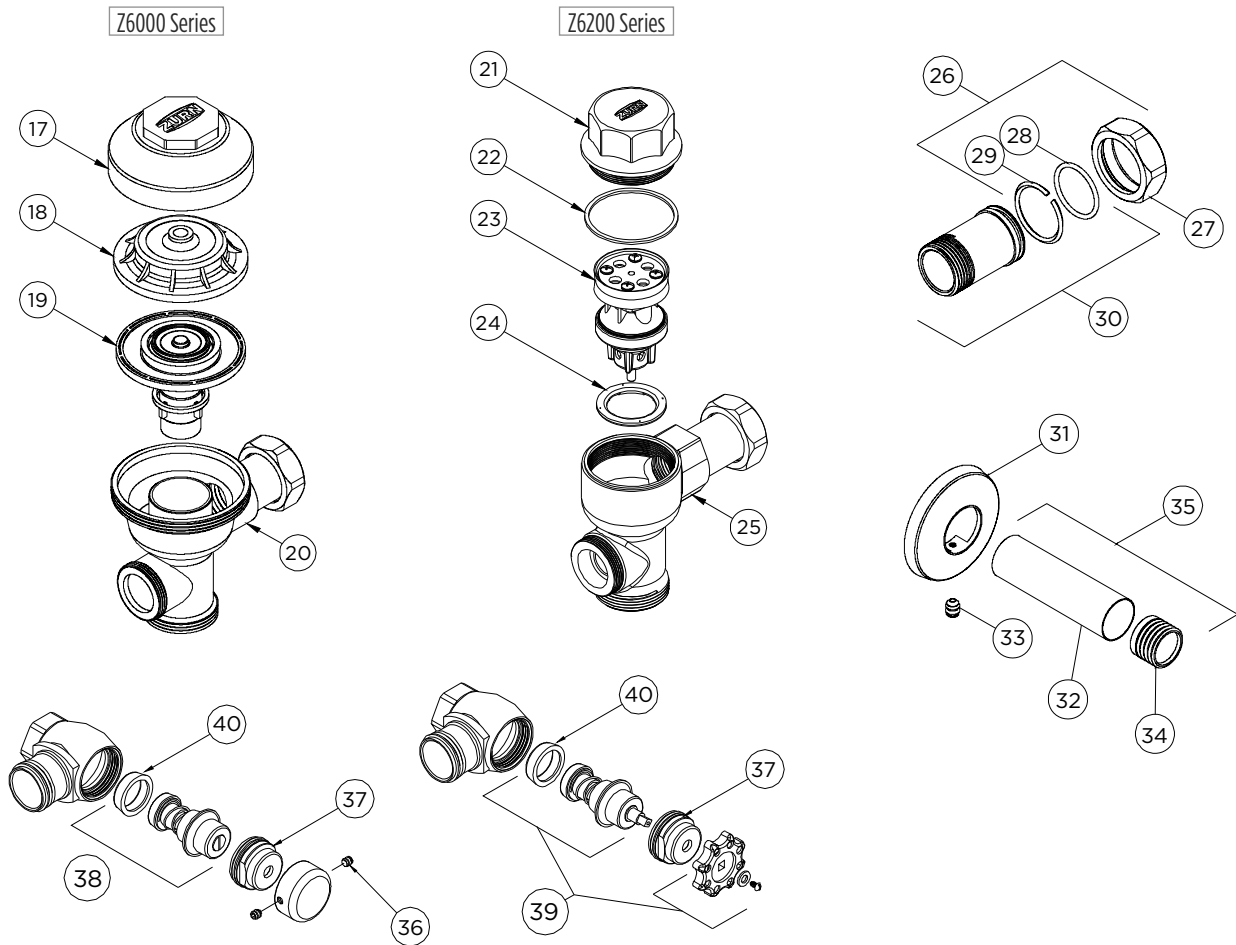
FAUCETS

TEMP-GARD®

TUBULAR BRASS

FIXTURES

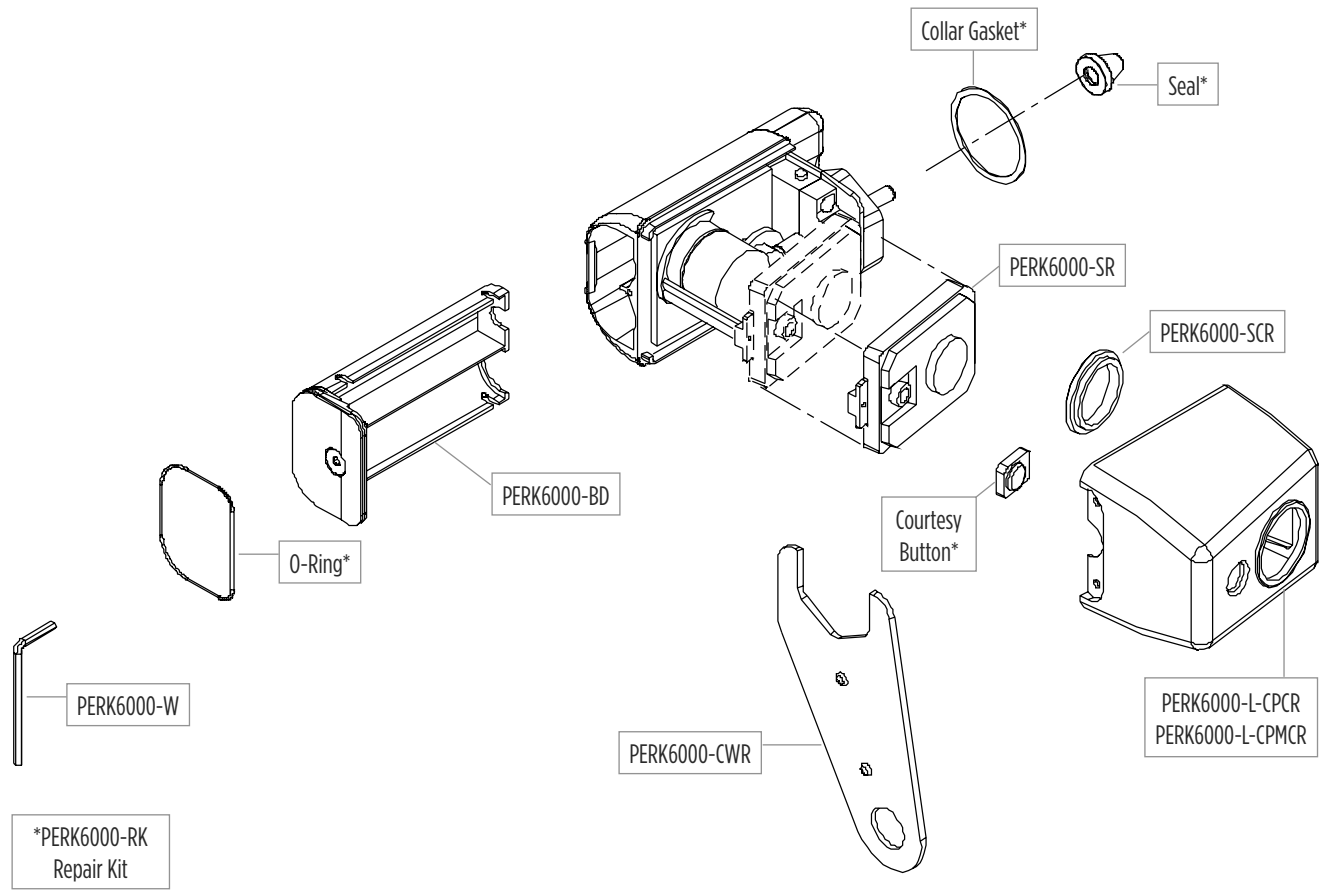
AQUAPARTS® REPAIR PARTS AND ASSEMBLIES



NO.	PRODUCT NO.	DESCRIPTION
Diaphragm Valves (Z6000 Series)		
17	P6000-LL-CP	Chrome Plated Valve Body Outside Cover
	P6000-LL-RB	Rough Brass Valve Body Outside Cover
	P6000-L	Valve Body Inside Cover
18	P6000-ECA-WS	Closet Repair Kit (3.5 gpf)
19	P6000-ECA-WS1	Low Consumption Closet Kit (1.6 gpf)
	P6000-ECA-HET	High Efficiency Closet Kit (1.28 gpf)
	P6000-EUA-WS	Urinal Repair Kit (1.5 gpf)
	P6000-EUA-WS1	Low Consumption Urinal Kit (1.0 gpf)
	P6000-EUA-EWS	High Efficiency Urinal Kit (0.5 gpf)
	P6000-EUA-ULF	Pint Urinal Kit (0.125 gpf)
20	P6000-19__	Valve Body
Piston Valves (Z6200 Series)		
21	P6200-LL	Valve Body Cover
21	P6200-L12	Valve Body Cover Gasket
23	P6200-EC	Closet Repair Kit (3.5 gpf)
	P6200-EC-WS1	Low Consumption Closet Kit (1.6 gpf)
	P6200-EC-HET	High Efficiency Closet Kit (1.28 gpf)
	P6200-EU	Urinal Repair Kit (1.5 gpf)
	P6200-EU-WS1	Low Consumption Urinal Kit (1.0 gpf)
24	P6200-E14	Main Seat
25	Varies	Valve Body

NO.	PRODUCT NO.	DESCRIPTION
Piston Valves (Z6200 Series)		
26	P6000-K	Tailpiece Coupling Assembly
27	P6000-C32-CP	Chrome Plated Locking Nut
	P6000-C32-RB	Rough Brass Locking Nut
28	P6000-C31	Tailpiece O-Ring
29	P6000-C30	Snap Ring
30	P6000-J__	Adjustable Tailpiece Assembly
31	P6000-YC	1" Cast Wall Escutcheon
	P6003-YC	3/4" Cast Wall Escutcheon
32	P6000-YB-CVR	1" Supply Cover Tube
	P6003-YB-CVR	3/4" Supply Cover Tube
33	P6000-YC-SS	Setscrew for Cast Wall Escutcheon
34	P6001-YBA	1" Sweat Solder Adapter
	P6003-YBA	3/4" Sweat Solder Adapter
35	P6001-YB	1" Sweat Solder Kit
	P6003-YB	3/4" Sweat Solder Kit
36	P6000-VC-SS	Set Screw for Control Stop Cover
37	P6000-C34-CP	Chrome Plated Stop Cap Bonnet
	P6000-C34-RB	Rough Brass Stop Cap Bonnet
38	P6000-D-SD	Stop Cap Internals
39	P6000-D-WH	Stop Cap Internals with Wheel Handle
40	P6000-D42	Stop Seat

E-Z Flush® Replacement Parts



NO.	PRODUCT NO.	DESCRIPTION
	PERK6000-L-CPCR	Chrome Plastic Cover
	PERK6000-L-CPMCR	Chrome Metal Cover
	PERK6000-SCR	Replacement Lens
	PERK6000-CWR	Handle Nut Wrench
	PERK6000-BD	Battery Drawer
	PERK6000-W	Allen Wrench
	PERK6000-SR	Sensor Module
	PERK6000-RK	Repair Kit - Includes Courtesy Button Cap, O-Ring, Collar Gasket, and Seal
	PERK6000-MRK	Handle Port Repair Kit - Includes Retainer, Collar Gasket, and Seal
	PERK6000-RK	E-Z Flush Handle Repair Kit - Battery Tray O-Ring, Handle Gasket, Seal, & Rubber Push Button

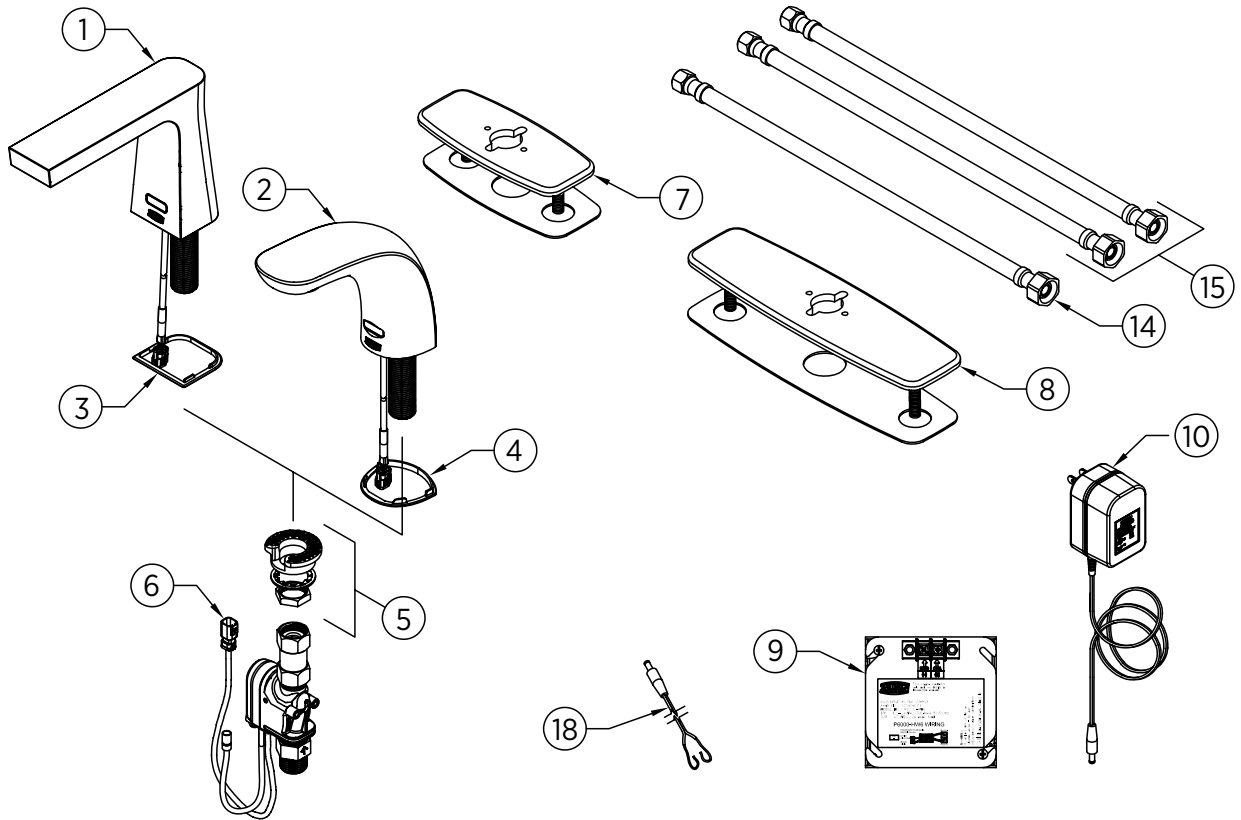
For more information, see FV237

EZ Gear Sensor Faucet Replacement Parts

FLUSH VALVES

FAUCETS

TEMP-GARD®



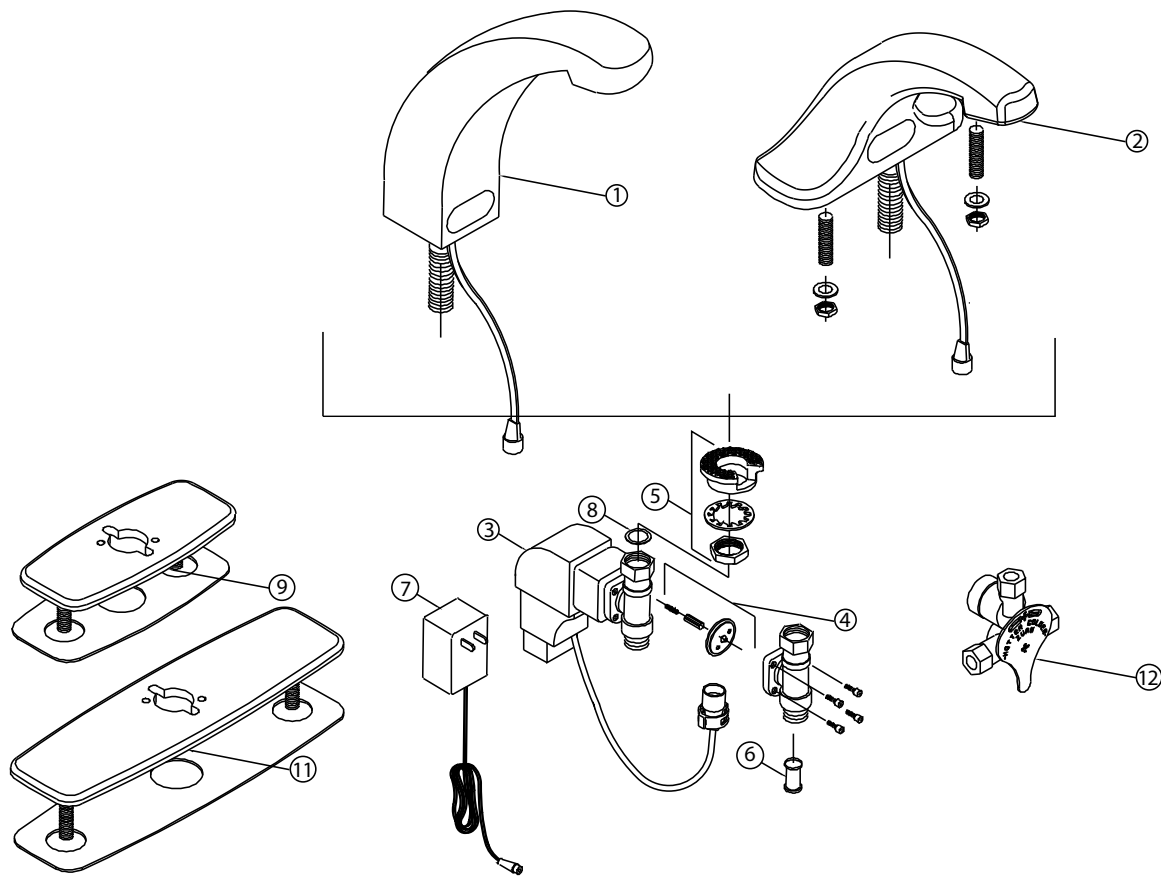
TUBULAR BRASS

FIXTURES

AQUAPARTS® REPAIR PARTS AND ASSEMBLIES

NO.	PRODUCT NO.	DESCRIPTION
1	P6953-XL-CV-1	Z6953 Spout Assembly with Sensor
2	P6956-XL-CV-1	Z6956 Spout Assembly with Sensor
3	P6953-XL-42	Z6953 Spout Base Gasket
4	P6956-XL-42	Z6956 Spout Base Gasket
5	P6900-43	Mounting Kit
6	P6950-XL-CV-B-L	Ceramic Valve
7	P6900-CP4	4" Cast Cover Plate w/Gasket
8	P6900-CP8	8" Cast Cover Plate w/Gasket
10	P6900-ACA	Plug-in Power Converter
11	P6900-XL-MV	Mixing Valve w/Filter
12	P6900-XL-MT	Mixing Tee w/Filters and Backchecks
14	P6900-SSH	Single Stainless Supply Hose (XL)
15	P6900-SSH-2	Stainless Supply Hoses (XL)
16	P6900-MV-ADAP	Composite Mixing Valve Adapter
17	P6900-SG	Shank Connection Gasket
18	P6900-CWB	-CWB Pigtail

AquaSense® E-Z Sensor - Z6913-XL and Z6915-XL Faucets Replacement Parts



NO.	PRODUCT NO.	DESCRIPTION
1	P6913-XL-1	Z6913-XL Spout Assembly with Sensor
2	P6915-XL-1	Z6915-XL Spout Assembly with Sensor
3	P6900-B-L	Electronics Box with Solenoid
4	P6900-SRK	Solenoid Rebuild Kit (Diaphragm, Plunger, and Plunger Spring)
5	P6900-43	Mounting Kit (Specify Faucet Model)
6	P6900-MV-7	Filter Screen
7	P6900-ACA	Optional Plug-in Power Converter
8	P6900-SG	Shank Connection Gasket
9	P6900-CP4	4" Cast Cover Plate with Gasket
10	P6900-CP8	8" Cast Cover Plate with Gasket

AquaSense® E-Z Sensor - Z6920-XL (Deck Mount) and Z6922-XL (Back Mount) Faucet Replacement Parts

FLUSH VALVES

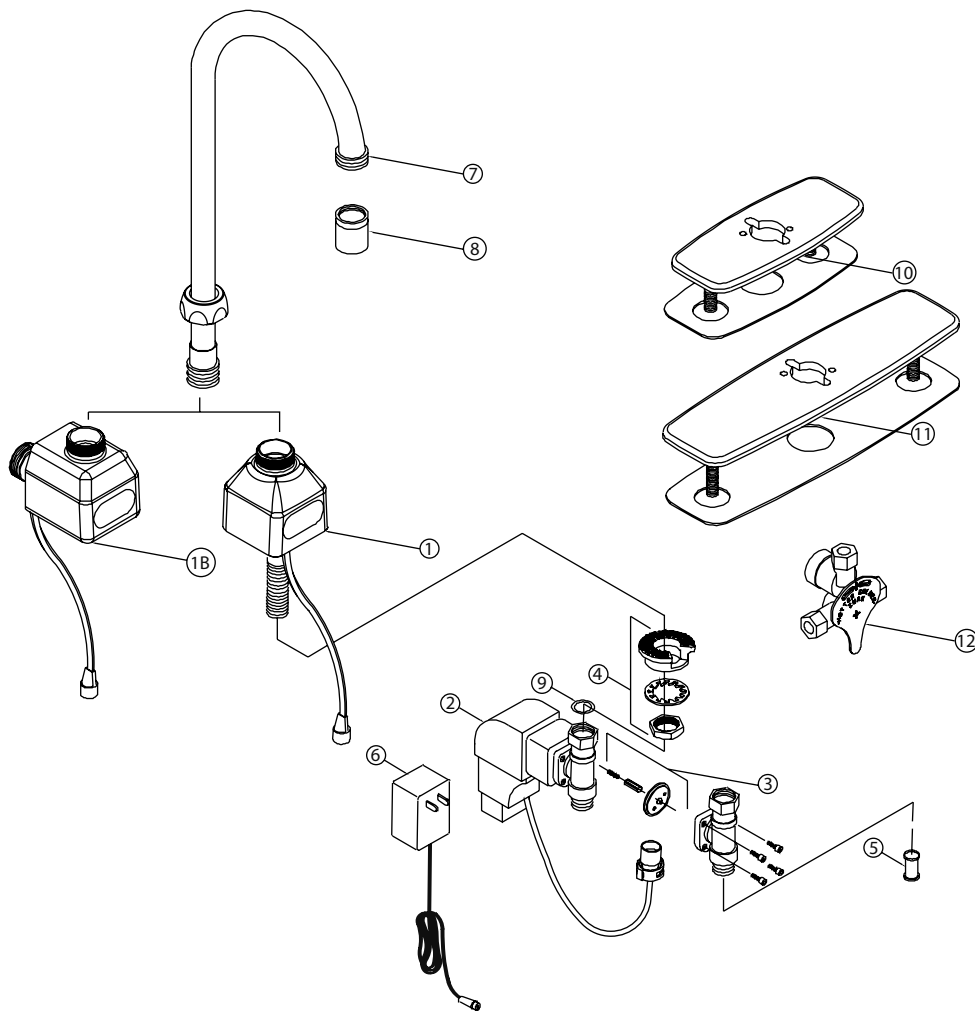
FAUCETS

TEMP-GARD®

TUBULAR BRASS

FIXTURES

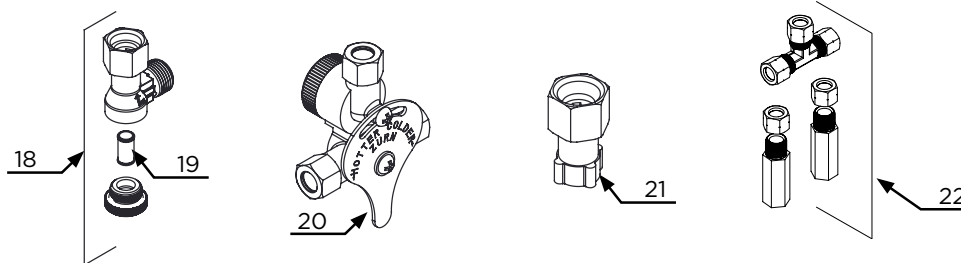
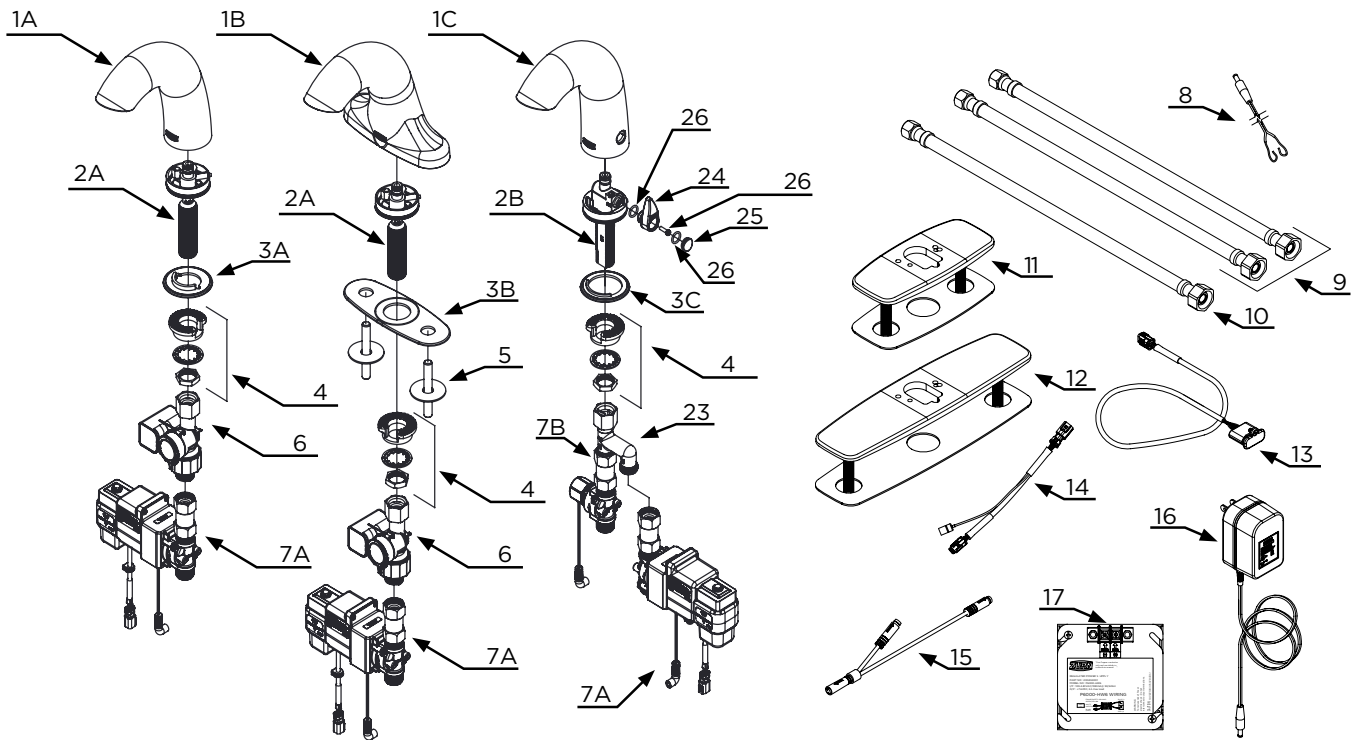
AQUAPARTS® REPAIR PARTS AND ASSEMBLIES



NO.	PRODUCT NO.	DESCRIPTION
1	P6920-XL-1	Spout Base with Sensor Assembly
2	P6900-B-L	Electronics Box with Solenoid
3	P6900-SRK	Solenoid Rebuild Kit (Diaphragm, Plunger, and Plunger Spring)
5	P6900-MV-7	Filter Screen
6	P6900-ACA	Optional Plug-in Power Converter
7	P6900-GB	5-3/8" Gooseneck Spout with Nut
8	P6900-20E-GN	1.5 GPM Vandal-Resistant Aerator
9	P6900-SG	Shank Gasket
10	P6900-CP4	4" Cast Cover Plate with Gasket
11	P6900-CP8	8" Cast Cover Plate with Gasket

For more information, see FV321

Z6950-XL-S, Z6955-XL-S and Z6950-XL-IM-S Aqua-FIT® Serio Series® Replacement Parts



NO.	PRODUCT NO.	DESCRIPTION
1a	P6950-XL-S-1	Z6950 Spout Assembly with Sensor
1b	P6955-XL-S-1	Z6955 Spout Assembly with Sensor
1c	P6950-XL-S-IM-1	Z6950-IM Spout Assembly with Sensor
2a	P6950-XL-B	Spout Shank Base for Z6950/Z6955-XL
2b	P6900-XL-IM-B	Spout Shank Base for Z6950-XL-IM
3a	P6950-XL-42	Z6950 Spout Base Gasket
3b	P6950-XL-44	Z6955 Spout Base Gasket
3c	P6950-XL-IM-43	Z6950-IM Spout Base Gasket
4	P6900-43	Mounting Kit
5	P6912-43M	Widespread Mounting Kit
6	P6900-HYD	Hydrogenerator Assembly
7a	P6950-XL-B-L-V2	Electronics Box with Solenoid - Z6950/55-XL
7b	P6950-XL-IM-B-L-V2	Electronics Box with Solenoid - Z6950-XL-IM
8	P6900-CWB	-CWB Pigtail
9	P6900-SH	Stainless Supply Hoses (XL)
10	P6900-SSH	Single Stainless Steel Hose (XL)

NO.	PRODUCT NO.	DESCRIPTION
11	P6950-CP4	4" Cast Cover Plate w/Gasket
12	P6950-CP8	8" Cast Cover Plate w/Gasket
13	P6950-XL-EL	Z6950 Sensor Assembly
14	P6950-XL-DC	Sensor Inline Connector
15	P6950-XL-YC	IM Solenoid Y Connector
16	P6900-ACA	Optional Plug-in Power Converter
18	P6900-120BC	Filter Kit
19	P6900-MV-7	Filter Screen
20	P6900-XL-MV	Mixing Valve with Filter
21	P6900-MV-ADAP	Composite Mixing Valve Adapter
22	P6900-XL-MT	Mixing Tee w/Filters and Backchecks
23	P6950-XL-Y	Y Pipe Adapter for Z6950-XL-IM
24	P6950-XL-H	Mixing Handle for Z6950-XL-IM
25	P6950-XL-C	Mixing Handle Plug/Cap for Z6950-XL-IM
26	P6950-XL-OS	Handle O-Ring and Handle Screw for Z6950-XL-IM

When ordering parts, always list product number and description.

For additional product information, please visit www.zurn.com.

ALPHANUMERIC INDEX

7000-3	95	61896001	81	G63367	79	G67991	55	P6000-A-CP	155	P6000-D-VP	153	P6000-EUR-WS	149
7000-3D	95	62301001	81	G63411	58	G67991	81	P6000-A-RB**	132	P6000-D-WH	133	P6000-EUR-WS	150
7000-6C	95	62455001	79	G63464	80	G68014	58	P6000AV-C-SD-CP	133	P6000-D-WH	148	P6000-EUR-WSI	134
7000-11D	95	62464001	80	G63504	57	G68015	57	P6000AV-C-SD-CP	155	P6000-D-WH	160	P6000-EUR-WSI	148
7000-12E	96	62705001	80	G63505	58	G68020	80	P6000-B-HP	133	P6000-E14	134	P6000-EUR-WSI	149
7000-52	95	63219001	81	G63506	58	G68046	58	P6000-B-HP	147	P6000-E14	149	P6000-EUR-WSI	150
7000-90	95	63235001	79	G63507	58	G68047	57	P6000-B-HP	148	P6000-E16	135	P6000-EUR-WSI-RK	134
7073-33	92	63234001	80	G63508	58	G68048	58	P6000-B-HP	150	P6000-E16-LP	135	P6000-EUR-WSI-RK	149
7073-80	92	63534001	79	G63510	57	G68049	51	P6000-B-HP	151	P6000-E16-WSI	135	P6000-EUR-WS-RK	134
7073-81	92	80242001	79	G63511	81	P5795-1	125	P6000-B-HP	152	P6000-ECT3	134	P6000-EUR-WS-RK	149
7080-92	93	92882001	79	G63561	58	P5795-1	144	P6000-B-HP	154	P6000-ECT3	149	P6000-FA	135
7081-92	93	93354001	79	G63533	79	P5795-2	125	P6000-B-HP	155	P6000-ECA	155	P6000-FA	154
7082-92	93	G60501	56	G65336	80	P5795-2	144	P6000-B-HP	158	P6000-ECA-HET	134	P6000-G	135
7300-RIMT	95	G60501	80	G65339	79	P5795-3	125	P6000-C30	133	P6000-ECA-HET	147	P6000-G-TUBE	135
7340-920	96	G60501	96	G65503	80	P5795-3	144	P6000-C30	135	P6000-ECA-HET	160	P6000-H	135
7342-PUA	96	G60502	79	G65505	79	P5795-4	125	P6000-C30	148	P6000-ECA-HET-RK	134	P6000-H	147
7342-PUA-STN	96	G60503	56	G65506	79	P5795-4	144	P6000-C30	149	P6000-ECA-ONE	134	P6000-H	149
7440-94FC/WK	96	G60503	80	G65508	58	P5795-5	125	P6000-C30	150	P6000-ECA-WS	134	P6000-H	150
7440-94LA	96	G60503	96	G65509	57	P5795-5	144	P6000-C30	153	P6000-ECA-WS	147	P6000-H	151
7440-94VP/WK	96	G60504	56	G65514	79	P5795-6	125	P6000-C30	160	P6000-ECA-WS	148	P6000-H	152
7500-29	96	G60504	80	G66601	57	P5795-6	144	P6000-C31	133	P6000-ECA-WS	150	P6000-H	153
58155018	81	G60504	96	G66601	77	P5795-7	125	P6000-C31	135	P6000-ECA-WS	160	P6000-H	154
58252001	79	G60508	56	G66602	58	P5795-7	144	P6000-C31	147	P6000-ECA-WSI	134	P6000-H	155
59435001	81	G60508	80	G66602	77	P5795-8	125	P6000-C31	148	P6000-ECA-WSI	147	P6000-H	159
59436001	81	G60508	96	G66604	80	P5795-8	144	P6000-C31	149	P6000-ECA-WSI	148	P6000-H26	135
59440001	79	G60515	56	G66605	80	P5795-9	125	P6000-C31	150	P6000-ECA-WSI	150	P6000-H27	135
59441001	81	G60515	80	G66618	80	P5795-9	144	P6000-C31	151	P6000-ECA-WSI	160	P6000-H28	135
59454001	80	G60522	80	G66625	57	P5795-10	125	P6000-C31	153	P6000-ECA-WSI-RK	134	P6000-HN-CP	135
59454002	80	G60522	93	G66626	58	P5795-10	144	P6000-C31	160	P6000-ECA-WS-RK	134	P6000-HN-CP	152
59454003	80	G60523	81	G66678	80	P6000-1-A-AA-CP	132	P6000-C32	149	P6000-ECA-PP	134	P6000-HN-RB	135
59459001	81	G60525	58	G66679	80	P6000-1-A-AA-RB	159	P6000-C32	153	P6000-ECA-ONE	134	P6000-HN-RB	148
59460001	81	G60526	55	G66681	80	P6000-1-A-CP	132	P6000-C32-CP	133	P6000-ECA-WS	134	P6000-HNS-CP	135
59517005	79	G60526	81	G66682	80	P6000-1-A-CP	152	P6000-C32-CP	135	P6000-ECA-WS	134	P6000-HNS-RB	135
59517006	79	G60528	80	G66683	80	P6000-1-A-RB**	132	P6000-C32-CP	150	P6000-ECA-WS	148	P6000-HW6	12
59517007	79	G60530	79	G66684	80	P6000-1-TPO	25	P6000-C32-CP	160	P6000-ECA-WS	149	P6000-HW6	19
59517008	79	G60548	80	G66695	57	P6000-2-A-AA-CP	132	P6000-C32-G-CP	133	P6000-ECA-WS	150	P6000-HW6	44
59532001	79	G60551	80	G66696	57	P6000-2-A-AA-CP	159	P6000-C32-G-CP	135	P6000-ECA-WSI	134	P6000-HW6	50
59666001	81	G60553	81	G66697	57	P6000-2-A-CP	132	P6000-C32-G-RB	133	P6000-ECA-WSI	148	P6000-HW6	51
60077001	79	G60554	81	G66698	58	P6000-2-A-RB	132	P6000-C32-G-RB	135	P6000-ECA-WSI	149	P6000-HW6	142
60078001	79	G60555	81	G66699	58	P6000-2-TPO	25	P6000-C32-RB	133	P6000-ECA-WSI	150	P6000-HW6	145
60080002	79	G60558	80	G66700	57	P6000-3-A-AA-CP	132	P6000-C32-RB	135	P6000-ECA-WSI-RK	134	P6000-HW6	155
60082001	79	G60561	80	G66701	58	P6000-3-A-AA-CP	159	P6000-C32-RB	148	P6000-ECA-WSI-RK	149	P6000-HW6	156
60144001	79	G60561	93	G67788	93	P6000-3-A-CP	132	P6000-C32-RB	160	P6000-ECA-WS-RK	134	P6000-HW6	157
60145001	79	G60562	80	G67800	93	P6000-3-A-RB**	132	P6000-C33-WH	133	P6000-ECA-WS-RK	149	P6000-J	160
60145002	79	G60573	56	G67812	56	P6000-17-A-RB**	132	P6000-C34-CP	133	P6000-EER	134	P6000-JI	135
60146001	79	G60573	80	G67815	58	P6000-18A-015	132	P6000-C34-CP	160	P6000-EG	134	P6000-JI	147
60147001	79	G60574	56	G67817	57	P6000-19	140	P6000-C34-RB	133	P6000-EGR	134	P6000-JI	149
60148001	79	G60574	80	G67851	55	P6000-19	160	P6000-C34-RB	160	P6000-EGU-WSI	134	P6000-JI	150
60249352	79	G60576	56	G67851	81	P6000-19-JI	140	P6000-C36-RB	138	P6000-EG-WSI	134	P6000-JI	151
60382001	79	G60576	80	G67852	55	P6000-19-RB	140	P6000-C36-RB	148	P6000-ER15	134	P6000-JI	153
60383001	79	G61071	56	G67852	57	P6000-22A-01.0**	132	P6000-C-SD-CP	133	P6000-ER15	149	P6000-JI	155
60444001	79	G61071	80	G67853	55	P6000-22A-01.5**	132	P6000-C-SD-CP	147	P6000-EU13	134	P6000-JI-RB	148
60444002	79	G61072	56	G67853	81	P6000-24A-01.0	132	P6000-C-SD-CP	150	P6000-EU13	149	P6000-J6	135
60445001	79	G61072	80	G67856	81	P6000-24A-01.5	132	P6000-C-SD-CP	151	P6000-EUA	155	P6000-J7	135
60455001	79	G61073	79	G67857	81	P6000-24A-02.0	132	P6000-C-SD-CP	154	P6000-EUA-EWS	134	P6000-J10	10
60460001	80	G61080	79	G67858	81	P6000-30-A-AA-CP	132	P6000-C-SD-CP	158	P6000-EUA-EWS	147	P6000-J10	37
60460002	80	G6138	58	G67866	81	P6000-30-A-CP	132	P6000-C-WH-CP	133	P6000-EUA-EWS	160	P6000-J10	38
60460003	80	G61640	80	G67867	81	P6000-30-A-RB**	132	P6000-C-WH-CP	158	P6000-EUA-EWS-RK	134	P6000-J10	135
60467001	79	G61641	80	G67868	81	P6000-36-A-AA-CP	132	P6000-C-WH-RB	133	P6000-EUA-ULF	134	P6000-J11	135
60467002	79	G61754	80	G67869	81	P6000-36-A-CP	132	P6000-C-WH-RB	148	P6000-EUA-ULF	147	P6000-K	153
60505001	79	G61830	80	G67889	80	P6000-A	147	P6000-C-WH-RB	150	P6000-EUA-ULF	160	P6000-K	160
60510001	81	G61859	79	G67890	55	P6000-A	149	P6000-C-WH-RB	158	P6000-EUA-ULF-RK	134	P6000-KWK-TURN	135
60524001	79	G61920	81	G67890	55	P6000-A	150	P6000-D35	133	P6000-EUA-WS	134	P6000-L	136
60549001	81	G61922	81	G67891	55	P6000-A-AA-CP	132	P6000-D42	133	P6000-EUA-WS	147	P6000-L	147
60807001	79	G61924	81	G67891	81	P6000-A-AA-CP	159	P6000-D42	149	P6000-EUA-WS	148	P6000-L	148
60816001	79	G61928	81	G67892	55	P6000-A-AA-RB	159	P6000-D42	151	P6000-EUA-WS	150	P6000-L	148
60951001	81	G61994	93	G67892	81	P6000-AA-CP	132	P6000-D42	153	P6000-EUA-WS	160	P6000-L	149
61276002	79	G61995	81	G67894	55	P6000-AA-CP	147	P6000-D42	154	P6000-EUA-WSI	134	P6000-L	150
61276003	79	G62619	57	G67894	81	P6000-AA-CP	151	P6000-D42	155	P6000-EUA-WSI	147	P6000-L	155
61283002	79	G62620	57	G67898	79	P6000-AA-CP	152	P6000-D42	160	P6000-EUA-WSI	148	P6000-L	160
61319001	79	G62621	57	G67922	79	P6000-AA-CP	154	P6000-D-SD	133	P6000-EUA-WSI	150	P6000-LL-CP	136
61406001	79	G62738	77	G67923	79	P6000-AA-CP	155	P6000-D-SD	147	P6000-EUA-WSI	160	P6000-LL-CP	147
61488001	79	G62740	77	G67963	55	P6000-AA-RB	132	P6000-D-SD	149	P6000-EUA-WSI-RK	134	P6000-LL-CP	149
61534001	79	G63237	80	G67963	81	P6000-ACA-BA	155	P6000-D-SD	150	P6000-EUA-WS-RK	134	P6000-LL-CP	150
61602001	79	G63241	79	G67983	81	P6000-ACA-BA	156	P6000-D-SD	151	P6000-EUR-EWS	134	P6000-LL-CP	155
61625001	79	G63258	57	G67984	81	P6000-ACA-BA	157	P6000-D-SD	153	P6000-EUR-EWS-RK	134	P6000-LL-CP	160
61625002	79	G63272	79	G67985	81	P6000-A-CP	132	P6000-D-SD	155	P6000-EUR-PP	134	P6000-LL-RB	136
61699001	77	G63364	80	G67986	81	P6000-A-CP	151	P6000-D-SD	160	P6000-EUR-WS	134	P6000-LL-RB	148
61766001	79	G63366	79	G67987	81	P6000-A-CP	154	P6000-D-VP	149	P6000-EUR-WS	148	P6000-LL-RB	148

P6000-LL-RB	160	P6000-NL3-12.75L	137	P6000-QT1-8-CP	139	P6003-1-A-CP**	132	P6200-LL	160	P6900-CWB	162	P6930-20M	144
P6000-LLS	136	P6000-NL3-13.75L	137	P6000-QT1-10-CP	139	P6003-1-A-RB	132	P6200-LL-CG	136	P6900-CWB	162	P6930-20N	50
P6000-MI-CP	136	P6000-NL3-14.75L	137	P6000-QT1-12-CP	139	P6003-2-A-AA-CP	132	P6200-LL-CG	151	P6900-CWB-1	145	P6930-20N	144
P6000-MI-RB	136	P6000-NL3-7.5L	137	P6000-QT1-16-CP	139	P6003-2-A-CP	132	P6200-LL-CP	136	P6900-GA	51	P6950-43	146
P6000-MI-RB	138	P6000-NL-4.75L	137	P6000-QT1-18-CP	139	P6003-3-A-AA-CP**	132	P6200-LL-CP	151	P6900-GA	146	P6950-CP4	44
P6000-M4	136	P6000-NL-5.75L	137	P6000-QT1-XX	159	P6003-3-A-CP**	132	P6200-MS	136	P6900-GB	51	P6950-CP4	146
P6000-M4	138	P6000-NL-6.75L	137	P6000-QT3-4-RB	139	P6003-10-A-AA-RB	159	P6200-MS	151	P6900-GB	146	P6950-CP4	165
P6000-M4-ADA	136	P6000-NL-7.75L	137	P6000-QT3-6-RB	139	P6003-10-A-RB	132	P6203-EU-EWS	136	P6900-GB	164	P6950-CP4-1	146
P6000-M4-BG	136	P6000-NL-8.75L	137	P6000-QT3-8-RB	139	P6003-A-AA-CP	132	P6203-EU-WS	151	P6900-GC	51	P6950-CP8	44
P6000-M9	136	P6000-NL-9.75L	137	P6000-QT3-10-RB	139	P6003-A-AA-CP	159	P6203-EU-WS1	151	P6900-GC	146	P6950-CP8	146
P6000-M9	138	P6000-NL-10.75L	137	P6000-QT3-12-RB	139	P6003-A-CP	132	P6900-20E-GN	50	P6900-HYD	50	P6950-CP8	165
P6000-M9	148	P6000-NL-11.75L	137	P6000-QT3-16-RB	139	P6003-A-CP	151	P6900-20E-GN	144	P6900-HYD	165	P6950-CP8-2	146
P6000-M9	149	P6000-NL-12.75L	137	P6000-QT3-18-RB	139	P6003-A-CP	155	P6900-20E-GN	164	P6900-MV-4	145	P6950-SRK-V2	146
P6000-M10	136	P6000-NL-13.75L	137	P6000-QT3-XX	159	P6003-A-RB**	132	P6900-20ES	50	P6900-MV-5	145	P6950-XL-42	165
P6000-M10	136	P6000-NL-14.75L	137	P6000-QT4	139	P6003AV-C-SD-CP	133	P6900-20ES	144	P6900-MV-6	145	P6950-XL-44	44
P6000-M10	138	P6000-NYW2	138	P6000-QT4	140	P6003-B-HP	133	P6900-20F-GN	50	P6900-MV-7	145	P6950-XL-44	146
P6000-M10	147	P6000-NYW3	138	P6000-TPF	25	P6003-C-SD-CP	133	P6900-20F-GN	144	P6900-MV-7	163	P6950-XL-44	165
P6000-M10	148	P6000-NYW-3.75L	137	P6000-TPF	140	P6003-C-SD-CP	147	P6900-20FS	50	P6900-MV-7	164	P6950-XL-B	44
P6000-M10	149	P6000-NYW-4.75L	137	P6000-TPO	25	P6003-C-SD-CP	150	P6900-20FS	144	P6900-MV-7	165	P6950-XL-B	146
P6000-M10	151	P6000-NYW-5.75L	137	P6000-VC	133	P6003-C-SD-CP	151	P6900-20GN	144	P6900-MV-8	145	P6950-XL-B	165
P6000-M10	155	P6000-NYW-6.75L	137	P6000-VC	147	P6003-C-SD-CP	158	P6900-20J-GN	50	P6900-MV-9	45	P6950-XL-B-LV2	44
P6000-M10	156	P6000-NYW-7.75L	137	P6000-VC	154	P6003-C-SD-RB	158	P6900-20J-GN	144	P6900-MV-ADAP	151	P6950-XL-B-LV2	146
P6000-M10	157	P6000-NYW-8.75L	137	P6000-VC	155	P6003-C-WH-CP	133	P6900-20JS	50	P6900-MV-ADAP	145	P6950-XL-B-LV2	165
P6000-M-ADA	136	P6000-NYW-9.75L	137	P6000-VC	158	P6003-C-WH-CP	158	P6900-20JS	144	P6900-MV-ADAP	162	P6950-XL-C	44
P6000-M-ADA	136	P6000-NYW-10.75L	137	P6000-VC-SS	133	P6003-C-WH-RB	133	P6900-20K-GN	50	P6900-MV-ADAP	165	P6950-XL-C	146
P6000-M-ADA	147	P6000-NYW-11.75L	137	P6000-VC-SS	160	P6003-C-WH-RB	148	P6900-20K-GN	144	P6900-MVF-8	145	P6950-XL-C	165
P6000-M-ADA	149	P6000-NYW-12.75L	138	P6000-VC-W-VP	133	P6003-C-WH-RB	150	P6900-20L-GN	50	P6900-MV-XL	51	P6950-XL-CV-B-L	162
P6000-M-ADA	151	P6000-NYW-13.75L	138	P6000-YB	140	P6003-C-WH-RB	158	P6900-20L-GN	144	P6900-MV-XL	145	P6950-XL-DC	44
P6000-M-ADA-BG	136	P6000-NYW-14.75L	138	P6000-YB	149	P6003-D-SD	133	P6900-20LS	50	P6900-RK-W1	49	P6950-XL-DC	146
P6000-M-ADA-BG-DF	136	P6000-P3	138	P6000-YBA	140	P6003-D-WH	133	P6900-20LS	144	P6900-RK-W2	48	P6950-XL-DC	165
P6000-M-ADA-DF	136	P6000-P3	152	P6000-YBA	148	P6003-G	135	P6900-20M-GN	50	P6900-SG	145	P6950-XL-EL	44
P6000-M-AV-ADA	136	P6000-P4	138	P6000-YBA	154	P6003-H	135	P6900-20M-GN	144	P6900-SG	145	P6950-XL-EL	146
P6000-MH	136	P6000-P4	152	P6000-YBA	155	P6003-H	147	P6900-20MS	50	P6900-SG	146	P6950-XL-EL	165
P6000-MH	149	P6000-P8	138	P6000-YB-CVR	140	P6003-H	149	P6900-20MS	144	P6900-SG	162	P6950-XL-H	44
P6000-MHK	136	P6000-P8	152	P6000-YB-CVR	160	P6003-H	150	P6900-20MS	144	P6900-SG	163	P6950-XL-H	146
P6000-MHK	149	P6000-P8-1	138	P6000-YB-CVR6	155	P6003-H	151	P6900-20WR	144	P6900-SG	164	P6950-XL-H	165
P6000-MJ	12	P6000-P8-1	152	P6000-YB-CVR7	38	P6003-H	153	P6900-21	144	P6900-SH	51	P6950-XL-IM-43	165
P6000-MJ	19	P6000-P8-3	138	P6000-YB-CVR7	140	P6003-H	154	P6900-21	144	P6900-SH	165	P6950-XL-IM-B	44
P6000-MJ	142	P6000-P15	138	P6000-YB-CVR36	38	P6003-H	155	P6900-43	162	P6900-SH-XL	145	P6950-XL-IM-B	146
P6000-MJ	145	P6000-P15	152	P6000-YB-CVR36	140	P6003-H	159	P6900-43	163	P6900-SRK	145	P6950-XL-IM-B-LV2	44
P6000-MJ	156	P6000-P15-L0	138	P6000-YB-CVR36	140	P6003-H26	135	P6900-43	165	P6900-SRK	145	P6950-XL-IM-B-LV2	146
P6000-MJ	157	P6000-P15-L0	152	P6000-YBYC	147	P6003-H27	135	P6900-43	145	P6900-SRK	146	P6950-XL-IM-B-LV2	165
P6000-MK	136	P6000-PC6	142	P6000-YBYC	150	P6003-H28	135	P6900-43	165	P6900-SRK	163	P6950-XL-IM-SPOUT	44
P6000-MK	136	P6000-PN18	138	P6000-YBYC	151	P6003-HN-CP	135	P6900-ACA	50	P6900-SRK	164	P6950-XL-IM-SPOUT	146
P6000-MK	147	P6000-PN18	152	P6000-YBYC	153	P6003-HN-RB	135	P6900-ACA	145	P6900-SSH	51	P6950-XL-OS	44
P6000-MK	149	P6000-PN19	138	P6000-YBYC	154	P6003-HN-RB	148	P6900-ACA	162	P6900-SSH	145	P6950-XL-OS	146
P6000-MK	151	P6000-PN19	152	P6000-YBYC	155	P6003-QFC-25	139	P6900-ACA	163	P6900-SSH	162	P6950-XL-OS	165
P6000-ML	136	P6000-PN20	138	P6000-YBYC	158	P6003-YB	149	P6900-ACA	164	P6900-SSH	165	P6950-XL-S-1	44
P6000-ML3	136	P6000-PN20	152	P6000-YC	140	P6003-YB	160	P6900-ACA	165	P6900-SSH-2	145	P6950-XL-S-1	146
P6000-ML3-4	136	P6000-PN21	138	P6000-YC	155	P6003-YB	160	P6900-ACA-BA	12	P6900-SSH-2	162	P6950-XL-S-1	165
P6000-ML3-4	138	P6000-PN21	152	P6000-YC	160	P6003-YBA	140	P6900-ACA-BA	19	P6900-SSH-3	145	P6950-XL-S-IM-1	44
P6000-ML4	136	P6000-PN22	138	P6000-YC-SS	160	P6003-YBA	160	P6900-ADM-1-H4-XL	145	P6900-TMV-1-XL	51	P6950-XL-S-IM-1	146
P6000-ML4	138	P6000-PN22	152	P6000-YE	140	P6003-YB-CVR	140	P6900-ADM-1-XL	51	P6900-TMV-1-XL	145	P6950-XL-S-IM-1	165
P6000-MYW	136	P6000-QE1-CP	139	P6000-YJ	140	P6003-YB-CVR	160	P6900-ADM-1-XL	145	P6900-XL-IM-B	165	P6950-XL-SPOUT	44
P6000-MYW4	136	P6000-QE2-CP	139	P6000-YJ2	140	P6003-YB-CVR7	38	P6900-ADM-2-H4-XL	145	P6900-XL-MT	162	P6950-XL-SPOUT	146
P6000-MYW4	138	P6000-QE3-CP	139	P6000-YK	140	P6003-YB-CVR7	140	P6900-ADM-2-XL	51	P6900-XL-MT	165	P6950-XL-Y	44
P6000-N	148	P6000-QE3-CP	159	P6000-YK	140	P6003-YB-CVR36	38	P6900-ADM-2-XL	145	P6900-XL-MV	162	P6950-XL-Y	146
P6000-NI	138	P6000-QE3-RB	139	P6000-YK8	140	P6003-YB-CVR36	140	P6900-ADM-H4-XL	145	P6900-XL-MV	165	P6950-XL-Y	165
P6000-NIB	138	P6000-QE3-RB	159	P6000-YK12	140	P6003-YBYC	140	P6900-ADM-XL	51	P6912-45M	165	P6950-XL-YC	44
P6000-NIB-W	138	P6000-QE6-RB	139	P6001-1-A-AA-CP**	132	P6003-YBYC	147	P6900-ADM-XL	145	P6913-WEDGE	145	P6950-XL-YC	146
P6000-N3	138	P6000-QE6	148	P6001-1-A-CP**	132	P6003-YBYC	151	P6900-BAT-AA	145	P6913-XL-1	145	P6950-XL-YC	165
P6000-N-3.75L	137	P6000-QFC-1	139	P6001-2-A-AA-CP	132	P6003-YBYC	154	P6900-BAT-AA	145	P6913-XL-1	163	P6953-XL-42	162
P6000-N3B	138	P6000-QFC-2	139	P6001-2-A-CP	132	P6003-YBYC	158	P6900-BAT-AA	146	P6915-MOUNTING-KIT	145	P6953-XL-CV-1	162
P6000-N-4.75L	137	P6000-QFC-3	139	P6001-3-A-AA-CP**	132	P6003-YC	140	P6900-B-BD	145	P6915-WEDGE	145	P6955-XL-S-1	44
P6000-N-5.75L	137	P6000-QFC-4	139	P6001-3-A-CP**	132	P6003-YC	160	P6900-B-BD	145	P6915-XL-1	145	P6955-XL-S-1	146
P6000-N-6.75L	137	P6000-QFC-5	139	P6001-10-A-AA-RB	159	P6003-YC	140	P6900-B-L	145	P6915-XL-1	163	P6955-XL-S-1	165
P6000-N-7.75L	137	P6000-QFC-6	139	P6001-10-A-RB	132	P6003-YE	140	P6900-B-L	145	P6920-XL-1	146	P6955-XL-SPOUT	44
P6000-N-8.75L	137	P6000-QFC-7	139	P6001-A-AA-CP	132	P6017-ECR	135	P6900-B-L	146	P6920-XL-1	164	P6955-XL-SPOUT	146
P6000-N-9.75L	137	P6000-QFC-8	139	P6001-A-AA-CP	159	P6019-SC-1	36	P6900-B-L	146	P6922-43	146	P6956-XL-42	162
P6000-N-10.75L	137	P6000-QFC-10	139	P6001-A-CP	132	P6019-SC-1	140	P6900-B-L	163	P6922-XL-1	146	P6956-XL-CV-1	162
P6000-N-11.75L	137	P6000-QFC-11	139	P6001-A-CP	151	P6019-SC-2	36	P6900-B-L	164	P6922-XL-1	146	P6956-XL-CV-1	162
P6000-N-12.75L	137	P6000-QFC-12	139	P6001-A-CP	151	P6019-SC-2	140	P6900-CP4	51	P6920-20E	44	PEMS6000-22-G2	158
P6000-N-13.75L	137	P6000-QFC-13	139	P6001-G-TUBE	135	P6019-VPW	140	P6900-CP4	145	P6930-20E	50	PEMS6000-22-KIT-G2	158
P6000-N-14.75L	137	P6000-QFC-14	139	P6001-H	135	P6200-E14	160	P6900-CP4	162	P6930-20E	144	PEMS6000-26	142
P6000-NK	138	P6000-QFC-15	139	P6001-H	147	P6200-EC	160	P6900-CP4	163	P6930-20F	144	PEMS6000-26	156
P6000-NK	148	P6000-QFC-16	139	P6001-H	149	P6200-EC-HET	136	P6900-CP4	164	P6930-20F	50	PEMS6000-26A	142
P6000-NL	148	P6000-QFC-17	139	P6001-H	150	P6200-EC-HET	151	P6900-CP4-1	145	P6930-20F	144	PEMS6000-26A	157
P6000-NL3	148	P6000-QFC-18	139	P6001-H	151	P6200-EC-HET	160	P6900-CP4-GSK	145	P6930-20J	144	PEMS6000-26-G2	158
P6000-NL3-3.75L	137	P6000-QFC-19	139	P6001-H	159	P6200-EC-WS	136	P6900-CP8	51	P6930-20J	50	PEMS6000-CON-KIT	142
P6000-NL3-4.75L	137	P6000-QFC-20	139	P6001-H	147	P6200-EC-WS	151	P6900-CP8	145	P6930-20J	144	PEMS6000-CW-G2	158
P6000-NL3-5.75L	137	P6000-QFC-21	139	P6001-H	149	P6200-EC-WS1	136	P6900-CP8	162	P6930-20K	44	PEMS6000-FM12	142
P6000-NL3-6													

PEMS6000-HYM-IS	142	PH6000-HY36	141	RK7000-50BN	95	Z800J2-XL-AF-11F	75	Z831S3-XL	65	Z87302-EVB-HK-SE-SH	77	Z5615-BWL-AM	117
PEMS6000-HYM-IS	155	PH6000-HY37	141	RK7000-50C	95	Z800J2-XL-AF-11F	77	Z831S4-XL	65	Z873P2-HK-SE-SH	73	Z5616-BWL	117
PEMS6000-HYM-IS	156	PH6000-HYA11	141	RK7000-50EXT	95	Z800J2-XL-AF-11F	77	Z831U1-XL	65	Z873P2-HK-SE-SH	77	Z5617-BWL	117
PEMS6000-HYM-IS	157	PH6000-HYA11	150	RK7000-50FL	95	Z800PO-HK-SE	76	Z831U2-XL	65	Z875B2	66	Z5635-BWL	117
PEMS6000-HYM-IS-FM12	142	PH6000-HYA-FW	141	RK7000-100	95	Z800X0-XL-AF-PR1	77	Z831U4-XL	65	Z875F1	66	Z5637-BWL	117
PEMS6000-IS-CW	142	PH6000-HYA-SW	141	RK7000-110	95	Z800X0-XL-PR1	77	Z841A1-XL	68	Z875PF15F	77	Z5645-BWL	117
PEMS6000-IS-CW	155	PH6000-HYL3-FW	141	RK7000-120	95	Z812A1-XL	60	Z841B1-XL	68	Z875L2	73	Z5646-BWL	117
PER6000-EC	153	PH6000-HYL3-FW	150	RK7000-180	95	Z812A3-XL	60	Z841F1-XL	68	Z875L2	77	Z5647-BWL	117
PER6000-M-RING	153	PH6000-HYL-MB	141	RK7000-200	95	Z812A4-XL	60	Z841F1-XL-15F	74	Z875J2	66	Z5655-BWL1	117
PER6000-M-RING-S	153	PH6000-HYL-MB	150	RK7073-50	95	Z812B1-XL	60	Z841G1-XL	68	Z877P2-LKS-HK-SH2	73	Z5657-BWL1	117
PER6003-EU	153	PH6000-HYLP-MBP	34	RK7300-11AE-001	95	Z812B1-XL-15F	74	Z841G1-XL-15F	74	Z877P2-LKS-HK-SH2	77	Z5665-BWL1	118
PER6003-EU-ULF	153	PH6000-HYLP-MBP	141	RK7300-11AE-002	95	Z812B3-XL	60	Z841H1-XL	68	Z1240-EZR	114	Z5666-BWL-AM	118
PERK6000-BD	142	PH6000-HYLP-MBP	150	RK7300-11AV	95	Z812B4-XL	60	Z841H1-XL-15F	74	Z1240-EZR-WL	114	Z5675-BWL	118
PERK6000-BD	161	PH6000-HYM	141	RK7300-50A	95	Z812C1-XL	60	Z841I1-XL	68	Z5001.01	114	Z5681	118
PERK6000-BUTTON	142	PH6000-HYMI1	141	RK7300-CART-3P	95	Z812C3-XL	60	Z841J1-XL	68	Z5001.01	114	Z5691	118
PERK6000-BUTTON-HARD	142	PH6000-SHYL3-SW	141	RK7300-EXT	95	Z812C4-XL	60	Z841J1-XL-15F	74	Z5001.02	114	Z5708-U	120
PERK6000-CWR	142	PH6000-SHYL3-SW	150	RK7300-LH	91	Z812C4-XL-15F	74	Z841K1-XL	68	Z5001.02	114	Z5730	120
PERK6000-CWR	161	PTR6200-24	143	RK7300-LH	95	Z812F1-XL	61	Z841L1-RC	68	Z5001.03	114	Z5738-U	120
PERK6000-L-1.1	153	PTR6200-24	143	RK7300-WF	91	Z812F4-XL	61	Z841L1-XL	68	Z5001.03	114	Z5755-U	120
PERK6000-L-1.1-S	153	PTR6200-24	154	RK7300-WF	95	Z812G1-XL	61	Z841L2-XL	68	Z5003.01	114	Z5758-U	120
PERK6000-L-1.6	153	PTR6200-BAT-LITH	143	RK7440-3	96	Z812G3-XL	61	Z841M1-RC	68	Z5003.02	114	Z5759-U	120
PERK6000-L-1.6/1.1	153	PTR6200-BATT	143	RK7440-36W	96	Z812G4-XL	61	Z841M1-RC	68	Z5003.03	114	Z5765-U	120
PERK6000-L-1.6/1.1-S	153	PTR6200-EC	143	RK7440-90	96	Z812H1-XL	61	Z841X1-XL	75	Z5004.01	114	Z5795	120
PERK6000-L-1.6-S	153	PTR6200-EC	143	RK7440-94SO	96	Z812H3-XL	61	Z842A1-XL	63	Z5004.01	114	Z5834	122
PERK6000-L-1.28	153	PTR6200-EC	154	RK7440-CART	96	Z812H4-XL	61	Z842A4-XL	63	Z5004.02	114	Z5840-BKT	125
PERK6000-L-1.28-S	153	PTR6200-FA	143	RK7440-HK	96	Z812J1-XL	61	Z842B1-XL	63	Z5004.02	114	Z5841	122
PERK6000-L-CPCR	142	PTR6200-HSA	143	RK7440-LH	96	Z812J3-XL	61	Z842B2-XL	63	Z5004.03	114	Z5844	122
PERK6000-L-CPCR	161	PTR6200-HSA	143	RK7500-50A	95	Z812J4-XL	61	Z842B4-XL	63	Z5004.03	114	Z5848	122
PERK6000-L-CPMCR	142	PTR6200-HSA	154	RK7500-200	95	Z812J4-XL-WM	66	Z842C1-XL	63	Z5005.01	114	Z5850	123
PERK6000-L-CPMCR	161	PTR6200-HW-L-0.25	143	RK7872C-94FC	96	Z812S1-XL	62	Z842C4-XL	63	Z5005.01	114	Z5850-D2	125
PERK6000-MO	142	PTR6200-HW-TUBE	143	RK7872C-94LA	96	Z812S3-XL	62	Z842D6-2XT-LSI	69	Z5005.02	114	Z5850-D3	125
PERK6000-MRK	142	PTR6200-HW-TUBE-1	143	RK7872C-94VP	96	Z812S4-XL	62	Z842D6-5XT-LSI	69	Z5005.02	114	Z5850-L2	125
PERK6000-MRK	161	PTR6200-L-0.5	143	RK7872C-XL-3	96	Z812U1-XL	62	Z842D6-LSH-LVB-PE-2XT	69	Z5005.03	114	Z5850-RG	125
PERK6000-RK	142	PTR6200-L-0.5-VR	143	RK7872C-XL-6	96	Z812U4-XL	62	Z842D6-LSH-LVB-PE-5XT	69	Z5005.03	114	Z5880-BKT	125
PERK6000-RK	161	PTR6200-L-0.5-VR	154	RK7872C-XL-21	96	Z812A0-XL	66	Z842F1-XL	63	Z5006.01	114	Z5888	123
PERK6000-RK	161	PTR6200-L-0.5-W2	14	RK7872C-XL-CART	96	Z812A0-XL-WM	66	Z842F1-XL-15F	74	Z5006.01	114	Z5890-BKT	125
PERK6000-SCR	142	PTR6200-L-0.25	143	RK7872C-XL-DV	96	Z812B0-XL	66	Z842F2-XL	63	Z5006.02	114	Z5898	123
PERK6000-SCR	161	PTR6200-L-0.25-VR	143	RK7872C-XL-QR	96	Z812B0-XL-WM	66	Z842F4-XL	63	Z5006.02	114	Z59555-AM-STS	124
PERK6000-SR	142	PTR6200-L-0.25-VR	154	RK74500-94	96	Z812C0-XL	66	Z842G1-XL-15F	74	Z5006.03	114	Z59555-EL	124
PERK6000-SR	161	PTR6200-L-0.25-VR	154	RK74500-94FC	96	Z812C0-XL-WM	66	Z842G4-XL	63	Z5006.03	114	Z59555-EL-AMFR-STS	124
PERK6000-W	142	PTR6200-L-0.25-W2	14	RK74500-94LA	96	Z812U0-XL	66	Z842H1-XL	66	Z5111	122	Z59555-EL-BK	124
PERK6000-W	161	PTR6200-L-0.125	143	RK74500-94SO	96	Z824B0-XL	70	Z842H1-XL-15F	74	Z5111-LS	122	Z59555-EL-STS	124
PERK6000-W-TC	142	PTR6200-L-0.125-VR	143	RK74500-94VP	96	Z82450-XL	66	Z842H4-XL	63	Z5111-RS	122	Z59565-AM	124
PERK6003-L-0.5	153	PTR6200-L-0.125-W2	14	TPMK7100	94	Z825A1-XL	71	Z842I1-XL	63	Z5114	122	Z59565-EL	124
PERK6003-L-0.5-S	153	PTR6200-L-1.0	143	TPMK7100-LH	94	Z825A2-XL	71	Z842I4-XL	63	Z5118	122	Z59565-EL-STS	124
PERK6003-L-0.125	153	PTR6200-L-1.0-VR	143	TPMK7100-MT	94	Z825A4-XL	71	Z842J1-XL	63	Z5124	122	Z59575-EL	124
PERK6003-L-0.125-S	153	PTR6200-L-1.0-VR	154	TPMK7101	94	Z825B1-XL	71	Z842J1-XL-15F	74	Z5220	122	Z59585-EL	124
PERK6003-L-1.0	153	PTR6200-L-1.0-W2	14	TPMK7101-LH	94	Z825B1-XL-15F	74	Z842J3-XL	63	Z5220-KIT	125	Z59595S-JUV	124
PERK6003-L-1.0-S	153	PTR6200-L-1.1	143	TPMK7101-MT	94	Z825B2-XL	71	Z842J4-XL	63	Z5314	121	Z5972-CAP	125
PESS6000-22	142	PTR6200-L-1.1-VR	143	TPMK7120	94	Z825B4-XL	71	Z842U1-XL	64	Z5321	121	Z5972-COMB	125
PESS6000-22	156	PTR6200-L-1.1-VR	154	TPMK7120-LH	94	Z825C1-XL	71	Z842U2-XL	64	Z5321-LS	121	Z5972-HDW	125
PESS6000-22A	142	PTR6200-L-1.1-W2	14	TPMK7120-MT	94	Z825C2-XL	71	Z842U4-XL	64	Z5321-PED	121	Z5974-FLO-ABS	125
PESS6000-22A	157	PTR6200-L-1.6	143	TPMK7121	94	Z825C4-XL	71	Z842X1-XL	75	Z5321-RS	121	Z5974-FLO-PVC	125
PESS6000-22B	142	PTR6200-L-1.6-VR	143	TPMK7121-LH	94	Z825F1-XL	71	Z842X1-XL-AF	75	Z5324	121	Z5975-FLO-IR	125
PESS6000-22C	142	PTR6200-L-1.6-VR	154	TPMK7121-MT	94	Z825F2-XL	71	Z843J1-XL	66	Z5324-PED	121	Z5976-URINAL	125
PESS6000-22D	142	PTR6200-L-1.6-W2	14	TPMK7200	94	Z825U1-6M	71	Z843J4-XL	66	Z5328	121	Z5977-NEO	125
PESS6000-23	142	PTR6200-L-1.28	143	TPMK7200-LH	94	Z825U4-6M	71	Z843L1-RC	68	Z5340-BKT	125	Z5980GBS-34	125
PESS6000-25	142	PTR6200-L-1.28-VR	143	TPMK7200-MT	94	Z825X1-XL	75	Z843M1	74	Z5341	121	Z5980GBS-112	125
PESS6000-27	142	PTR6200-L-1.28-VR	154	TPMK7201	94	Z826A1-XL-15F	74	Z843M1-RC	68	Z5341-LS	121	Z6000-1-WSI-TP-YB-YC	27
PESS6000-28	142	PTR6200-L-1.28-W2	14	TPMK7201-LH	94	Z826B1-XL	72	Z843M1-RC	74	Z5341-RS	121	Z6000-1-WSI-YB-YC	27
PH6000-HY1	141	PTR6200-L-DF-W2	14	TPMK7201-MT	94	Z826B2-XL	72	Z843M1	68	Z5344	121	Z6000-2-WSI-TP-YB-YC	27
PH6000-HY2	141	PTR6200-L-S	143	TPMK7220	94	Z826B4-XL	72	Z866B0-XL	62	Z5348	121	Z6000-2-WSI-YB-YC	27
PH6000-HY6	141	PTR6200-L-S	143	TPMK7220-LH	94	Z826C1-XL	72	Z867A0-XL	65	Z5351	121	Z6000-3-WSI-YB-YC	27
PH6000-HY7	141	PTR6200-L-S	154	TPMK7220-MT	94	Z826C2-XL	72	Z867B0-XL	65	Z5354	121	Z6000AV-1-HET	24
PH6000-HY8	141	PTR6200-M	143	TPMK7221	94	Z826C4-XL	72	Z867C0-XL	65	Z5358	121	Z6000AV-1-WSI	24
PH6000-HY9	141	PTR6200-M	143	TPMK7221-LH	94	Z826F1-XL	72	Z867R0-XL	65	Z5361	121	Z6000AV-1-WSI-TP	25
PH6000-HY10	141	PTR6200-M	154	TPMK7221-MT	94	Z826F2-XL	72	Z871B1-XL	67	Z5364	121	Z6000AV-2-HET	24
PH6000-HY11	141	PTR6200-M-RING	154	TPMK7300-MT	95	Z826X1-XL	75	Z871B3-XL	67	Z5368	121	Z6000AV-2-WSI	24
PH6000-HY12	141	PTR6200-M-RING	143	TPMK7300-ST	95	Z831A1-XL	64	Z871B4-XL	67	Z5410	123	Z6000AV-2-WSI-TP	25
PH6000-HY15	141	PTR6200-M-RING	143	TPMK7300-STN	95	Z831A4-XL	64	Z871C1-XL	67	Z5410-20-SRG	125	Z6000AV-3-HET	24
PH6000-HY17	141	PTR6200-M-S	143	TPMK7301-MT	95	Z831B1-XL	64	Z871C3-XL	67	Z5420	123	Z6000AV-3-WSI	24
PH6000-HY18	141	PTR6200-M-S	143	TPMK7301-ST	95	Z831B4-XL	64	Z871C4-XL	67	Z5460-BKT	125	Z6000AV-3-WSI-TP	25
PH6000-HY19	141	PTR6200-M-S	154	TPMK7301-STN	95	Z831C1-XL	64	Z871G1-XL	67	Z5460-SB	125	Z6000AV-HET	24
PH6000-HY20	141	PTR6203-EU	143	TPMK7302-MT	95	Z831C3-XL	64	Z871G3-XL	67	Z5461-AM	123	Z6000AV-HET-BWN	28
PH6000-HY20L	141	PTR6203-EU	154	TPMK7302-ST	95	Z831C4-XL	64	Z871G4-XL	67	Z5468-AM	123	Z6000AV-HET-DF	24
PH6000-HY21	141	PTR6203-EU-ULF	143	TPMK7302-STN	95	Z831G1-XL	64	Z871H1-XL	67	Z5535-K	119	Z6000AV-HET-H	24
PH6000-HY21L	141	PTR6203-EU-ULF	154	TPK7100-SS	93	Z831G3-XL	64	Z871H4-XL	67	Z5535-K	119	Z6000AV-HET-X	37
PH6000-HY22	141	PTR6203-FA	143	TPK7120-SS	93	Z831G4-XL	64	Z871J1-XL	67	Z5560	119	Z6000AV-HET-YG	24
PH6000-HY23	141	PTR6203-FA	154	TPK7200-SS	93	Z831H1-XL	65	Z871J3-XL	67	Z5560-BWL	125	Z6000AV-ONE	24
PH6000-HY24	141	PTR6203-FA-LF	143	TPK7220-SS	93	Z831H4-XL	65	Z871J4-XL	67	Z5560-TNK-PA	125	Z6000AV-WS1	24
PH6000-HY25	141	RK7000-11AB	95	TPK7300-SS	94	Z831J1-XL	65	Z871S1-XL	67	Z5560-TNK-PA-LID	125	Z6000AV-WS1-BWN	28
PH6000-HY26	141	RK7000-11BC	95	TPK7300-SSC	94	Z831J3-XL	65	Z871S3-XL	67	Z5561	119	Z6000AV-WS1-DF	24
PH6000-HY28	141	RK7000-11TOOLS	95	TPK7300-SSC-STN	94	Z831J4-XL	65	Z871S4-XL	67	Z5570	119	Z6000AV-WS1-H	24
PH6													

Z6000-DVN	29	Z6144AV-HET	22	Z6913-XL-WI-FS-MV	49	Z6950-XL-S-E-W2	48	Z7000-HW	92	Z7301-SS-MT	88	Z8800-XL-PC	98
Z6000-DVNI	29	Z6144AV-WSI	29	Z6913-XL-WI-MV	49	Z6950-XL-S-F	43	Z7000-HW2	92	Z7301-SS-MT-DV-2P-HW	88	Z8800-XL-PC	102
Z6000-DVN-O20	29	Z6144-WSI-YB	23	Z6913-XL-W2	48	Z6950-XL-S-F-MV-W2	48	Z7000-HW3	92	Z7302-SS-MT	88	Z8800-XL-CR-PC	102
Z6000PL-1-HET	26	Z6150AV-WSI	22	Z6915-XL	46	Z6950-XL-S-F-W2	48	Z7000-HW4	92	Z7302-SS-MT-DV-2P-HW	88	Z8802-XL-CR-PC	102
Z6000PL-1-WSI	26	Z6150-WSI-YB	23	Z6915-XL-ACA	47	Z6950-XL-S-MV	43	Z7000-HW5	92	Z7440-XL	84	Z8802-XL-LK-PC	98
Z6000PL-2-HET	26	Z6152AV-HET	22	Z6915-XL-ACA-FS	47	Z6950-XL-S-TMV-1-E	43	Z7000-HW6	92	Z7441-XL	84	Z8802-XL-LK-PC	102
Z6000PL-2-WSI	26	Z6152AV-HET-L3	22	Z6915-XL-ACA-FS-MV	47	Z6950-XL-S-WI-E	49	Z7000-HW7	92	Z7442-XL	84	Z8802-XL-LK-Q-PC	98
Z6000PL-3-HET	26	Z6152AV-WSI	22	Z6915-XL-ACA-MV	47	Z6950-XL-S-WI-F	49	Z7000-HW8	92	Z7443-XL	84	Z8802-XL-LK-Q-PC	102
Z6000PL-3-WSI	26	Z6152AV-WSI-L3	22	Z6915-XL-FS-MV-W2	48	Z6951-SD	50	Z7000-HW9	92	Z7500	89	Z8802-XL-LR-8860-12-PC	98
Z6000PL-HET	26	Z6152-WSI-YB	23	Z6915-XL-FS-W2	48	Z6951-XL	43	Z7000-HW10	92	Z7500-CR	89	Z8802-XL-LR-8860-16-PC	98
Z6000PL-HET-BWN	29	Z6153AV-HET	22	Z6915-XL-MV	46	Z6951-XL-BN	43	Z7000-HW11	92	Z7500-CR-DV-HW	89	Z8802-XL-LR-LK-8860-12-PC98	
Z6000PL-ONE	26	Z6153AV-ONE	22	Z6915-XL-MV-W2	48	Z6951-XL-CP4	43	Z7000-HW13	92	Z7500-CR-HW	89	Z8802-XL-LR-LK-8860-16-PC98	
Z6000PL-WSI	26	Z6153AV-WSI	22	Z6915-XL-TMV-1	46	Z6951-XL-CP4-F	43	Z7000-HW14	92	Z7500-CR-I2	89	Z8802-XL-LR-LK-PC	98
Z6000PL-WSI-BWN	29	Z6153-WSI-YB	23	Z6915-XL-W1	49	Z6951-XL-CP4-MV	43	Z7000-HW15	92	Z7500-CR-L5	89	Z8802-XL-LR-LK-Q-	
Z6000PL-WSI-DF	26	Z6154AV-HET	22	Z6915-XL-WI-FS	49	Z6951-XL-CP4-TMV-1	43	Z7000-I2	92	Z7500-CR-SL	89	8860-12-PC	98
Z6000PL-WSI-TP	26	Z6154AV-WSI	22	Z6915-XL-WI-FS-MV	49	Z6951-XL-CP8	43	Z7000-I2-1.5	92	Z7500-DV-HW	89	Z8802-XL-LR-LK-Q-PC	98
Z6000PL-WSI-TP-YK	26	Z6154-WSI-YB	23	Z6915-XL-WI-MV	49	Z6951-XL-CP8-MV	43	Z7000-I2-1.25	92	Z7500-HW	89	Z8802-XL-LR-PC	98
Z6000-WSI-BWN-YB-YC	29	Z6190AV-WSI	27	Z6915-XL-W2	48	Z6951-XL-CWB	43	Z7000-I2-1.75	92	Z7500-I2	89	Z8802-XL-PC	102
Z6000-WSI-TP-YB-YC	27	Z6190AV-WSI-L3	22	Z6920-XL	46	Z6951-XL-CWB-F	43	Z7000-I2-2.0	92	Z7500-L5	89	Z8802-XL-Q-PC	98
Z6000-WSI-YB-YC	27	Z6190-WSI-YB	23	Z6920-XL-ACA	47	Z6951-XL-E	43	Z7000-I5	92	Z7500-SL	90	Z8803-XL-LK-PC	102
Z6001AV-WSI	24	Z6195AV-EWS	22	Z6920-XL-ADM	46	Z6951-XL-F	43	Z7000-I5-1.5	92	Z7500-T5	90	Z8803-XL-LK-PC	102
Z6001AV-WSI-H	24	Z6195AV-ULF	22	Z6920-XL-ADM-1	46	Z6951-XL-MV	43	Z7000-I5-1.25	92	Z7500-TS-HW	90	Z8803-XL-PC	102
Z6001AV-WSI-X	37	Z6195AV-WSI	22	Z6920-XL-ADM-2	46	Z6951-XL-TMV-1	43	Z7000-I5-1.75	92	Z7500-TS-I2	90	Z8803-XL-PC	102
Z6001PL-WSI	26	Z6195-WSI-YB	23	Z6920-XL-CP4	46	Z6951-SD	50	Z7000-I5-2.0	92	Z7500-W2	90	Z8803-XL-PC	102
Z6001PL-WSI-YB-YC	27	Z6196AV-WSI	36	Z6920-XL-CP4-F-W2	48	Z6953-XL	45	Z7000-I6	92	Z7500-W2-HW	90	Z8804-XL-CR-PC	102
Z6003AV-EWS	25	Z6197AV-EWS	22	Z6920-XL-CP4-MV	46	Z6953-XL-BN	45	Z7000-I6-1.5	92	Z7500-W2-I2	90	Z8804-XL-CR-Q-PC	102
Z6003AV-EWS-X	37	Z6197AV-ULF	22	Z6920-XL-CP4-TMV-1	46	Z6953-XL-CV-BN	47	Z7000-I6-1.25	92	Z7500-W3	90	Z8804-XL-LK-PC	99
Z6003AV-ULF	25	Z6197AV-WSI	22	Z6920-XL-CP4-W2	48	Z6953-XL-CV-E	47	Z7000-I6-1.75	92	Z7500-W3-HW	90	Z8804-XL-LK-PC	102
Z6003AV-ULF-X	37	Z6197-WSI-YB	23	Z6920-XL-CP8	46	Z6953-XL-CV-E	45	Z7000-I6-2.0	92	Z7500-W3-I2	90	Z8804-XL-LK-Q-PC	99
Z6003AV-WSI	25	Z6199-BX12	36	Z6920-XL-CP8-MV	46	Z6953-XL-MV	45	Z7000-I7	92	Z7870C-XL	84	Z8804-XL-LK-Q-PC	102
Z6003AV-WSI-H	25	Z6199-BX12-NH	36	Z6920-XL-CP8-TMV-1	46	Z6953-XL-N	45	Z7000-I8	92	Z7872C-XL	84	Z8804-XL-LR-8860-12-PC	99
Z6003AV-WSI-U	25	Z6199-BX17	36	Z6920-XL-F-ACA	47	Z6953-XL-TMV-1	45	Z7000-I9	92	Z8106	119	Z8804-XL-LR-LK-8860-12-PC99	
Z6003AV-WSI-X	37	Z6199-BX17-NH	36	Z6920-XL-F-MV-ACA	47	Z6953-XL-S-CV-E	47	Z7000-I10-AQ	92	Z8106	125	Z8804-XL-LR-LK-	
Z6003-EWS-YB-YC	27	Z6200-1-HET-YB-YC	27	Z6920-XL-F-MV-W2	48	Z6953-XL-S-CV-F	47	Z7000-LH	92	Z8700-8BCE-PC	104	8860-20-PC	99
Z6003PL-EWS	26	Z6200-1-WSI-YB-YC	27	Z6920-XL-F-W2	48	Z6953-XL-S-CWB	43	Z7000-OD	93	Z8700-8BD-PC	104	Z8804-XL-LR-LK-PC	99
Z6003PL-ULF	26	Z6200-2-HET-YB-YC	27	Z6920-XL-MV	46	Z6953-XL-S-CWB-F	43	Z7000-S1	91	Z8700-8B-PC	104	Z8804-XL-LR-LK-Q-	
Z6003PL-WSI	26	Z6200-2-WSI-YB-YC	27	Z6920-XL-MV-ACA	47	Z6953-XL-S-E	43	Z7000-S5	91	Z8700-8-P-PC	105	8860-12-PC	99
Z6003-WSI-YB-YC	27	Z6200-2-WSI-YB-YC	27	Z6920-XL-MV-W2	48	Z6953-XL-S-E-W2	48	Z7000-S5-1.5	91	Z8700BD-PC	105	Z8804-XL-LR-LK-Q-PC	99
Z6010-2-WSI-YB-YC	27	Z6200PL-HET	27	Z6920-XL-TMV-1	46	Z6953-XL-S-F	43	Z7000-S5-1.25	91	Z8700B-PC-BA	105	Z8804-XL-LR-PC	99
Z6010AV-1-HET	24	Z6200PL-WSI	27	Z6920-XL-W1	49	Z6953-XL-S-F-W2	48	Z7000-S5-1.75	91	Z8700C-PC	105	Z8804-XL-LR-Q-8860-12-PC99	
Z6010AV-1-WSI	24	Z6200AV-WSI-YB-YC	27	Z6920-XL-W1-F	49	Z6953-XL-S-MV	43	Z7000-S5-2.0	91	Z8700-PC	105	Z8804-XL-LR-Q-PC	99
Z6010AV-2-HET	24	Z6203-EWS-YB-YC	27	Z6920-XL-W1-F-MV	49	Z6953-XL-S-WI-E	49	Z7000-S5-STN	91	Z8701-9BBX-PC-BA	105	Z8804-XL-PC	102
Z6010AV-2-WSI	24	Z6203PL-EWS	27	Z6920-XL-W1-MV	49	Z6953-XL-S-WI-F	49	Z7000-S5-VP	91	Z8701-9BBX-PC-BA	105	Z8804-XL-PC	102
Z6010AV-HET	24	Z6203PL-ULF	27	Z6920-XL-W2	48	Z6956-SD	50	Z7000-S6	91	Z8701-9BCE-PC	104	Z8804-XL-Q-PC	99
Z6010AV-HET-BWN	28	Z6203PL-WSI	27	Z6922-XL	46	Z6956-XL-BN	45	Z7000-S6-1.5	91	Z8701-9B-PC	104	Z8804-XL-Q-PC	102
Z6010AV-WSI	24	Z6203-ULF-YB-YC	27	Z6922-XL-ACA	47	Z6956-XL-CV-BN	47	Z7000-S6-1.25	91	Z8701-9LCB-PC	105	Z8806-XL-CR-PC	102
Z6010AV-WSI-BWN	28	Z6203-WSI-YB-YC	27	Z6922-XL-F-ACA	47	Z6956-XL-CV-E	47	Z7000-S6-1.75	91	Z8701B-PC-BA	105	Z8806-XL-LK-PC	102
Z6010AV-WSI-DF	24	Z6296-WA-WSI	36	Z6922-XL-F-MV-ACA	47	Z6956-XL-E	45	Z7000-S6-2.0	91	Z8701-PC	105	Z8806-XL-LK-PC	102
Z6010-DVN	29	Z6296-WSI	36	Z6922-XL-MV-ACA	47	Z6956-XL-F	45	Z7000-S6-STN	91	Z8702-9BBX-PC-BA	105	Z8806-XL-LR-8860-12-PC	100
Z6010-DVNI	29	Z6601AV-WSI	34	Z6922-XL-MV-W2	48	Z6956-XL-MV	45	Z7000-S6-VP	91	Z8702-9BCE-PC	104	Z8806-XL-LR-LK-PC	100
Z6010PL-HET	26	Z6601-WSI-YB	35	Z6922-XL-SB	46	Z6956-XL-N	45	Z7000-S7	91	Z8702-9BD-PC	104	Z8806-XL-LR-PC	100
Z6010PL-WSI	26	Z6603AV-WSI	34	Z6922-XL-W1	49	Z6956-XL-TMV-1	45	Z7000-S7-VP	91	Z8702-9B-PC	104	Z8806-XL-PC	100
Z6010-WSI-BWN-YB-YC	29	Z6603-WSI-YB	35	Z6922-XL-W1-F	49	Z6957-SD*	50	Z7000-S8	91	Z8702-15-PC	105	Z8806-XL-PC	102
Z6010-WSI-YB-YC	27	Z6606AV-WSI	34	Z6922-XL-W1-F-MV	49	Z6957-XL	45	Z7000-S8	91	Z8702B-PC-BA	105	Z8806-XL-LK-PC	100
Z6011AV-HET-BWN	28	Z6609AV-WSI	34	Z6922-XL-W1-MV	49	Z6957-XL-BN	45	Z7000-S9	91	Z8702-PC	105	Z8808-XL-LK-PC	102
Z6011AV-WSI	24	Z6609-WSI-YB	35	Z6922-XL-W2	48	Z6957-XL-F	45	Z7000-S9-STN	91	Z8703B-PC	104	Z8808-XL-LK-Q-PC	100
Z6011AV-WSI-BWN	28	Z6611AV-WSI	34	Z6933	46	Z6957-XL-MV	45	Z7000-S10	91	Z8704B-PC	105	Z8808-XL-LK-Q-PC	102
Z6011-DVN	29	Z6611-WSI-YB	35	Z6933-CP4	46	Z6957-XL-N	45	Z7000-S10	92	Z8711-6-PC	105	Z8808-XL-LR-LK-PC	100
Z6011-WSI-BWN-YB-YC	29	Z6615AV-WSI	34	Z6936	46	Z6957-XL-TMV-1	45	Z7000-SE	93	Z8713-PC	108	Z8808-XL-LR-LK-Q-PC	100
Z6014AV-WSI	24	Z6615-WSI-YB	35	Z6936-CP4	46	Z7000-A1	91	Z7000-SI	91	Z8713-LTBN-PC	107	Z8808-XL-LR-PC	100
Z6014-YB-YC	27	Z6614AV-WSI	34	Z6950-SD*	50	Z7000-A1-STN	91	Z7000-I2	93	Z8713-PC	108	Z8808-XL-LR-Q-PC	100
Z6017AV	30	Z6621AV-WSI	34	Z6950-XL-IM-S	43	Z7000-A2	91	Z7000-I4	93	Z8713-PC	108	Z8808-XL-PC	100
Z6017AV-H	30	Z6681AV-WSI	34	Z6950-XL-IM-S-CP4	43	Z7000-A3	91	Z7000-VB	93	Z8713-PC	108	Z8808-XL-PC	102
Z6017AV-H-O10	30	Z6900-FSD-WM	50	Z6950-XL-IM-S-CP4-F	43	Z7000-A4	91	Z7000-WF	91	Z8741-SS	109	Z8808-XL-Q-PC	100
Z6017AV-H-O20	30	Z6900-SD-WM	50	Z6950-XL-IM-S-CP8	43	Z7000-AP	92	Z7100-SS-HW-LH	85	Z8743-INOF-PC	109	Z8808-XL-Q-PC	102
Z6017AV-O10	30	Z6913-XL	46	Z6950-XL-IM-S-CV-E	47	Z7000-BP	92	Z7100-SS-LH	85	Z8743-1-PC	109	Z8808-XL-Q-PC	102
Z6017AV-O20	30	Z6913-XL-ACA	47	Z6950-XL-IM-S-CV-F	47	Z7000-CC	91	Z7100-SS-LH	85	Z8743INOF-PC	109	Z8860-XL-12-SS	103
Z6017PL	30	Z6913-XL-ACA-FS	47	Z6950-XL-IM-S-CWB	43	Z7000-DS	92	Z7100-SS-LH	85	Z8743-PC	96	Z8860-XL-20-SS	103
Z6017PL-H	30	Z6913-XL-ACA-FS-MV	47	Z6950-XL-IM-S-CWB-F	43	Z7000-DV-2P	92	Z7101-SS-LH-DV-2P-HW	85	Z8743-PC	109	Z8861-XL-12-SS	103
Z6017PL-H-O10	30	Z6913-XL-ACA-MV	47	Z6950-XL-IM-S-E-W2	48	Z7000-GB24	93	Z7101-SS-MT	85	Z8743-PC-BA	109	Z8861-XL-12-SS	103
Z6017PL-H-O20	30	Z6913-XL-ADM	46	Z6950-XL-IM-S-F	43	Z7000-GB24H	93	Z7120-SS-LH	86	Z8746NOF-PC	110	Z8870-XL-12-SS	103
Z6020AV-WSI-BWN	28	Z6913-XL-ADM-1	46	Z6950-XL-IM-S-F-W2	48	Z7000-GB36	93	Z7120-SS-LH-HW	86	Z8746-PC	110	Z8900-PC	104
Z6020AV-WSI	25	Z6913-XL-ADM-2	46	Z6950-XL-IM-S-WI-E	49	Z7000-GB36H	93	Z7120-SS-MT	86	Z8746-PC-BA (TAA COMPLIANT)	110	Z8901-PC	104
Z6100AV-HET-X	37	Z6913-XL-CP4	46	Z6950-XL-IM-S-WI-F	49	Z7000-GBH	93	Z7121-SS-LH	86			Z8902-PC	104
Z6100AV-WSI-X	37	Z6913-XL-CP4-FS-W2	48	Z6950-XL-S-CP4-E	43	Z7000-H1	93	Z7121-SS-MT	86	Z8747-PC	110	Z8905-PC	104
Z6140AV-HET	22	Z6913-XL-CP4-MV	46	Z6950-XL-S-CP4-E-W2	48	Z7000-H2	93	Z7122-SS-LH	86	Z8748-PC	110	Z8908-PC	104
Z6140AV-WSI	22	Z6913-XL-CP4-TMV-1	46	Z6950-XL-S-CP4-F	43	Z7000-H4	93	Z7122-SS-LH	86	Z8749-SS	110	Z8909-PC	104
Z6140-WSI-YB	23	Z6913-XL-CP4-W2	48	Z6950-XL-S-CP4-F-W2	48	Z7000-H7	93	Z7122-SS-MT	86	Z8750A-PC	110	Z8910-PC	104
Z6142AV-HET	22	Z6913-XL-CP8	46	Z6950-XL-S-CP4-MV	43	Z7000-H9	93	Z7121-SS-LH	87	Z8752-SC	110	Z8916-XL-3-PC	104
Z6142AV-WSI	22	Z6913-XL-CP8-MV	46	Z6950-XL-S-CP4-TMV-1	43	Z7000-H10	93	Z7121-SS-MT	87	Z8758-SC	110	Z8916-XL-5-PC	104
Z6142-WSI-YB	23	Z6913-XL-CP8-TMV-1	46	Z6950-XL-S-CP8-E	43	Z7000-H12	93	Z7122-SS-LH	87	Z8770-RB (LIFT AND TURN)	111	Z8916-XL-15-PC	104
Z6143AV-HET</													

Z8946-3-NT	112	ZEMS6000PL-WSI-W1	15	W/HMK	10	ZH6000AV-DF-WS1	31	ZL3.M	115	ZWC1.STM	116
Z8946-NT	112	ZEMS6000-WSI-IS-YB-YC	18	ZER6000AV-3-HET-CPM	18	ZH6000AV-HET-BWN	28	ZL3.S	115	ZWC2.M	116
Z80000-HI24	77	ZEMS6000-WSI-IS-YB-YC-WT16	17	W/HMK	10	ZH6000AV-WS1	31	ZL4.M	115	ZWC2.S	116
Z80000-HK-SE-SH	76	ZEMS6000-WSI-YB-YC	18	ZER6000AV-3-WSI-CPM	10	ZH6000AV-WSI-X	37	ZL4.S	115	ZWC2.STM	116
Z80000-RS	77	ZEMS6001AV-WSI-IS	17	W/HMK	10	ZH6000-BWN-YB-YC	33	ZL5.M	115	ZWC3A.M	116
Z80000-SH	76	ZEMS6001AV-WSI-IS-X	37	ZER6000AV-DF-TM	9	ZH6000PL-HET	32	ZL6.M	115	ZWC3.AS	116
Z80000-SH2	76	ZEMS6001PL-WSI-IS	18	ZER6000AV-HET-CPM	10	ZH6000PL-WS1	32	ZL6.S	115	ZWC3A.STM	116
Z80000-VH36	76	ZEMS6001-WSI-IS-YB-YC	18	ZER6000AV-HET-CPM-X	10	ZH6000-WSI-YB-YC	33	ZL7.M	115	ZWC3.M	116
Z80000-VH48	76	ZEMS6001-WSI-YB-YC	18	ZER6000AV-HET-TM	9	ZH6001AV-WS1	31	ZL7.S	115	ZWC3.S	116
Z80000-XL-EVB	76	ZEMS6003AV-EWS	17	ZER6000AV-HET-W2	13	ZH6001PL-WS1	32	ZP100-SS	107	ZWC3.STM	116
Z80300-XL	66	ZEMS6003AV-EWS-IS	17	ZER6000AV-ONE-CPM	10	ZH6003AV-EWS	31	ZR361L-PC	106	ZWC4.AS	116
Z81000-XL	70	ZEMS6003AV-EWS-		ZER6000AV-ONE-TM	9	ZH6003AV-EWS-X	37	ZR361-PC	106	ZWC4A.STM	116
Z81017-XL	76	IS-MOB-W1	15	ZER6000AV-ONE-W2	13	ZH6003AV-ULF	31	ZR364-PC	106	ZWC4.M	116
Z81100-XL	54	ZEMS6003AV-EWS-IS-W1	15	ZER6000AV-ONE-W2	13	ZH6003AV-ULF-X	37	ZR365B-PC	106	ZWC4.S	116
Z81100-XL-P	54	ZEMS6003AV-EWS-IS-X	37	ZER6000AV-WSI-BWN-CPM	10	ZH6003AV-WS1	31	ZR365L-PC	106	ZWC4.STM	116
Z81101-XL	60	ZEMS6003AV-EWS-W1	15	W/HMK	10	ZH6003AV-WSI-X	37	ZR365-PC	106	ZWC5.M	116
Z81102-XL	60	ZEMS6003AV-MOB-W1	15	ZER6000AV-WSI-CPM	10	ZH6003PL-EWS	32	ZR365TRPBX-PC	106	ZWC5.S	116
Z81103-XL	60	ZEMS6003AV-ULF	17	ZER6000AV-WSI-CPM-X	10	ZH6003PL-ULF	32	ZR367-PC*	106	ZWC5.STM	116
Z81104-XL	60	ZEMS6003AV-ULF-IS	17	ZER6000AV-WSI-W2	13	ZH6003PL-ULF	32	ZR370-PC	106		
Z81200-XL	54	ZEMS6003AV-ULF-		ZER6000PL-HET-CPM	11	ZH6003-WSI-YB-YC	33	ZR371-PC	106		
Z81200-XL-P	54	IS-MOB-W1	15	ZER6000PL-HET-W2	13	ZH6010AV-WS1	31	ZR426B-SS	107		
Z82200-XL-CP4	70	ZEMS6003AV-ULF-IS-W1	15	ZER6000PL-ONE-CPM	10	ZH6011AV-BWN-WS1	31	ZR461-PC	108		
Z82300-XL-CP8	70	ZEMS6003AV-ULF-IS-X	37	ZER6000PL-WSI-CPM	11	ZH6011AV-WSI-BWN	28	ZR464-PC	108		
Z82500-XL	54	ZEMS6003AV-ULF-W1	15	ZER6000PL-WSI-W2	13	ZH6011AV-WSI-CPM	10	ZR505LAW-PC	106		
Z82600-XL	54	ZEMS6003AV-W1	15	ZER6000PL-WSI-W2	13	ZH6011AV-WSI-YB	33	ZR505LAW-PC	106		
Z82701-XL	70	ZEMS6003AV-WS1	17	ZER6000PL-WSI-YB-YC	11	ZH60140AV-WS1-X	37	ZR543JBD-PC	106		
Z82702-XL	70	ZEMS6003AV-WSI-IS	17	ZER6001AV-WSI-CPM	10	ZH6140AV-HET	32	ZR970J-PC	106		
Z82704-XL	70	ZEMS6003AV-WSI-		ZER6001AV-WSI-CPM-X	10	ZH6140AV-WS1	32	ZR971J-PC	106		
Z83100-XL	54	IS-MOB-W1	15	ZER6003AV-EWS-CPM	10	ZH6140-WSI-YB	33	ZSS250-PC	107		
Z83100-XL-ICT	54	ZEMS6003AV-WSI-IS-W1	15	ZER6003AV-EWS-CPM-X	10	ZH6142AV-HET	32	ZSS300-PC	107		
Z83600-XL	73	ZEMS6003AV-WSI-IS-X	37	ZER6003AV-EWS-TM	9	ZH6142AV-WS1	32	ZSS3000B-SS	107		
Z83600-XL	77	ZEMS6003AV-WSI-W1	15	ZER6003AV-EWS-W2	13	ZH6142-WSI-YB	33	ZSS3000W-SS	107		
Z84100-XL	54	ZEMS6003-EWS-IS-YB-YC	18	ZER6003AV-ULF-CPM	10	ZH6150AV-HET	32	ZTR6200-I-ONE-W2	14		
Z84200-XL	54	ZEMS6003-EWS-IS-YB-YC-WT16	18	ZER6003AV-ULF-CPM-X	10	ZH6150AV-WS1	32	ZTR6200-I-WS1	9		
Z84300	54	ZEMS6003-EWS-YB-YC	18	ZER6003AV-ULF-TM	9	ZH6150PL-WS1	32	ZTR6200EV	9		
Z85100-XL	76	ZEMS6003PL-EWS	18	ZER6003AV-ULF-W2	13	ZH6150-WSI-YB	33	ZTR6200EV-I	9		
Z85100-XL-WM	76	ZEMS6003PL-EWS-IS	18	ZER6003AV-WSI-CPM	10	ZH6152AV-HET	32	ZTR6200EV-HW	17		
Z85500-XL	76	ZEMS6003PL-EWS-W1	15	ZER6003AV-WSI-CPM-X	10	ZH6152AV-WS1	32	ZTR6200EV-LL	9		
Z85500-XL-WM	76	ZEMS6003PL-ULF	18	ZER6003AV-WSI-TM	9	ZH6152-WSI-YB	33	ZTR6200EV-W2	14		
Z85500-XL-WM-EVB-		ZEMS6003PL-ULF-IS	18	ZER6003AV-WSI-W2	13	ZH6190AV-WS1	33	ZTR6200EV-X-W2	14		
HK-SE-SH	73	ZEMS6003PL-ULF-IS-W1	16	ZER6003-EWS-CPM-YB-YC	11	ZH6190-WSI-YB	33	ZTR6200-ONE	9		
Z85500-XL-WM-EVB-		ZEMS6003PL-ULF-W1	15	ZER6003PL-EWS-CPM	11	ZH6195AV-EWS	32	ZTR6200-ONE-HW	17		
HK-SE-SH	77	ZEMS6003PL-WS1	18	ZER6003PL-EWS-W2	13	ZH6195AV-ULF	32	ZTR6200-ONE-LL	9		
Z86100-XL	70	ZEMS6003PL-WSI-IS	18	ZER6003PL-ULF-CPM	11	ZH6195AV-WS1	32	ZTR6200-ONE-W2	14		
Z86300-XL	70	ZEMS6003PL-WSI-W1	15	ZER6003PL-ULF-W2	13	ZH6195-WSI-YB	33	ZTR6200-ONE-X-W2	14		
Z86300-XL-CP4	70	ZEMS6003-ULF-IS-YB-YC-W116	16	ZER6003PL-ULF-CPM	11	ZH6197AV-EWS	32	ZTR6200-WS1	9		
Z86500-XL	62	ZEMS6003-WSI-IS-YB-YC	18	ZER6003PL-WSI-W2	13	ZH6197AV-ULF	32	ZTR6200-WSI-DF	9		
Z87100-XL	54	ZEMS6003-WSI-IS-YB-YC-WT16	16	ZER6003-WSI-CPM-YB-YC	11	ZH6197AV-WS1	32	ZTR6200-WSI-DF-HW	17		
Z87100-XL-HS	54	ZEMS6003-WSI-YB-YC	18	ZER6140AV-HET	21	ZH6197-WSI-YB	33	ZTR6200-WSI-DF-LL	9		
Z87302	73	ZEMS6100AV-HET-X	37	ZER6152AV-HET	21	ZH6603AV-WSI-MBP	34	ZTR6200-WSI-DF-W2	14		
Z87302	77	ZEMS6100AV-WSI-X	37	ZER6152AV-ONE	21	ZH6603-WSI-MBP-YB	35	ZTR6200-WSI-DF-X-W2	14		
Z.CS1.M	117	ZEMS6140AV-HET	20	ZER6152AV-WS1	21	ZH6606AV-WSI-MBP	34	ZTR6200-WSI-HW	17		
Z.CS2.M	117	ZEMS6140AV-WS1	20	ZER6153AV-WS1	21	ZH6609AV-WSI-MBP	34	ZTR6200-WSI-LL	9		
ZEMS6000AV-1-HET-W1	15	ZEMS6152AV-HET	20	ZER6190AV-WS1	21	ZH6609-WSI-MBP-YB	35	ZTR6200-WSI-W2	14		
ZEMS6000AV-2-HET-IS-W1	15	ZEMS6152AV-ONE	20	ZER6195AV-EWS	21	ZH6611AV-WSI-MBP	34	ZTR6200-WSI-X-W2	14		
ZEMS6000AV-HET	17	ZEMS6152AV-WS1	20	ZER6195AV-ULF	21	ZH6611-WSI-MBP-YB	35	ZTR6203-EWS	9		
ZEMS6000AV-HET-IS	17	ZEMS6153AV-HET	20	ZER6197AV-EWS	21	ZH6613AV-WSI-MBP	34	ZTR6203-EWS-HW	17		
ZEMS6000AV-HET-		ZEMS6153AV-WS1	20	ZER6197AV-ULF	21	ZH6613-WSI-MBP-YB	35	ZTR6203-EWS-LL	9		
IS-MOB-W1	15	ZEMS6190AV-WS1	20	ZER6197AV-WS1	21	ZH8820-XL-LK-PC	101	ZTR6203-EWS-W2	14		
ZEMS6000AV-HET-IS-W1	15	ZEMS6195AV-EWS	20	ZER6197AV-ULF	21	ZH8820-XL-LK-Q-PC	101	ZTR6203-EWS-X-W2	14		
ZEMS6000AV-HET-IS-X	37	ZEMS6195AV-ULF	20	ZER6199-BX17	36	ZH8820-XL-LR-CE-PC	101	ZTR6203-QRT	9		
ZEMS6000AV-HET-W1	15	ZEMS6195AV-WS1	20	ZER6200-HET-CPM-YB-YC	11	ZH8820-XL-LR-LK-PC	101	ZTR6203-QRT-HW	17		
ZEMS6000AV-HET-X	37	ZEMS6197AV-EWS	20	ZER6200-WSI-CPM-YB-YC	11	ZH8820-XL-PC	101	ZTR6203-QRT-LL	9		
ZEMS6000AV-MOB-W1	15	ZEMS6197AV-ULF	20	ZER6203-EWS-CPM-YB-YC	11	ZH8822-XL-LK-PC	101	ZTR6203-QRT-W2	14		
ZEMS6000AV-ONE-IS	17	ZEMS6197AV-WS1	20	ZER6203-ULF-CPM-YB-YC	11	ZH8822-XL-LK-Q-PC	101	ZTR6203-QRT-X-W2	14		
ZEMS6000AV-ONE-		ZEMS6199-BX12-C	36	ZER6203-WSI-CPM-YB-YC	11	ZH8822-XL-LR-LK-PC	101	ZTR6203-ULF	9		
IS-MOB-W1	15	ZERK6199-BX12-U	36	ZERK6199-BX12	36	ZH8822-XL-LR-LK-Q-PC	101	ZTR6203-ULF-HW	17		
ZEMS6000AV-ONE-IS-W1	15	ZERK6199-BX17-C	36	ZERK-CCP	12	ZH8822-XL-LR-PC	101	ZTR6203-ULF-LL	9		
ZEMS6000AV-W1	15	ZEMS6199-BX17-U	36	ZERK-C-DF-TM	12	ZH8822-XL-PC	101	ZTR6203-ULF-W2	14		
ZEMS6000AV-WS1	17	ZEMS6200-HET-IS-YB-YC	19	ZERK-C-HET-TM	12	ZH8823-XL-LK-PC	101	ZTR6203-ULF-X-W2	14		
ZEMS6000AV-WSI-IS	17	ZEMS6200-HET-IS-YB-YC-W116	16	ZERK-C-ONE-TM	12	ZH8824-XL-LK-PC	101	ZTR6203-WS1	9		
ZEMS6000AV-WSI-		ZEMS6200-HET-YB-YC	19	ZERK-CPM	12	ZH8824-XL-LK-Q-PC	101	ZTR6203-WSI-HW	17		
IS-MOB-W1	15	ZEMS6200-WSI-IS-YB-YC	19	ZERK-CPM-LY	12	ZH8824-XL-LR-LK-PC	101	ZTR6203-WSI-LL	9		
ZEMS6000AV-WSI-IS-W1	15	ZEMS6200-WSI-IS-YB-YC-WT16	16	ZERK-C-WSI-TM	12	ZH8824-XL-LR-PC	101	ZTR6203-WSI-W2	14		
ZEMS6000AV-WSI-IS-X	37	ZEMS6200-WSI-YB-YC	19	ZERK-HMK	12	ZH8824-XL-PC	101	ZTR6203-WSI-X-W2	14		
ZEMS6000AV-WSI-W1	15	ZEMS6203-EWS-IS-YB-YC	19	ZERK-U-EWS-TM	12	ZH8824-XL-Q-PC	101	ZTT461-PC	107		
ZEMS6000AV-WSI-X	37	ZEMS6203-EWS-IS-YB-YC-WT16	16	ZERK-U-ULF-TM	12	ZH8826-XL-LK-PC	101	ZTR461W-PC	107		
ZEMS6000-HET-IS-YB-YC-W116		ZEMS6203-EWS-YB-YC	19	ZERK-U-WSI-TM	12	ZH8826-XL-LR-8860-I2-PC	101	Z.UR1.M	115		
ZEMS6000-ONE-IS-YB-YC-W116		ZEMS6203-WSI-IS-YB-YC	19	ZERK-W2	13	ZH8826-XL-LR-LK-		Z.UR1.S	115		
ZEMS6000PL-HET	18	ZEMS6203-WSI-IS-YB-YC-W116	16	ZGS-040Z	125	8860-I2-PC	101	Z.UR1.STM	115		
ZEMS6000PL-HET-IS	18	ZEMS6203-WSI-YB-YC	19	ZGS-040Z	144	ZH8826-XL-PC	101	Z.UR2.M	115		
ZEMS6000PL-HET-IS-W1	16	ZER6000AV-1-HET-CPM	10	ZGS-320Z	125	ZH8827-XL-LK-PC	101	Z.UR2.S	115		
ZEMS6000PL-HET-W1	15	ZER6000AV-1-WSI-CPM	10	ZGS-320Z	144	ZL1.M	115	Z.UR2.STM	115		
ZEMS6000PL-WS1	18	ZER6000AV-2-HET-CPM	10	ZGS-I280Z	125	ZL1.S	115	Z.W4A.M	116		
ZEMS6000PL-WSI-IS	18	W/HMK	10	ZGS-I280Z	144	ZL2.M	115	Z.WC1.M	116		
ZEMS6000PL-WSI-IS-W1	16	ZER6000AV-2-WSI-CPM	10	ZH6000AV-BWN-WS1	31	ZL2.S	115	Z.WC1.S	116		

ZURN TERMS AND CONDITIONS

Zurn Terms and Conditions for the United States

PRICE AND TERMS OF PAYMENT

Terms are net, payable 30 days from date of invoice. Zurn Credit must be identified of potential pricing errors within 30 days of invoice date. Shortage claims must be reported within 10 working days of receiving product to your local Zurn Rep or Zurn Customer Care. The Buyer shall pay all sales, consumers, or other applicable taxes. A 1-1/2% monthly (18% annual) service charge will be added to the outstanding balance of all past due invoices.

Minimum invoice \$250.00. Zurn Industries, LLC ("Zurn") reserves the right to apply a minimum order charge in order to meet the \$250.00 minimum invoice requirement. All orders are subject to credit approval by the Zurn Credit Department prior to the acceptance of an order. Orders may be refused, delivery may be withheld, or shipment stopped in transit without any liability on Zurn's part at Zurn's sole discretion based upon Buyer's credit worthiness as determined by Zurn.

FREIGHT

All sales are F.O.B. seller's location. Zurn will allow full freight allowance when any of the following conditions are met: 1) Plumbing Fixtures only orders totaling \$10,000 or more; 2) Zurn One Systems orders of \$7,500 or more; 3) Any combination of Linear Drainage and/or Stainless Drains orders of \$5,000 or more; 4) Any combination of Specification Drainage, Finish Plumbing, and/or Zurn Wilkins of \$5,000 or more; 5) Commercial Drainage only orders of \$3,500 or more; 6) PEX orders of \$3,000 or more. This full freight allowance applies when the shipment is within the continental United States and has a single destination of a Buyer's standard address or job location. Routing of shipment shall be determined at the sole discretion of Zurn. Shipping dates are estimates and time of delivery shall not be of the essence of this sale contract. Under no circumstances will the Seller have any responsibility on account of any delays in manufacture, transportation, or otherwise. Terms of Export Shipment on application.

NOTE: Shipments in excess of 90" long or 3,000 lbs may be subject to additional charges, and shall be defined as an oversized and/or overweight product and Zurn's standard FFA terms may not apply. Please contact our Customer Service Department for guidance on potential additional shipping charges. This new policy supersedes any existing agreements.

These charges and restrictions apply in addition to Zurn standard terms and conditions for sale unless otherwise agreed upon by the parties.

LIMITED WARRANTY

Zurn goods sold hereunder are warranted to be free from defects in material and factory workmanship for the period of time from the date of purchase: AquaVantage® Flush Valves, AquaFlush® Flush Valves, Commercial Fixtures, Faucets, Showers, and Tubular Brass: three years; Chemical Drainage, Linear Drainage, Commercial Drainage, Specification Drainage, Zurn Wilkins, and Flush Valve, Faucets, and Tubular Brass decorative finishes: one year; PHIX® Cartridge: ten years; FOG-ceptor®: thirty years. Where permitted by law, **THE IMPLIED WARRANTY OF MERCHANTABILITY IS LIMITED TO THE ABOVE IDENTIFIED PERIOD OF TIME AND SHALL BE LIMITED SOLELY TO THE REPLACEMENT OF THE DEFECTIVE GOODS.** A damaged/broken test cock or ball valve is not considered defective. Please contact Zurn Customer Care for assistance.

Zurn will replace goods at no cost that prove defective provided Zurn is notified in writing of such defect and the goods are returned prepaid at the specified Zurn location with evidence that they have been properly maintained and used in accordance with instructions. **ZURN SHALL NOT BE RESPONSIBLE FOR ANY LABOR CHARGES OR ANY LOSS, INJURY, OR DAMAGES WHATSOEVER, INCLUDING, BUT NOT LIMITED TO, INCIDENTAL OR CONSEQUENTIAL DAMAGES.** The sole and exclusive remedy shall be limited to the replacement of the defective goods. Before installation and use, the purchaser shall determine the suitability of the product for his intended use and the purchaser assumes all risk and liability whatever in the connection therewith. All weights stated in Zurn catalogs and lists are approximate and are not guaranteed.

RETURNED GOODS

Standard cataloged material may be returned only with the written permission of Zurn. Returned goods are subject to a 25% restocking charge of total saleable material returned, plus the cost of reconditioning, if necessary, to make material sellable. Transportation charges are the responsibility of the Buyer. Credit allowance will be in the form of merchandise credit only – not cash credit. The value of the return must total at least \$100.00 to qualify for credit allowance. No credit will be allowed for parts unless originally ordered and invoiced as parts. No credit will be allowed for discontinued or made-to-order items. Items that have been specially made are not subject to return or cancellation except by special negotiation. Material must be returned within one year of invoice date for credit to be issued for Commercial Fixtures, Flush Valve Products, Specification Drainage, Tubular Brass, Zurn Wilkins, Chemical Drainage, Linear Drainage, and Commercial Drainage. No credit is allowed for Linear Drainage products that have been cut and Specification Drainage product with auxiliary tapings. Flush Valve material over one year old will be subject to a 50% handling charge. Flush Valve material over five years old will not be accepted. Commercial Drainage and Specification Drainage galvanized material will be credited at value of Dura-Coated cast iron, and chrome-plated at value of bronze. Zurn Wilkins damaged/broken test cocks or ball valves are not considered defective.

ILLUSTRATIONS OF TYPICAL INSTALLATIONS

The typical installations for various products found in each product section are intended to illustrate the products and potential options for the use of these products. Under no circumstances are they to be construed as recommended installation procedures. Consult local codes and project specifications for proper installation instructions.

SHORTAGE/DAMAGE CLAIMS

Notification of material shortages or incorrect filling of orders must be made to Zurn within 10 days of receipt. No claims over three months old will be honored. Buyer agrees to make all complaints for damage in transit or "short count" directly to the carrier; before the contents are unloaded have the carrier agent's acknowledgment of such damage noted on the bill of lading and to present to the carrier its agent's acknowledgment of such damaged material with formal claim covering said damage.

GENERAL

Zurn reserves the right to make changes in design or equipment of any item or product without incurring any obligation on previously sold items, and to discontinue items at any time, without notice. Possession of this Catalog or other sales literature is not to be construed as an offer to sell. All orders are subject to acceptance by Zurn. Catalog printed in U.S.A.

Zurn flush valves are designed to comply with Army Corp of Engineers and Naval guide specifications, Military Specification MIL.V.29193 and Federal Specification WWP541.

Zurn flush valves comply with the following standards: ASME A112.18.1/CSA B125.1, A112.19.5, A112.19.2, A112.19.6, ASSE 1037 and 101 are listed by the following agencies: Canadian Standards, IAPMO/UPC/CUPC, and CSA 125.3. Zurn flush valves are manufactured from dezincification resistant alloys. For additional compliances, contact Zurn Industries, LLC, Finish Plumbing Operation, or 1-800-997-3876.

Zurn is not responsible for typographical errors. The contents of this guide are subject to revision without notice.

© 2022 Zurn Industries, LLC Items in this guide may be covered by U.S. and foreign Patents and Patents Pending. Registered Trademarks.

ZURN TERMS AND CONDITIONS

Zurn Terms and Conditions for Canada

PRICE AND TERMS OF PAYMENT

Terms are net, payable 30 days from date of invoice. Zurn Credit must be identified of potential pricing errors within 30 days of invoice date. Shortage claims must be reported within 10 working days of receiving product to your local Zurn Rep or Zurn Customer Care. The Buyer shall pay all sales, consumers, or other applicable taxes. A 1-1/2% monthly (18% annual) service charge will be added to the outstanding balance of all past due invoices.

Minimum invoice \$100.00. Zurn Industries, LLC ("Zurn") reserves the right to apply a minimum order charge in order to meet the \$100.00 minimum invoice requirement. All orders are subject to credit approval by the Zurn Credit Department prior to the acceptance of an order. Orders may be refused, delivery may be withheld, or shipment stopped in transit without any liability on Zurn's part at Zurn's sole discretion based upon Buyer's credit worthiness as determined by Zurn.

FREIGHT

Zurn Canada is pleased to provide an industry-leading \$3,500 combined prepaid freight amount, not including Zurn Green Turtle product sales.

All sales are F.O.B. seller's location. Routing of shipment shall be determined at the sole discretion of Zurn. Shipping dates are estimates and time of delivery shall not be of the essence of this sale contract. Under no circumstances will the Seller have any responsibility on account of any delays in manufacture, transportation, or otherwise.

NOTE: Any product dimension larger than 92" or any single item weighing more than 3,500 lb, shall be defined as an oversized and/or overweight product and Zurn's standard FFA terms may not apply. Please contact our customer service department for guidance on potential additional shipping charges.

These charges and restrictions apply in addition to Zurn standard terms and conditions for sale unless otherwise agreed upon by the parties.

LIMITED WARRANTY

Zurn goods sold hereunder are warranted to be free from defects in material and factory workmanship for the period of time from the date of purchase: AquaVantage® Flush Valves, AquaFlush® Flush Valves, Commercial Fixtures, Faucets, Showers, and Tubular Brass: three years; Chemical Drainage, Trench Drainage, Commercial Drainage, Specification Drainage, Zurn Wilkins, and Flush Valve and Tubular Brass decorative finishes: one year, PHIX® Cartridge ten years. Where permitted by law, **THE IMPLIED WARRANTY OF MERCHANTABILITY IS LIMITED TO THE ABOVE IDENTIFIED PERIOD OF TIME AND SHALL BE LIMITED SOLELY TO THE REPLACEMENT OF THE DEFECTIVE GOODS.** A damaged/broken test cock or ball valve is not considered defective. Please contact Zurn Customer Care for assistance.

Zurn will replace goods at no cost that prove defective provided Zurn is notified in writing of such defect and the goods are returned prepaid at the specified Zurn location with evidence that they have been properly maintained and used in accordance with instructions. **ZURN SHALL NOT BE RESPONSIBLE FOR ANY LABOR CHARGES OR ANY LOSS, INJURY, OR DAMAGES WHATSOEVER, INCLUDING, BUT NOT LIMITED TO, INCIDENTAL OR CONSEQUENTIAL DAMAGES.** The sole and exclusive remedy shall be limited to the replacement of the defective goods. Before installation and use, the purchaser shall determine the suitability of the product for his intended use and the purchaser assumes all risk and liability whatever in the connection therewith. All weights stated in Zurn catalogs and lists are approximate and are not guaranteed.

RETURNED GOODS

Standard cataloged material may be returned only with the written permission of Zurn. Returned goods are subject to a 25% restocking charge of total saleable material returned, plus the cost of reconditioning, if necessary, to make material sellable. Transportation charges are the responsibility of the Buyer. The value of the return must total at least \$100.00 to qualify for credit allowance. No credit will be allowed for parts unless originally ordered and invoiced as parts. No credit will be allowed for discontinued or made-to-order items. Items that have been specially made are not subject to return or cancellation except by special negotiation. Material must be returned within one year of invoice date for credit to be issued. Commercial Drainage and Specification Drainage galvanized material will be credited at value of Dura-Coated cast iron, and chrome plated at value of bronze. Zurn Wilkins damaged/broken test cocks or ball valves are not considered defective.

ILLUSTRATIONS OF TYPICAL INSTALLATIONS

The typical installations for various products found in each product section are intended to illustrate the products and potential options for the use of these products. Under no circumstances are they to be construed as recommended installation procedures. Consult local codes and project specifications for proper installation instructions.

SHORTAGE/DAMAGE CLAIMS

Notification of material shortages or incorrect filling of orders must be made to Zurn within 10 days of receipt. No claims over three months old will be honored. Buyer agrees to make all complaints for damage in transit or "short count" directly to the carrier; before the contents are unloaded have the carrier agent's acknowledgment of such damage noted on the bill of lading and to present to the carrier its agent's acknowledgment of such damaged material with formal claim covering said damage.

GENERAL

Zurn reserves the right to make changes in design or equipment of any item or product without incurring any obligation on previously sold items, and to discontinue items at any time, without notice. Possession of this Catalog or other sales literature is not to be construed as an offer to sell. All orders are subject to acceptance by Zurn. Catalog printed in U.S.A.

Zurn flush valves are designed to comply with Army Corp of Engineers and Naval guide specifications, Military Specification MIL.V.29193 and Federal Specification WWP541.

Zurn flush valves comply with the following standards: ASME A112.18.1/CSA B125.1, A112.19.5, A112.19.2, A112.19.6, ASSE 1037 and 101 are listed by the following agencies: Canadian Standards, IAPMO/UPC/CUPC, and CSA 125.3. Zurn flush valves are manufactured from dezincification resistant alloys. For additional compliances, contact Zurn Industries, LLC, Commercial Brass Operation, or 1-800-997-3876.

Zurn is not responsible for typographical errors. The contents of this guide are subject to revision without notice.

© 2022 Zurn Industries, LLC Items in this guide may be covered by U.S. and foreign Patents and Patents Pending. Registered Trademarks.

by  Water Solutions

ZURN INDUSTRIES, LLC Finish Plumbing Operation

5900 Elwin Buchanan Drive, Sanford, NC 27330, 855.663.9876

In Canada: **ZURN INDUSTRIES LIMITED**

7900 Goreway Drive, Unit 10, Brampton, Ontario L6T 5W6, 877.892.5216

Form No. 240-238, 11/21

US 1.855.ONE.ZURN CANADA 1.877.892.5216 [ZURN.COM](https://www.zurn.com)