

MODEL 350DA



Double Check Detector Assembly – Backflow Preventers 2-1/2" to 3"

Repair Kit Components		2-1/2"		2-1/2" and 3"						3"
Item #	Item Description	212-BK	RK212-350	RK212-350DA	RK212-350CK1	RK212-350DACK2	RK212-350-COVERPLATE	BRK212-300-SEAT1-RTNR	BRK212-300-SEAT2-RTNR	3-BK
1	Bolt, Flange	•(x8)								•(x8)
2	Nut, Flange	•(x8)								•(x8)
3	Gasket, Flange	•(x2)								•(x2)
4	O-Ring, Cover Plate						•			
5	Cover Plate						•			
6	Bolt, Cover Plate						•(x2)			
7	Seat Retainer #1				•			•(x6)		
8	Seat Retainer #2					•			•(x6)	
9	O-Ring, Seat		•(x2)	•(x2)	•	•				
10	Nut, Poppet Retainer				•	•				
11	Washer, #1 Check				•					
12	Washer, #2 Check					•				
13	O-Ring, Stem		•(x2)	•(x2)	•	•				
14	Poppet Retainer				•	•				
15	Seal Ring		•(x2)	•(x2)	•	•				
16	Seat Assembly, #1 Poppet				•					
17	Seat Assembly, #2 Poppet				•					
	Bypass Rubber Repair Kit		•							

Whole Goods (Available for individual sale)

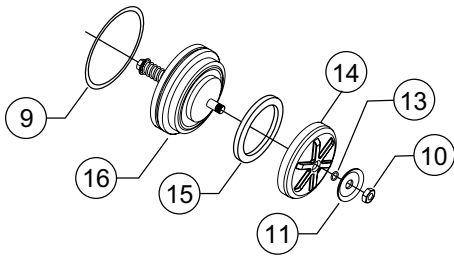
Item #	Item Description	2-1/2"	3"
18	Gate Valve, OS&Y (FxF)	212-480SY	3-480SY
	Gate Valve, OS&Y (GxF)	212-480SYGXF	3-480SYGXF
	Gate Valve, Post Indicator (FxF)	212-48PIV	3-48PIV
	Gate Valve, Post Indicator (FxG)	212-48PIVGXF	3-48PIVGXF
	Butterfly Valve (GxF)	212-49GXF	3-49GXF
19	Ball Valve, FxF		12-850XL
20	Ball Valve, MxF		12-850MXL
21	Cover Retainer Assembly		5-23
22	Bulkhead Fittings		BHFICXL-100
23	Sensing Line Bulkhead Fittings		BHFIBXL-100
24	Cover		RK212-LBF-VLV-COVER
25	Water Meter		557-54XL
26	Bypass Valve		34-950XLD
27	Bypass Assembly		RK212-350DA-BP-LM
	Bypass Rubber Repair Kit		RK34-950XLR

Item No.	Repair Kit Description
2-1/2"	
212-BK	Flanged Kit, 2-1/2"
2-1/2" and 3"	
RK212-350	Main Valve Rubber Repair Kit, 2-1/2" and 3" 350DA
RK212-350DA	Complete Rubber Repair Kit, 2-1/2" and 3" 350DA
RK212-350CK1	#1 Check Assembly Repair Kit, 2-1/2" and 3" 350DA
RK212-350DACK2	#2 Check Assembly Repair Kit, 2-1/2" and 3" 350DA
RK212-350-COVERPLATE	Cover Plate Repair Kit, 2-1/2" and 3" 350DA
BRK212-300-SEAT1-RTNR	#1 Check Seat Retainer Bulk Kit, 2-1/2" and 3" 350DA
BRK212-300-SEAT2-RTNR	#2 Check Seat Retainer Bulk Kit, 2-1/2" and 3" 350DA
3"	
3-BK	Flanged Kit, 3"

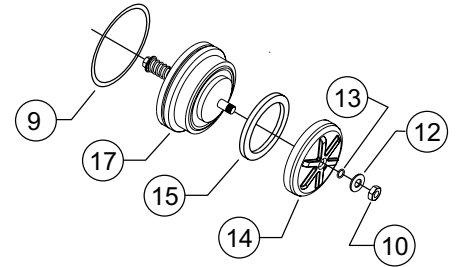
MODEL 350DA

Double Check Detector Assembly – Backflow Preventers 2-1/2" to 3"

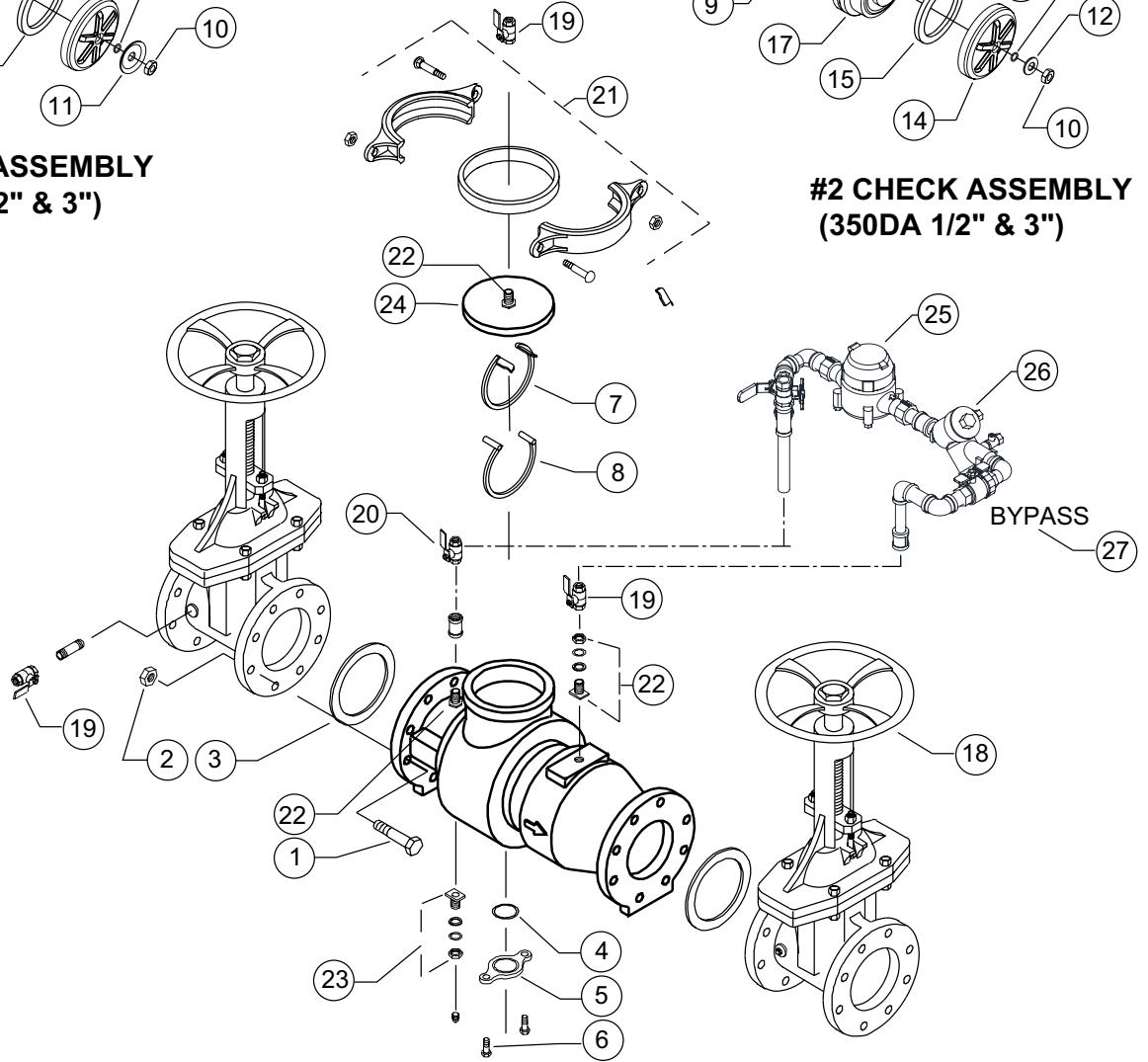
Parts Drawing



**#1 CHECK ASSEMBLY
(350DA 2 1/2" & 3")**



**#2 CHECK ASSEMBLY
(350DA 1/2" & 3")**



**MODEL 350DA
(2 1/2" - 3")**