

# MODEL 375DA



## Reduced Pressure Detector Assembly – Backflow Preventers 2-1/2" to 3"

Repair Kit Components		2-1/2"	2-1/2" and 3"									3"
Item #	Item Description	212-BK	RK212-350	RK212-350DA	RK212-375DAC	RK212-375CK1	RK212-350DACK2	RK212-RV375-HOSE	RK212-RV-ASSY	BRK212-300-SEAT1-RTNR	BRK212-300-SEAT2-RTNR	3-BK
1	Bolt, Flange	•(x8)										•(x8)
2	Nut, Flange	•(x8)										•(x8)
3	Gasket, Flange	•(x2)										•(x2)
4	O-Ring, Relief Valve								•			
5	Relief Valve Assembly								•			
6	Bolt, Relief Valve								•(x2)			
7	Seat Retainer #1					•				•(x6)		
8	Seat Retainer #2						•				•(x6)	
9	O-Ring, Seat		•(x2)	•(x2)	•(x2)	•	•					
10	Nut, Poppet Retainer					•	•					
11	Washer, #1 Check					•						
12	Washer, #2 Check						•					
13	O-Ring, Stem		•(x2)	•(x2)	•(x2)	•	•					
14	Poppet Retainer					•	•					
15	Seal Ring		•(x2)	•(x2)	•(x2)	•	•					
16	Seat Assembly, #1 Poppet					•						
17	Seat Assembly, #2 Poppet						•					
18	Sensing Tube Fitting, Relief Valve Cover							•	•			
19	Sensing Tube Fitting, Body							•				
20	Sensing Tube							•				
	Bypass Rubber Repair Kit			•	•							
	Relief Valve Rubber Repair Kit				•							

### Whole Goods (Available for individual sale)

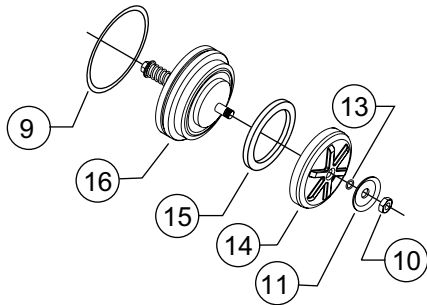
Item #	Item Description	2-1/2"	3"
21	Gate Valve, OS&Y (FxF)	212-48OSY	3-48OSY
	Gate Valve, OS&Y (GxF)	212-48OSYGXF	3-48OSYGXF
	Gate Valve, Post Indicator (FxF)	212-48PIV	3-48PIV
	Gate Valve, Post Indicator (GxF)	212-48PIVGXF	3-48PIVGXF
	Butterfly Valves (GxF)	212-49GXF	3-49GXF
22	Ball Valve, FxF	12-850XL	12-850XL
23	Ball Valve, MxF	12-850MXL	12-850MXL
24	Cover Retainer Assembly		6-23
25	Bulkhead Fitting		BHFICXL-100
26	Sensing Bulkhead Fitting		BHFIBXL-100
27	Cover		RK212-LBF-VLV-COVER
28	Water Meter		557-54XL
29	Bypass Valve		34-975XLD
30	Bypass Assembly		RK212-375DA-BP-LM
	Bypass Rubber Repair Kit		RK34-975XLR
	Relief Valve Rubber Repair Kit		RK212-375R

Item No.	Repair Kit Description
212-BK	Flanged Kit, 2-1/2"
	2-1/2" and 3"
RK212-350	Main Valve Rubber Repair Kit, 2-1/2" and 3" 375DA
RK212-350DA	Main Valve and Bypass Rubber Repair Kit, 2-1/2" and 3" 375DA
RK212-375DAC	Complete Rubber Repair Kit, 2-1/2" and 3" 375DA
RK212-375CK1	First Check Assembly Repair Kit, 2-1/2" and 3" 375DA
RK212-350DACK2	Second Check Assembly Repair Kit, 2-1/2" and 3" 375DA
RK212-RV375-HOSE	Relief Valve Hose Repair Kit, 2-1/2" and 3" 375DA
RK212-RV-ASSY	Complete Relief Valve Repair Kit, 2-1/2" and 3" 375DA
BRK212-300-SEAT1-RTNR	#1 Check Seat Retainer Bulk Kit, 2-1/2" and 3" 375DA
BRK212-300-SEAT2-RTNR	#2 Check Seat Retainer Bulk Kit, 2-1/2" and 3" 375DA
	3"
3-BK	Flanged Kit, 3"

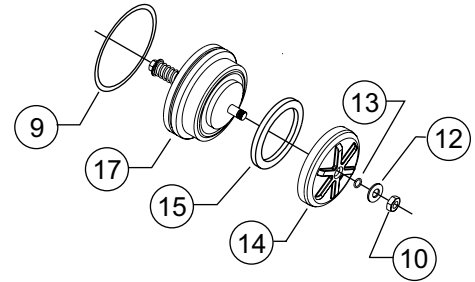
# MODEL 375DA

Reduced Pressure Detector Assembly – Backflow Preventers 2-1/2" to 3"

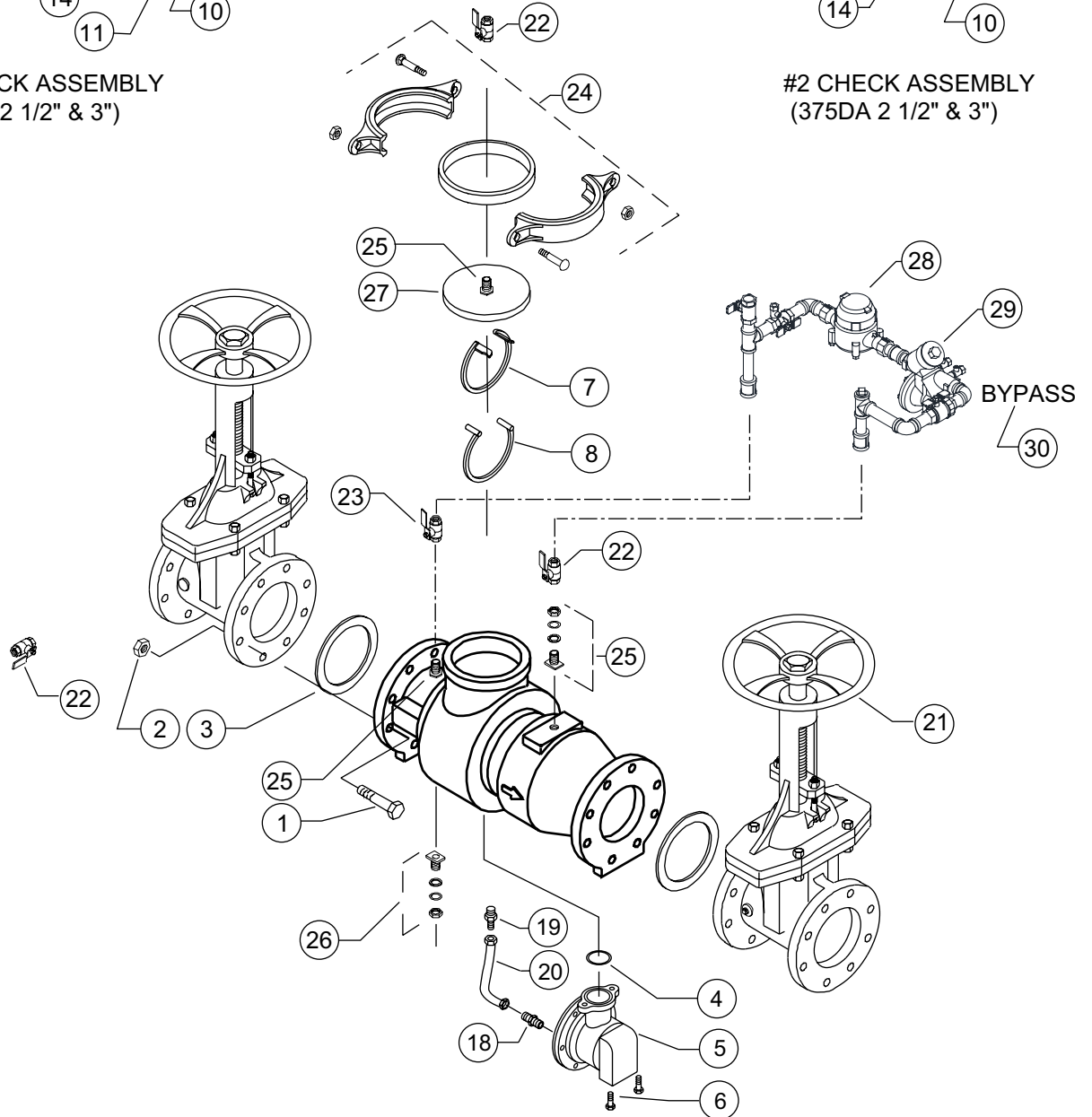
Parts Drawing



#1 CHECK ASSEMBLY  
(375DA 2 1/2" & 3")



#2 CHECK ASSEMBLY  
(375DA 2 1/2" & 3")



MODEL 375DA  
(2 1/2"-3")